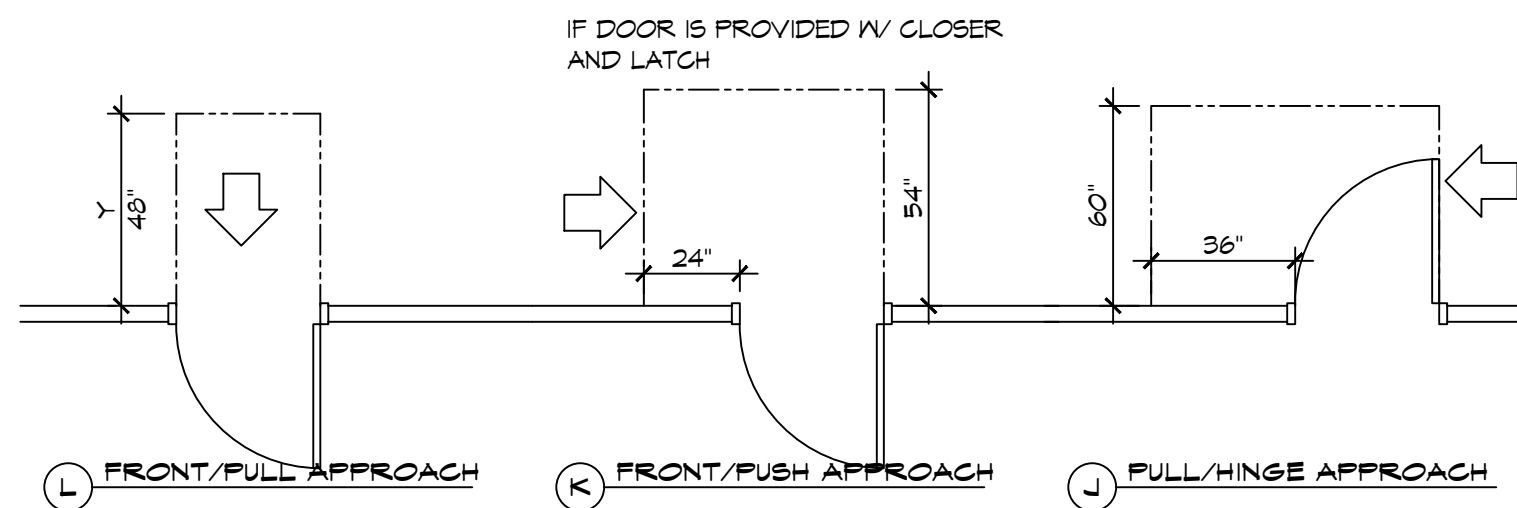
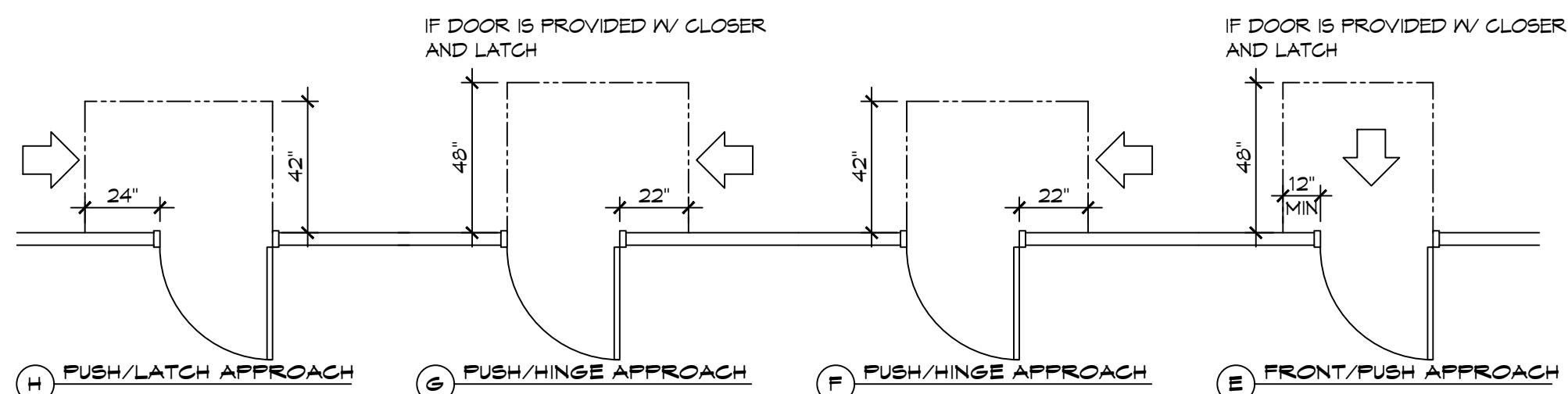


5 ACCESSIBLE SIGN

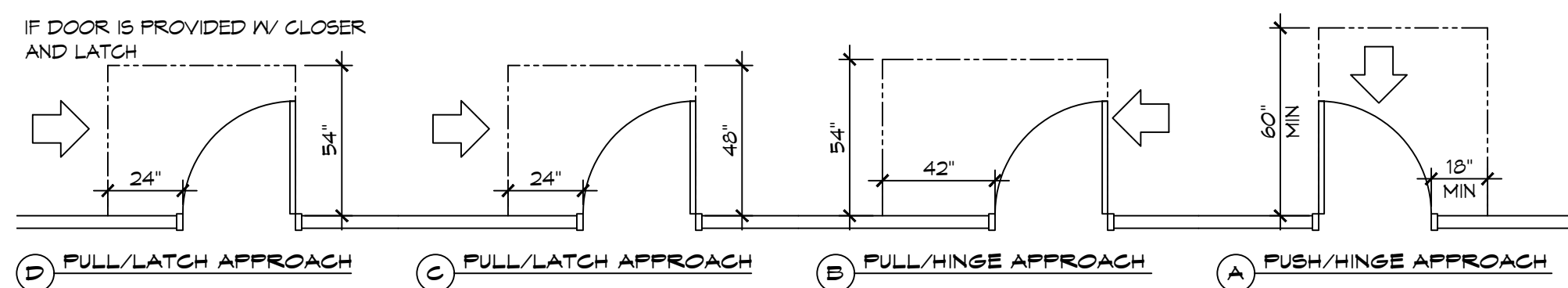
SCALE: NTS



6 FRONT/FULL APPROACH 7 FRONT/PUSH APPROACH 8 FULL/HINGE APPROACH



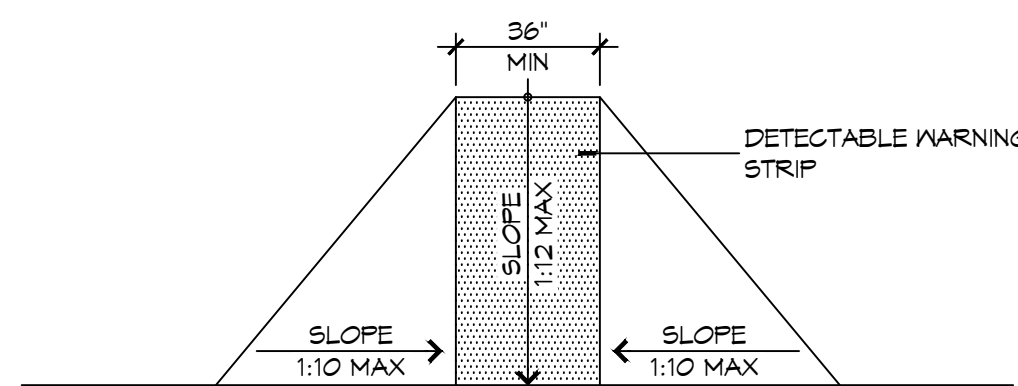
9 PUSH/LATCH APPROACH 10 PUSH/HINGE APPROACH 11 PUSH/HINGE APPROACH 12 FRONT/PUSH APPROACH



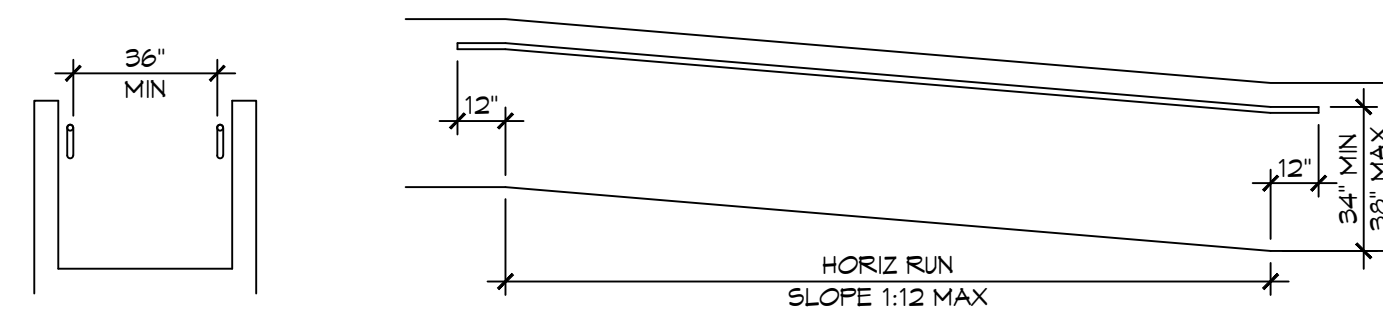
13 FULL/LATCH APPROACH 14 FULL/LATCH APPROACH 15 FULL/HINGE APPROACH 16 PUSH/HINGE APPROACH

3 ADA DOOR CLEARANCES

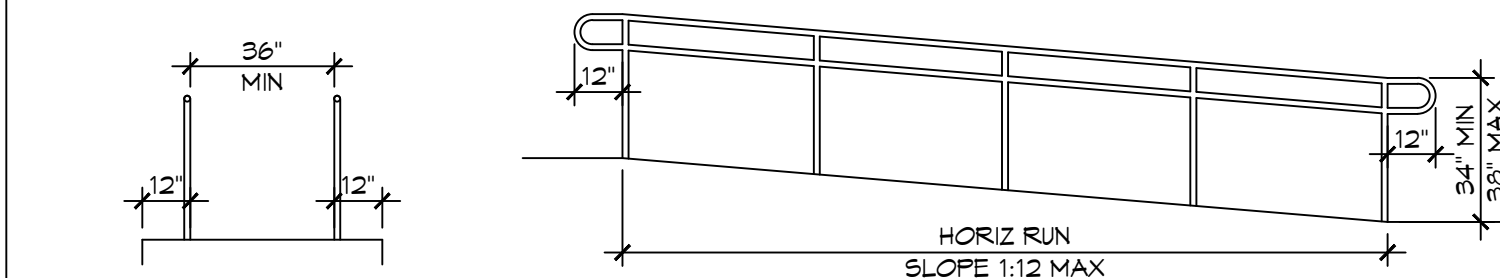
SCALE: 1/4" = 1'-0"



9 FLARED RAMPS



10 WALL EDGE PROTECTION



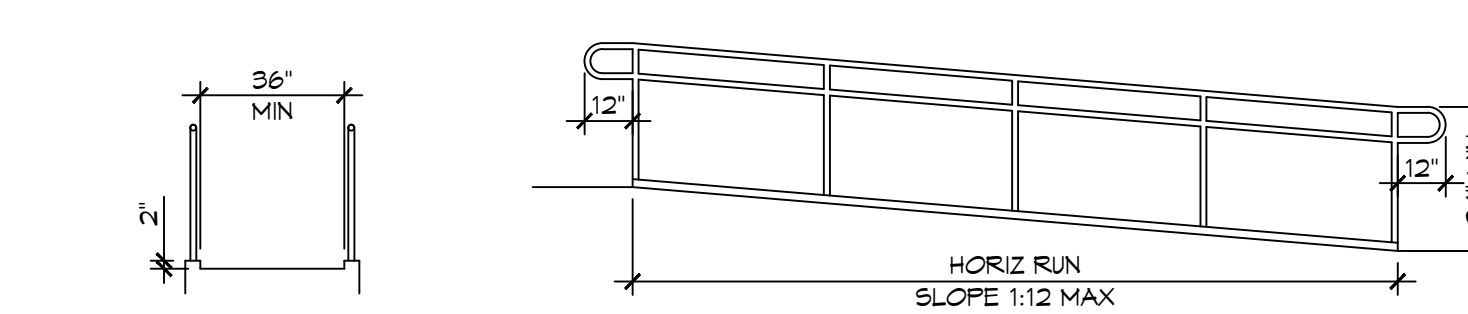
11 EXTENDED SURFACE EDGE PROTECTION

4 ACCESSIBLE RAMPS

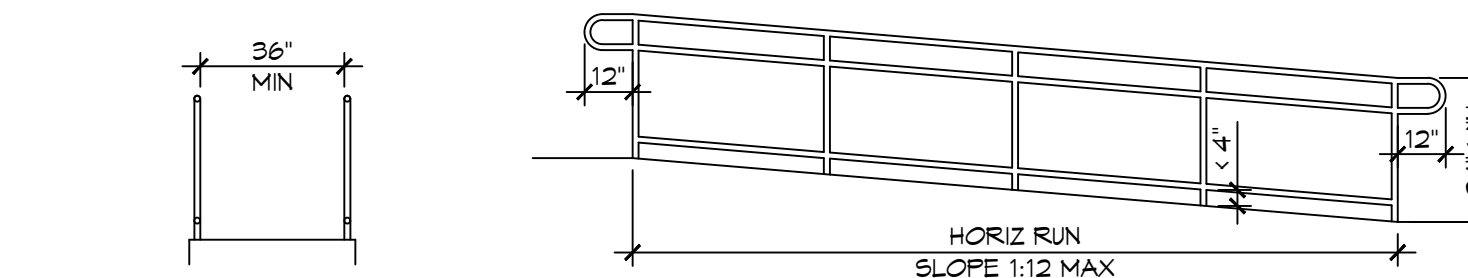
SCALE: 1/4" = 1'-0"



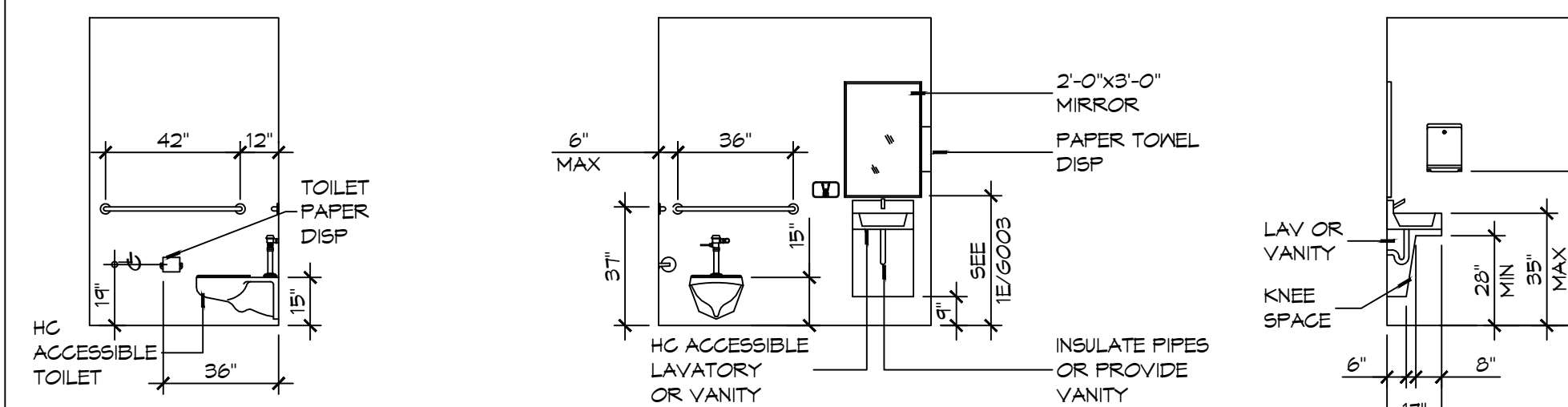
12 RAMP LANDINGS



13 CURB EDGE PROTECTION



14 BARRIER EDGE PROTECTION



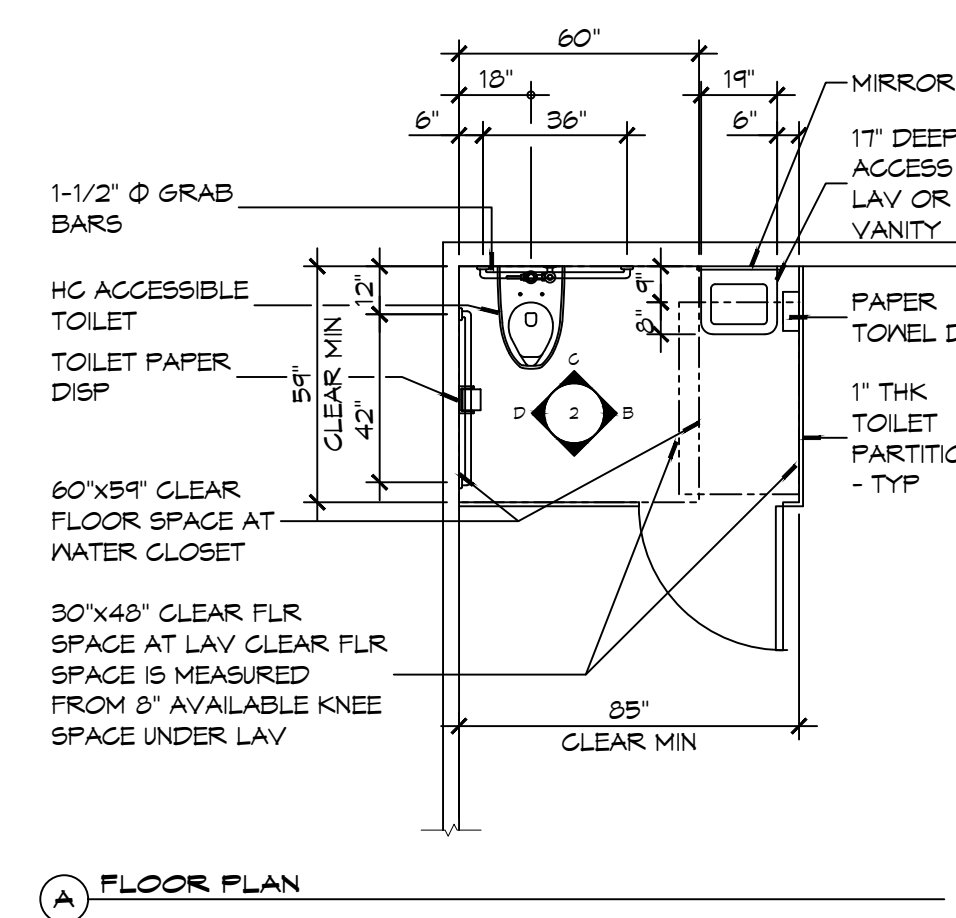
15 INTERIOR ELEVATION

16 INTERIOR ELEVATION

17 INTERIOR ELEVATION

2 RESTROOM CLEARANCES

SCALE: 1/4" = 1'-0"



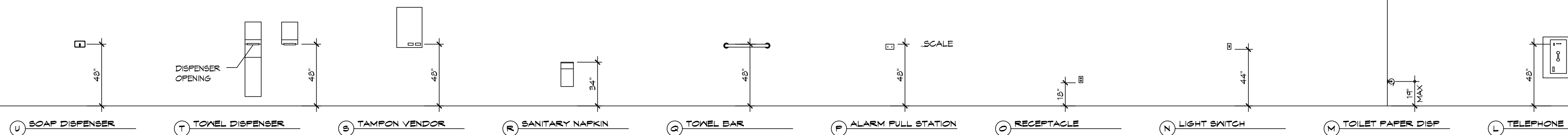
18 FLOOR PLAN

ACCESSIBILITY NOTES

- DOOR CLEARANCE NOTES**
 ALCOVES SHALL COMPLY WITH THE CLEARANCES FOR FRONT APPROACHES, 31/6003 - 3K/6003.
 DOOR HARDWARE SHALL BE LEVER TYPE.
 MAX DOOR OPENING FORCE:
 INTERIOR HINGED DOORS: 5 LBF
 EXTERIOR HINGED DOORS: 8.5 LBF
 SLIDING OR FOLDING DOORS: 5 LBF
 FIRE DOORS SHALL HAVE THE MINIMUM OPENING FORCE ALLOWABLE BY THE APPROPRIATE ADMINISTRATIVE AUTHORITY.
 HARDWARE REQUIRED FOR ACCESSIBLE DOOR PASSAGE SHALL BE MOUNTED NO HIGHER THAN 48" AND NOT LESS THAN 34" ABOVE FINISHED FLOOR.
 THE FLOOR OR GROUND AREA WITHIN THE REQUIRED CLEARANCES SHALL BE LEVEL AND CLEAR.
 THRESHOLDS AT DOORWAYS SHALL NOT EXCEED 3/4" IN HEIGHT FOR EXTERIOR SLIDING DOORS OR 1/2" FOR OTHER TYPES OF DOORS. RAISED THRESHOLDS AND FLOOR LEVEL CHANGES AT ACCESSIBLE DOORWAYS SHALL BE BEVELED WITH A SLOPE NO GREATER THAN 1:2.
 DOORWAYS SHALL HAVE A MINIMUM CLEAR OPENING OF 32" WITH THE DOOR OPEN 90°, MEASURED BETWEEN THE FACE OF THE DOOR AND THE OPPOSITE STOP. OPENINGS MORE THAN 24" IN DEPTH SHALL MAINTAIN 32" MIN CLEARANCE.
RAMP NOTES
 THE CLEAR SPACE BETWEEN THE HANDRAIL AND THE WALL SHALL BE MIN 1-1/2" CLEAR.
 GRIPPING SURFACES SHALL BE CONTINUOUS AND UNOBSTRUCTED. ENDS OF HANDRAILS SHALL BE EITHER ROUNDED OR RETURNED SMOOTHLY TO FLOOR, WALL, OR POST.
 HANDRAILS SHALL NOT ROTATE WITHIN THEIR FITTINGS.
 THE GROSS SLOPE OF RAMP SURFACES SHALL BE NO GREATER THAN 1:50.
 OUTDOOR RAMPS AND THEIR APPROACHES SHALL BE DESIGNED SO THAT WATER WILL NOT ACCUMULATE ON WALKING SURFACES.
 RAMPS AND LANDINGS WITH DROP-OFFS SHALL HAVE CURBS, WALLS, RAILINGS, OR PROJECTING SURFACES THAT PREVENT PEOPLE FROM SLIPPING OFF THE RAMP. CURBS SHALL BE A MINIMUM OF 2" HIGH.
 HANDRAILS SHALL BE PROVIDED ALONG BOTH SIDES OF RAMP SEGMENTS. THE INSIDE HANDRAIL ON SWITCHBACK OR DOSSES RAMPS SHALL ALWAYS BE CONTINUOUS.
 RAMP LANDINGS SHALL BE AT LEAST AS WIDE AS THE RAMP RUN LEADING TO IT.

GENERAL SITE ACCESSIBILITY NOTES

1. ACCESSIBILITY SIGNAGE SHALL COMPLY WITH ADAAG 2010 GUIDELINES SECTION 703.7.
2. SEE SHEET 6003 FOR ACCESSIBLE RAMP AND HANDRAIL DESIGNS WHERE THEY OCCUR.
3. ALL ACCESSIBLE PARKING SPACES AND AISLES THAT SERVE THEM SHALL COMPLY WITH ADAAG 2010 GUIDELINES SECTIONS 502.4 AND 502.5.
4. OPENINGS IN GROUND SURFACES SHALL COMPLY WITH ADAAG 2010 GUIDELINES SECTION 302.3.
5. VERTICAL CHANGES IN ELEVATION ALONG ALL ACCESSIBLE ROUTES SHALL COMPLY WITH ADAAG 2010 GUIDELINES SECTIONS 303.2, 303.3, AND 303.4.
6. PARKING SPACES DESIGNATED AS ACCESSIBLE SHALL INCLUDE THE INTERNATIONAL SYMBOL OF ACCESSIBILITY COMPLYING WITH ADAAG 2010 GUIDELINES SECTIONS 703.7.1.1 AND 502.6.
7. ALL ACCESSIBLE PARKING SPACES AND ROUTES SERVING THEM SHALL HAVE A ROUGH, SLIP-RESISTANT SURFACE OR LIGHT BROOM FINISH IN COMPLIANCE WITH ADAAG 2010 GUIDELINES SECTION 302.1.



19 SOAP DISPENSER

20 TOWEL DISPENSER

21 TAMPON VENDOR

22 SANITARY NAPKIN

23 TOWEL BAR

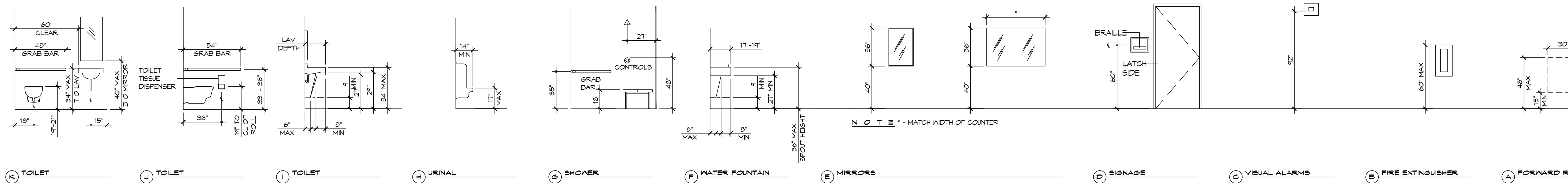
24 ALARM PULL STATION

25 RECEPTACLE

26 LIGHT SWITCH

27 TOILET PAPER DISP

28 TELEPHONE



29 TOILET

30 TOILET

31 TOILET

32 URINAL

33 SHOWER

34 WATER FOUNTAIN

35 MIRRORS

36 SIGNAGE

37 VISUAL ALARMS

38 FIRE EXTINGUISHER

39 FORWARD REACH

1 MOUNTING HEIGHTS

SCALE: 1/4" = 1'-0"

ACCESSIBILITY INFORMATION

GOOB

JMS

SRD