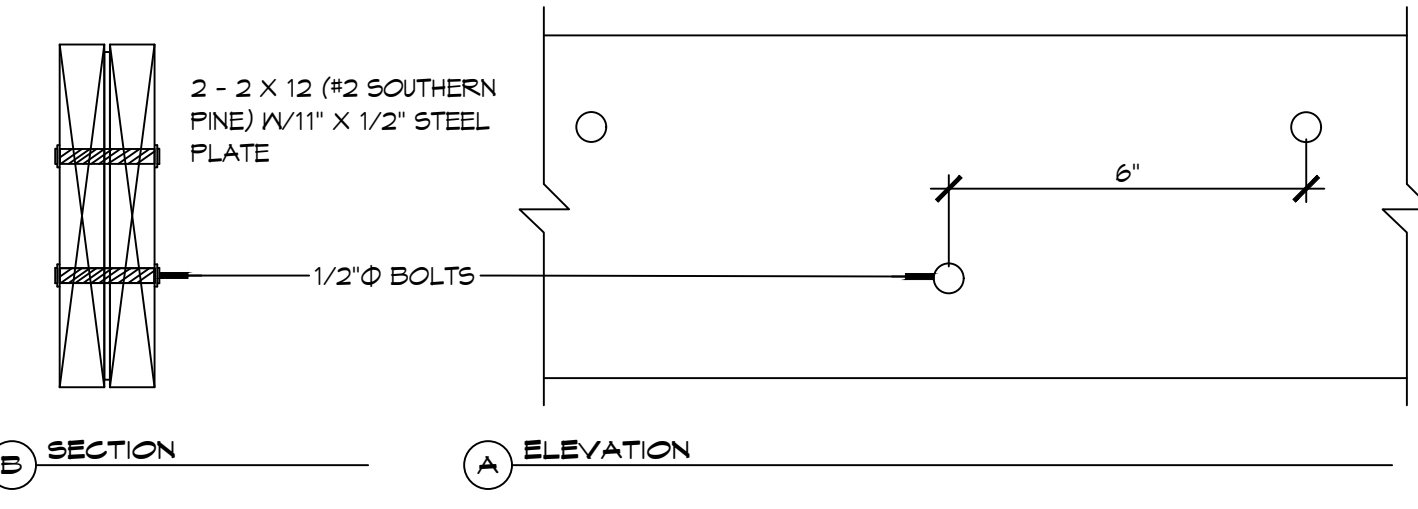
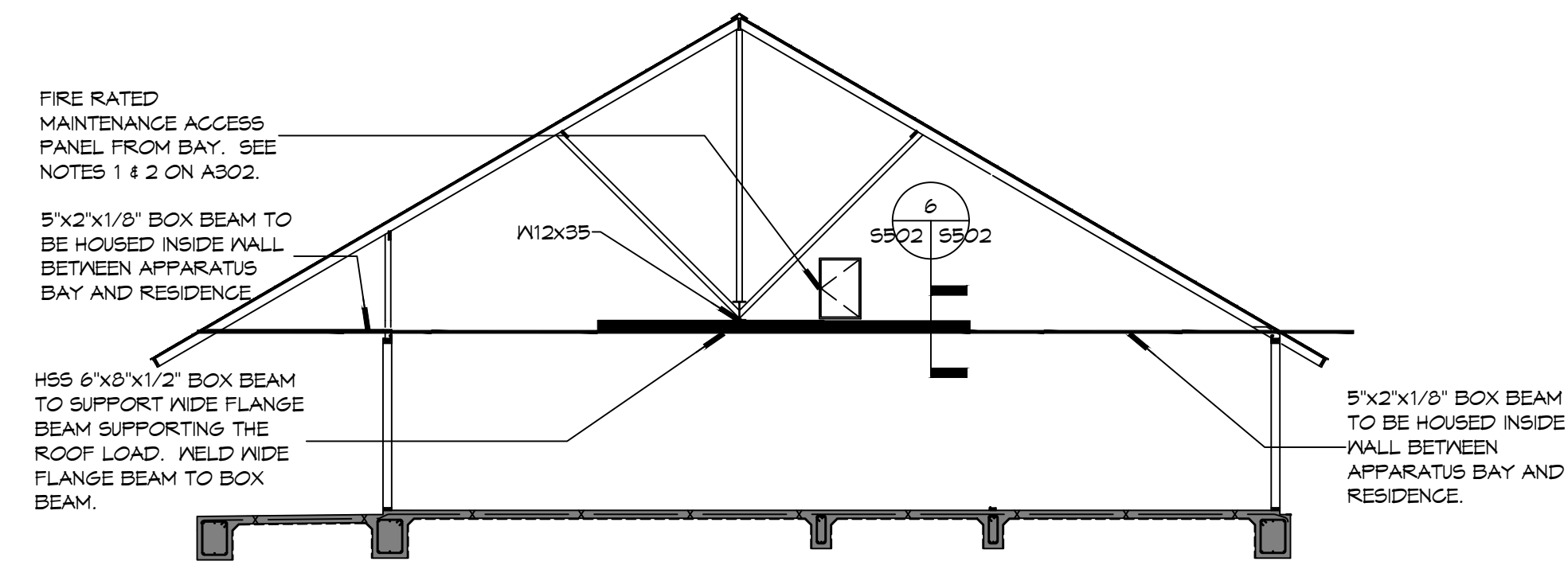


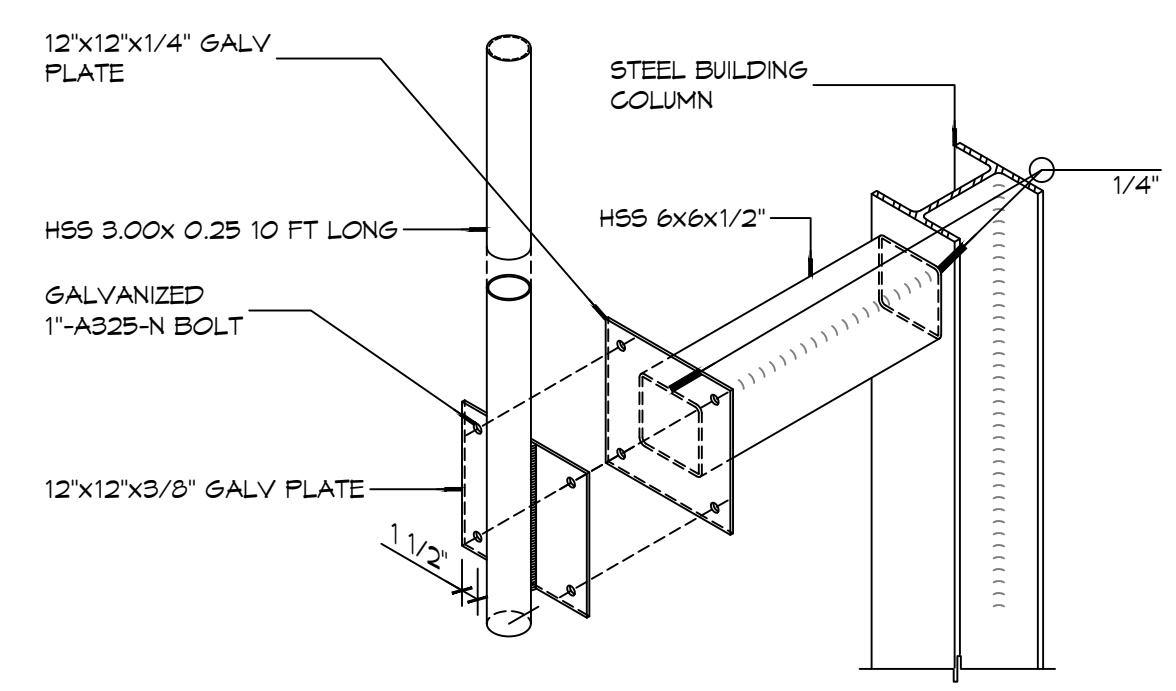
FILE NAME: J:\1 - Dammon\0319 - Fire Station #10\0319-Struct\0319-Struct.dwg, PLOT DATE: 12/05/2025, PLOT TIME: 12:05:20, PLOT SCALE: 1/8"=1'-0"



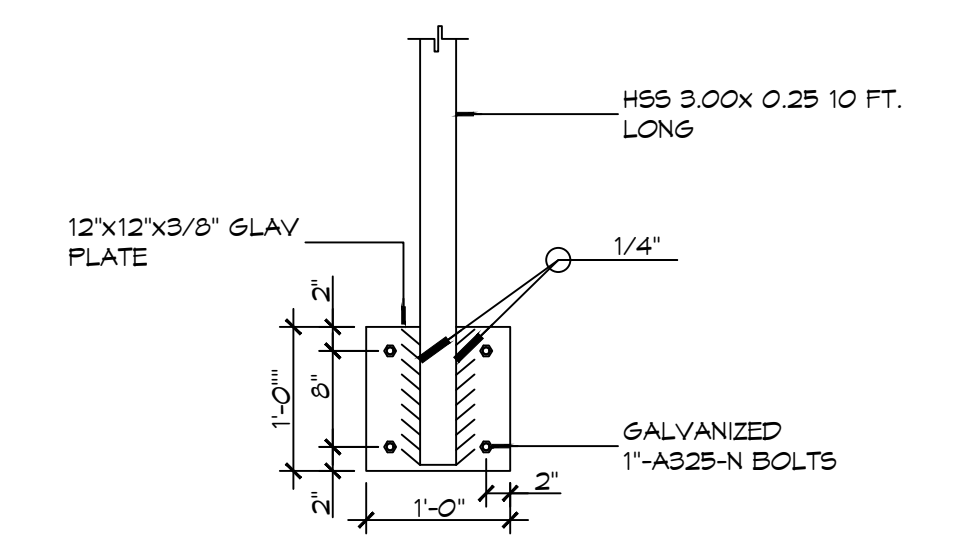
10 DETAILS
 SCALE: NTS
 FLITCH BEAM



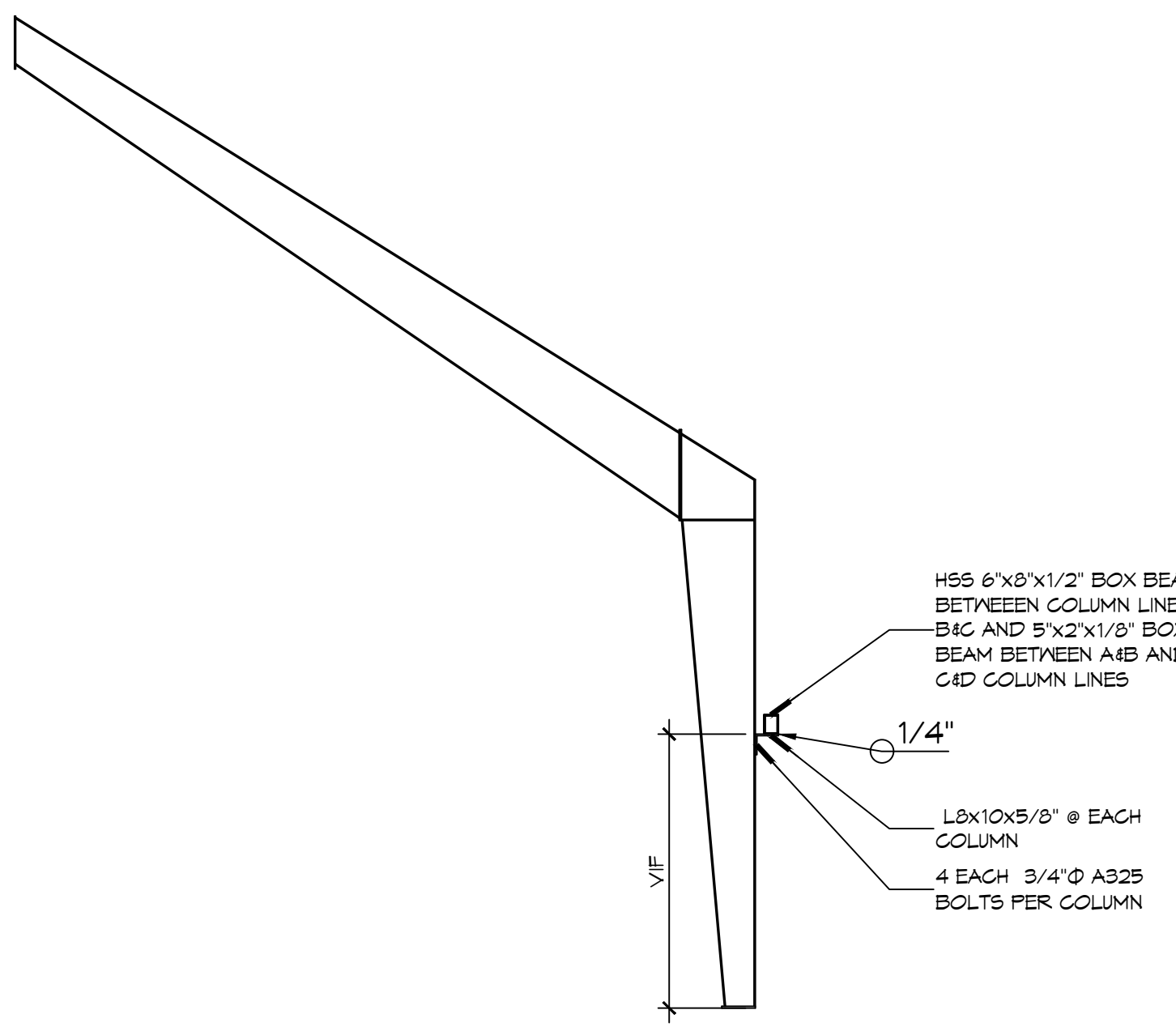
9 DETAIL
 SCALE: NTS
 RESIDENCE DETAIL AT APPARATUS BAY WALL



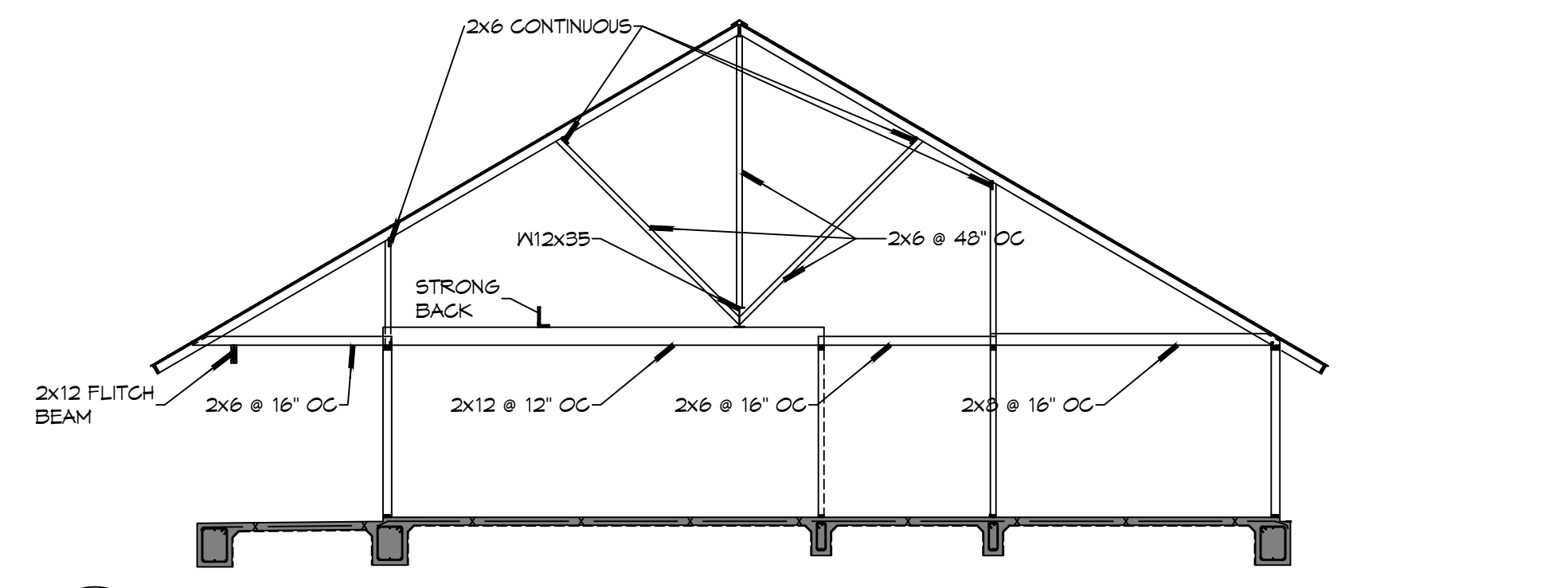
8 DETAILS
 SCALE: 3/16" = 1'-0"
 ANTENNA SUPPORT



8 DETAIL ELEVATION
 ANTENNA SUPPORT



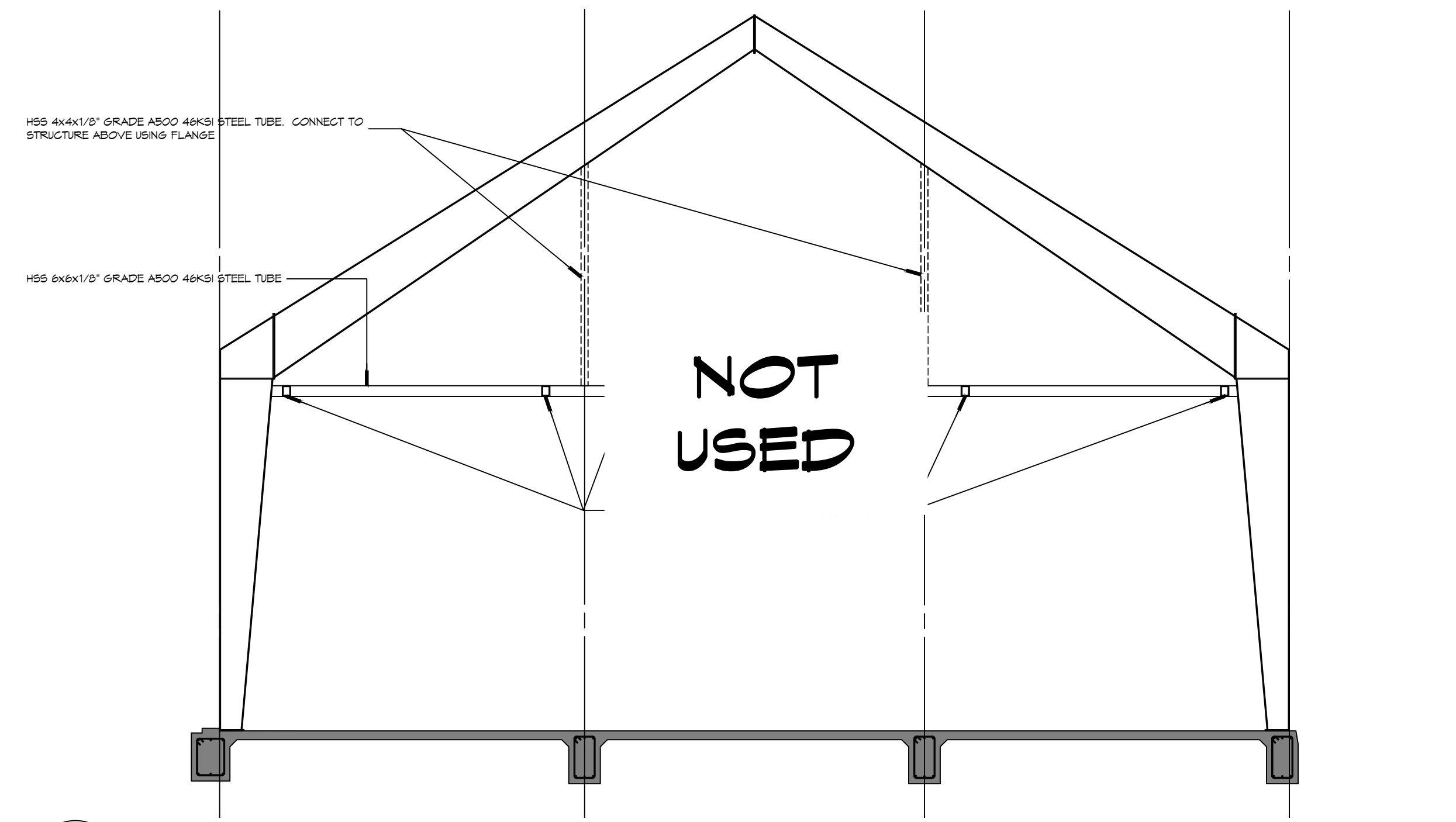
6 DETAIL
 SCALE: NTS
 BRICK LINTEL



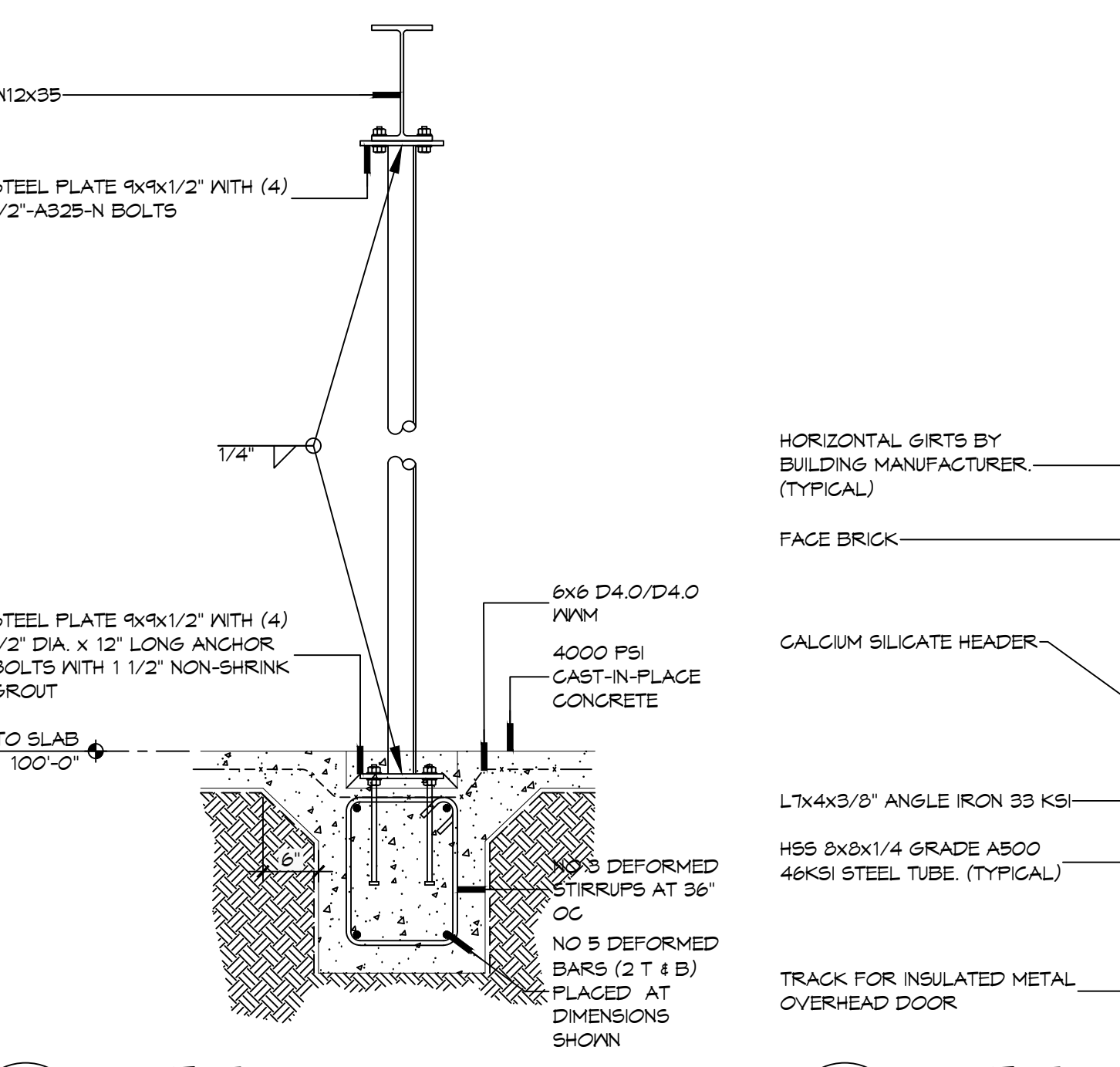
7 DETAIL
 SCALE: NTS
 RESIDENCE DETAIL



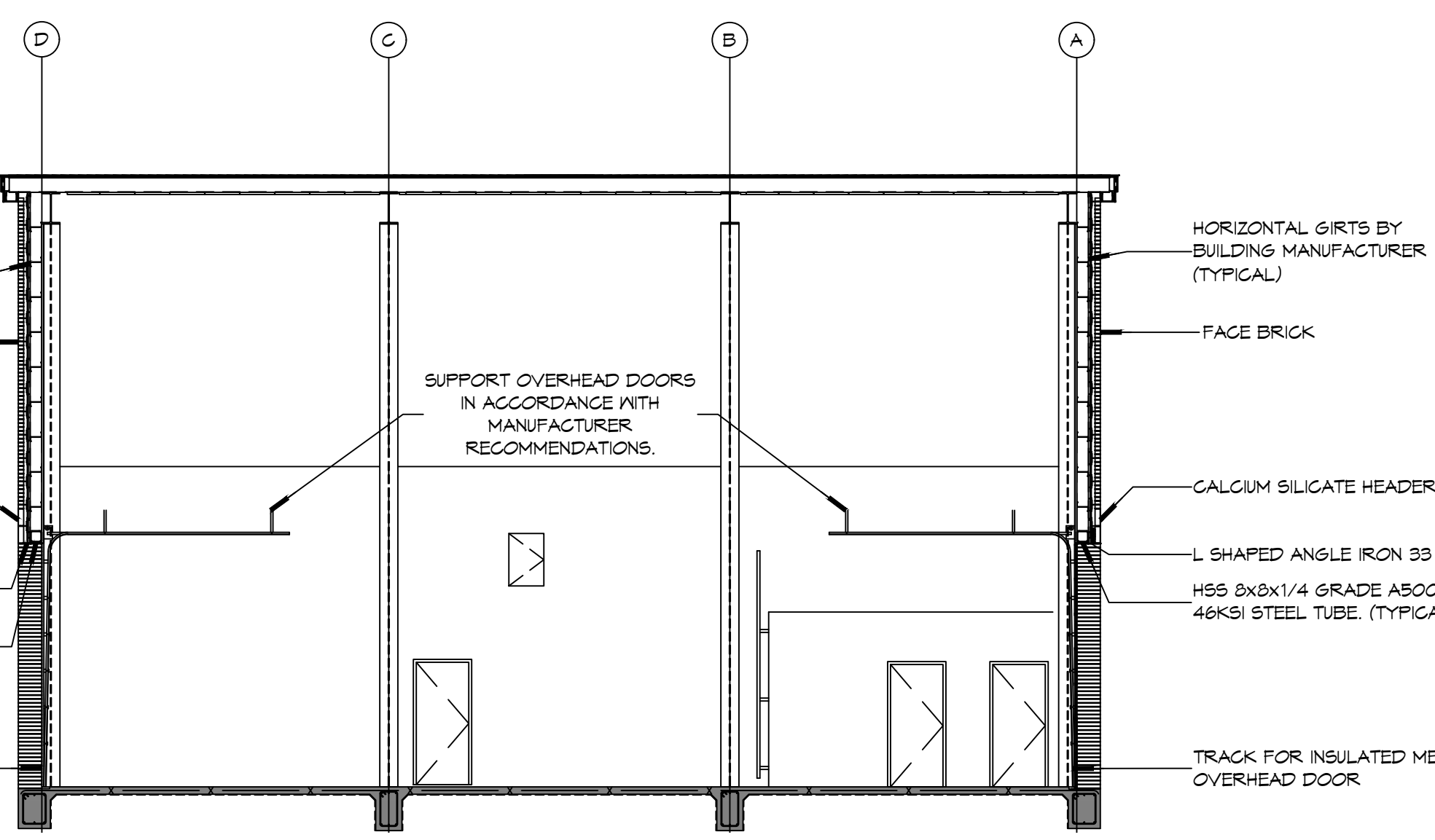
5 DETAILS
 SCALE: NTS
 OVERHEAD DOOR STRUCTURE DETAILS



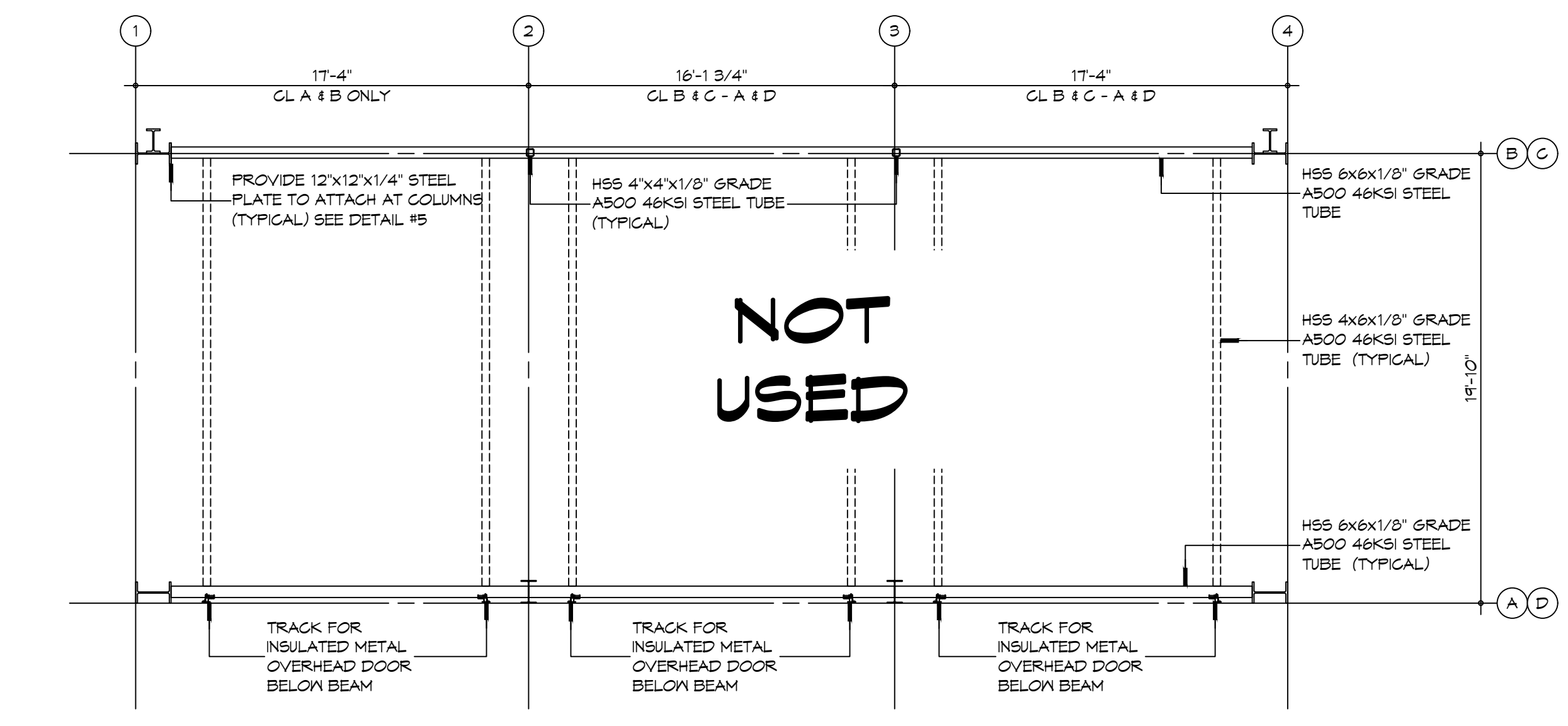
4 DETAIL
 SCALE: 3/16" = 1'-0"
 OVERHEAD DOOR STRUCTURE ELEVATION



3 DETAIL
 SCALE: NTS
 PIPE COLUMN



2 DETAIL
 SCALE: 1/8" = 1'-0"
 OVERHEAD DOOR STRUCTURE SECTION



1 DETAIL
 SCALE: 3/16" = 1'-0"
 OVERHEAD DOOR STRUCTURE PLAN VIEW

DAMMON ENGINEERING, INC.
 LOUISIANA & MISSISSIPPI
 www.dammonengineering.com
 info@dammonengineering.com
 PH: 985.649.5832
 Chief Engineer: Brian Mistich, PE
 554 Old Spanish Trail
 Slidell, LA 70488

| # | DESCRIPTION | DATE |
|---|-------------|------|
| | | |
| | | |
| | | |
| | | |
| | | |
| | | |
| | | |
| | | |
| | | |



NEW FIRE STATION #10
 ST. TAMMANY FIRE PROTECTION DISTRICT NO. 1
 2148 LAKESHORE VISTA BLVD
 SLIDELL, LA 70461
 JOB No: 2519 DATE: 12-05-2025
 DRAWN BY: CKD CHECKED BY: BAKY
 SHEET TITLE: STRUCTURAL DETAILS
 DRAWING NUMBER: **S502**
 SHEET No: 16 of 37