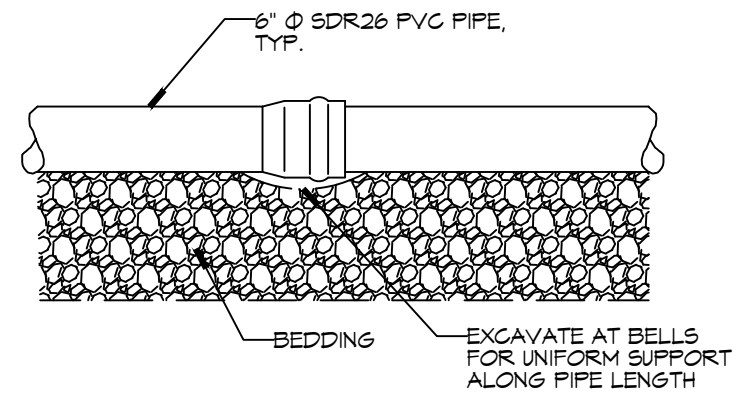
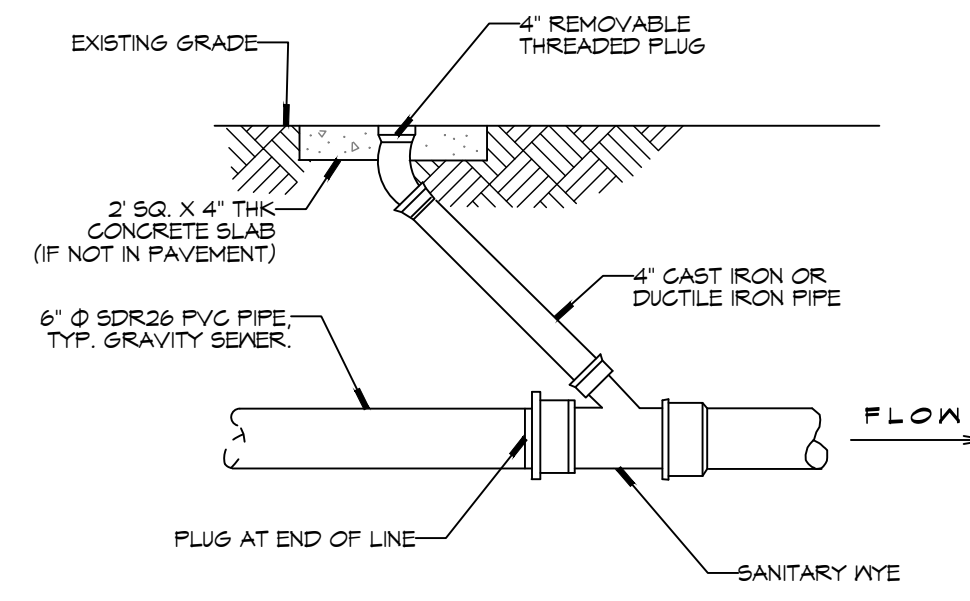


FILE NAME: J:\Projects\2025\12-05-2025\C103 - Fire Station #10\Drawings\General\Utilities\C103-10a_Site Plan.dwg, PLOT DATE: 12-05-2025, PLOT TIME: 10:53:00 AM, PLOT BY: BAK

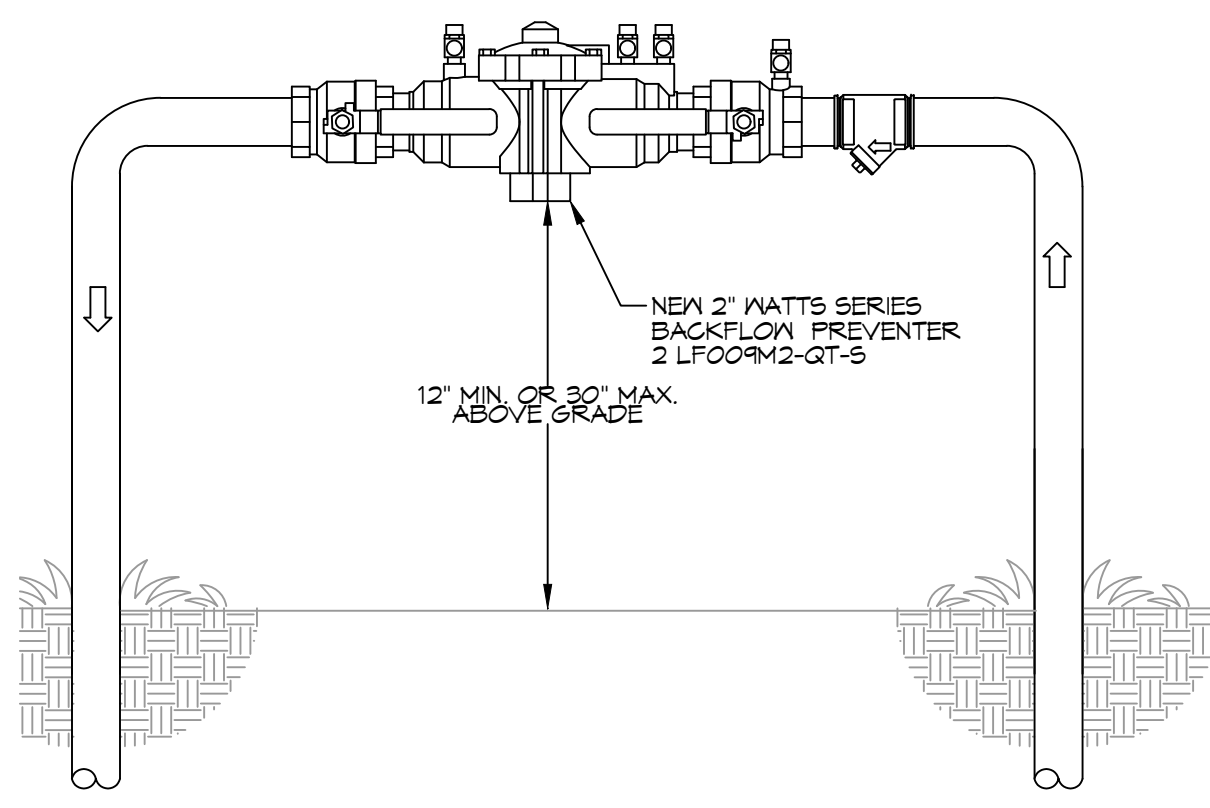
2 **DETAIL**
SCALE: N.T.S. SERVICE LATERAL DETAIL



3 **DETAIL**
SCALE: N.T.S. THROUGH FLOW CLEAN OUT DETAIL



4 **TYPICAL RISER DETAIL**
SCALE: N.T.S.



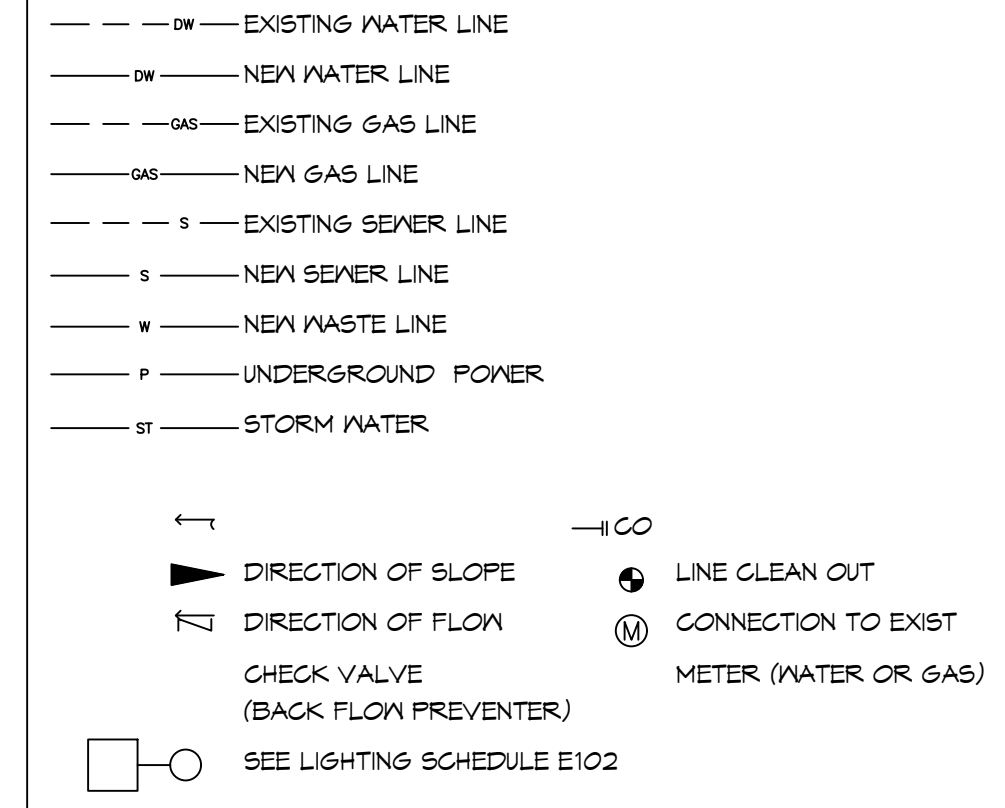
SITE LIGHTING

EXTERIOR LIGHTING SHALL BE SHADED OR INWARDLY DIRECTED IN SUCH A MANNER SO THAT NO DIRECT LIGHTING OR GLARE BE CAST BEYOND THE PROPERTY LINE. THE INTENSITY OF SUCH LIGHTING SHALL NOT EXCEED ONE FOOT CANDLE AS MEASURED AT THE ABUTTING PROPERTY LINE.

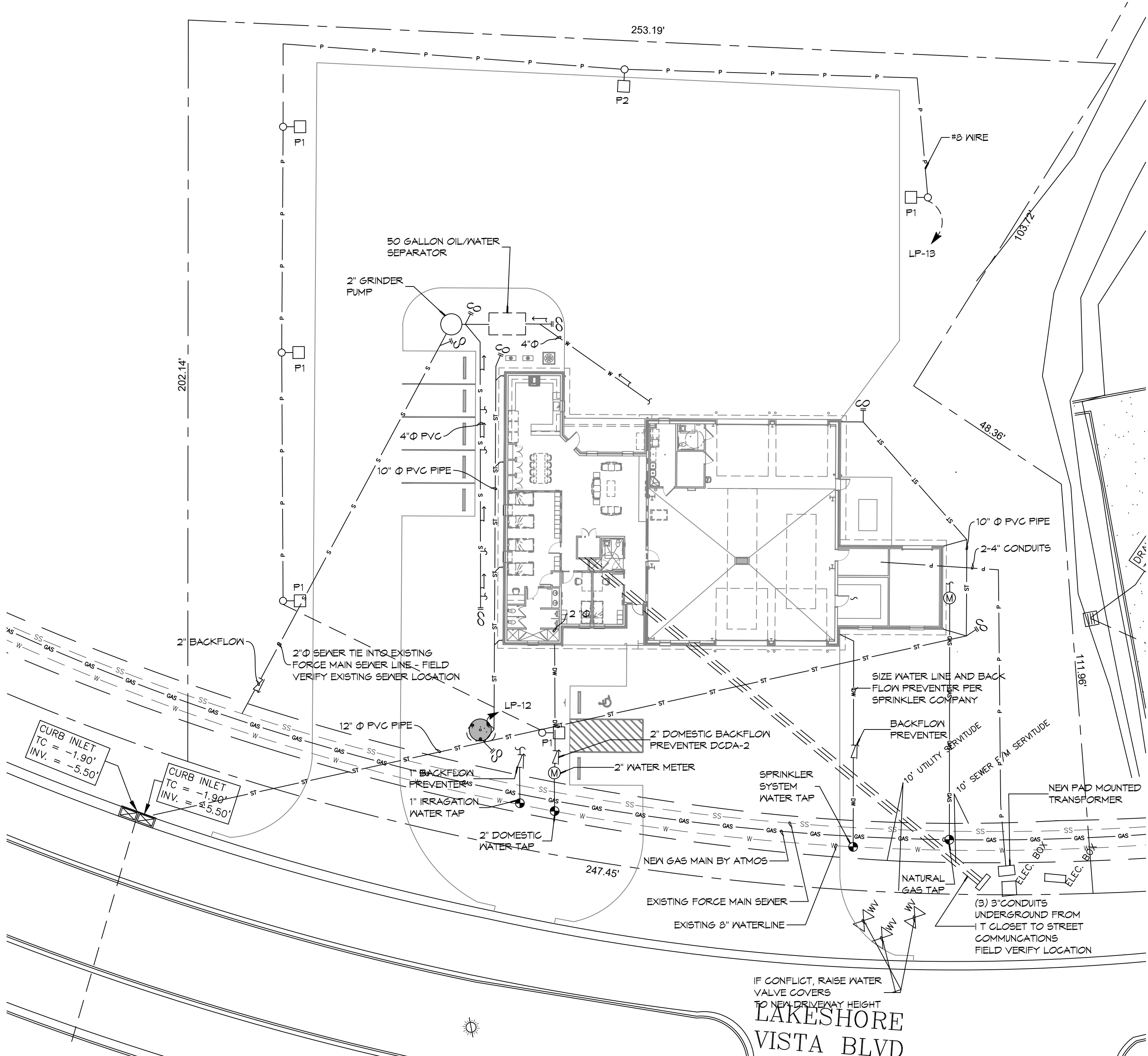
GENERAL SITE UTILITIES NOTES

- ALL CONSTRUCTION SHALL COMPLY WITH CONTRACT SPECIFICATIONS AND APPLICABLE LOCAL, STATE, AND FEDERAL STANDARDS AND REGULATIONS.
- CONSTRUCTION SHALL NOT INTERRUPT EXISTING UTILITIES.
- ALL DISTURBED GROUND SHALL BE RESTORED IN KIND TO A CONDITION EQUAL TO OR BETTER THAN ORIGINALLY FOUND.
- SOIL EROSION CONTROL SHALL BE IN ACCORDANCE WITH THESE DOCUMENTS.
- PROTECT EXISTING UTILITY LINES FROM DAMAGE. FOLLOW INDIVIDUAL UTILITY'S RECOMMENDATIONS FOR UTILITY LINE PROTECTION.
- CONTRACTOR SHALL IMMEDIATELY REPORT ALL DAMAGE TO UTILITY LINES TO BOTH UTILITY COMPANY AND ENGINEER.
- ALL DAMAGE CAUSED TO EXISTING UTILITY LINES BY CONTRACTOR'S OPERATIONS SHALL BE REPAIRED BY THE CONTRACTOR TO COMPLETE SATISFACTION OF THE UTILITY COMPANY AND ENGINEER.
- LOCATION OF EXISTING UTILITIES IS APPROXIMATE. CONTRACTOR SHALL FIELD VERIFY EXACT LOCATIONS.
- CONTRACTOR IS RESPONSIBLE FOR CUT AND CAP OF EXISTING UTILITIES PRIOR TO ANY DEMOLITION.
- CONTRACTOR SHALL CONTACT LOUISIANA ONE CALL PRIOR TO COMMENCEMENT OF SITE EXCAVATION.

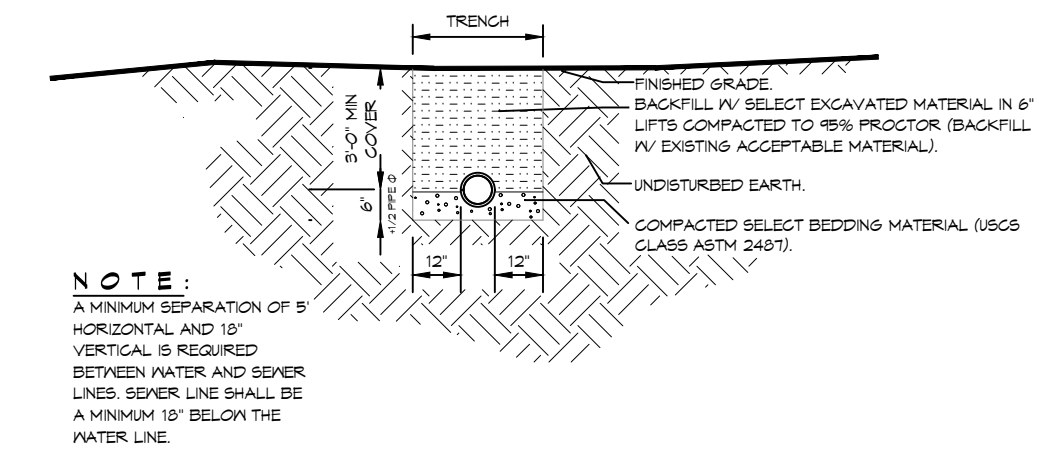
SITE UTILITIES LEGEND



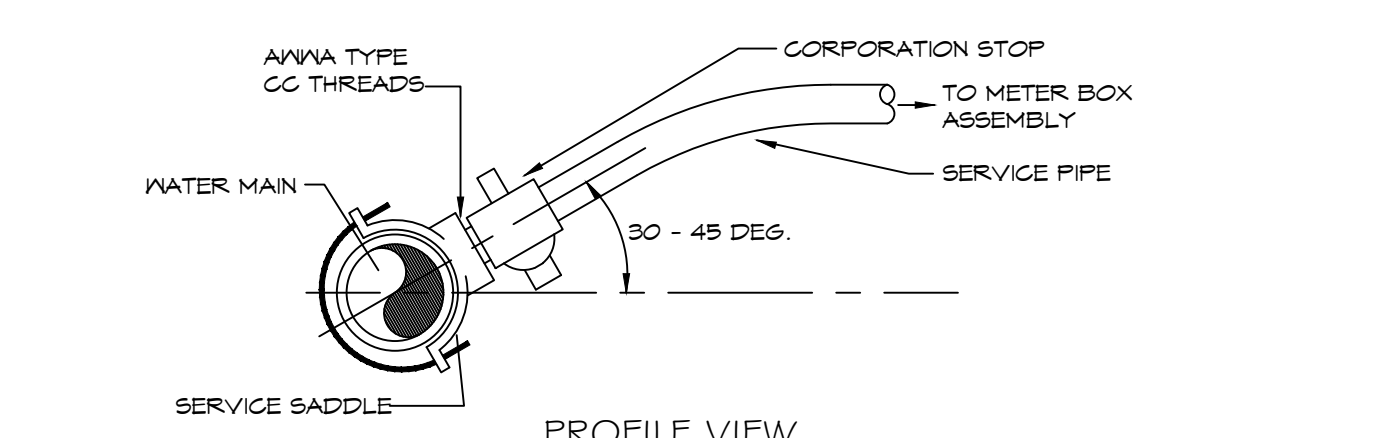
1 **SITE UTILITIES PLAN**
SCALE: 1" = 20'



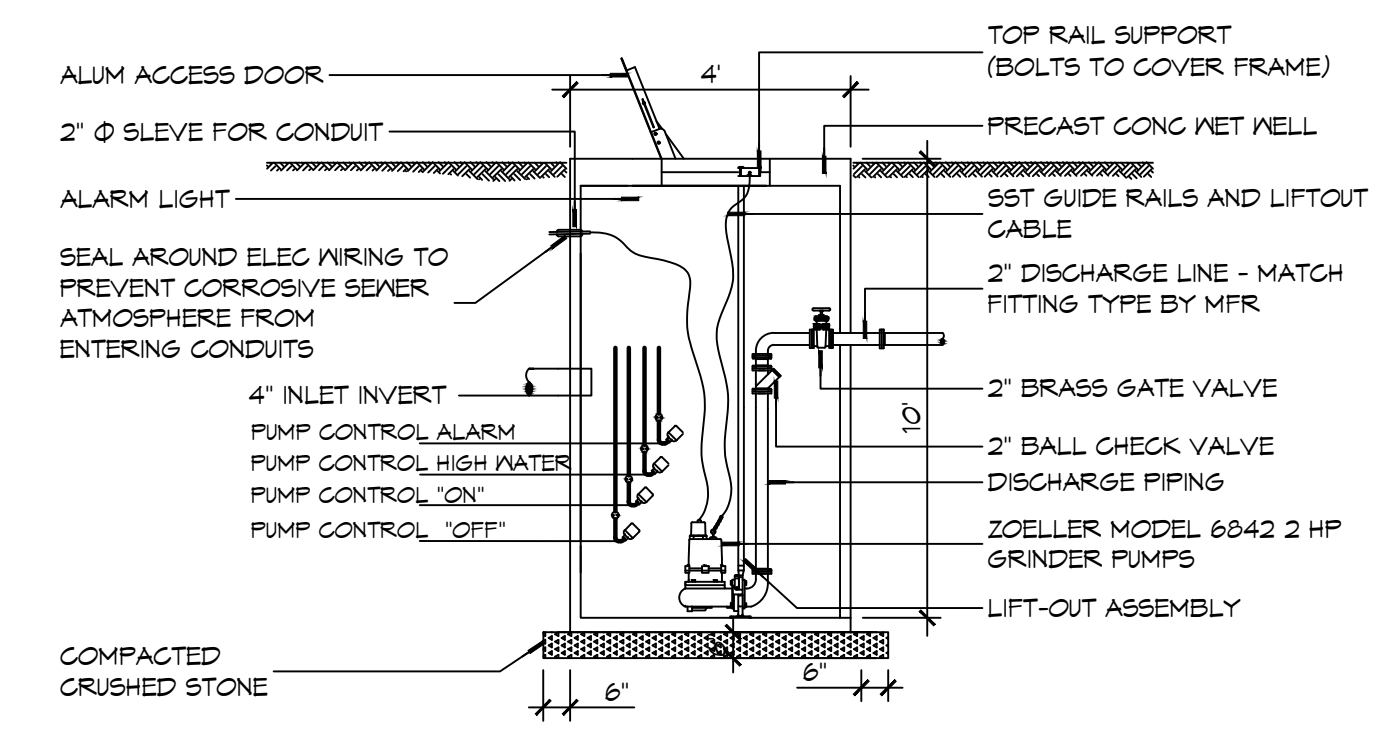
5 **DETAIL**
SCALE: N.T.S. SEWER AND WATER SEPARATION



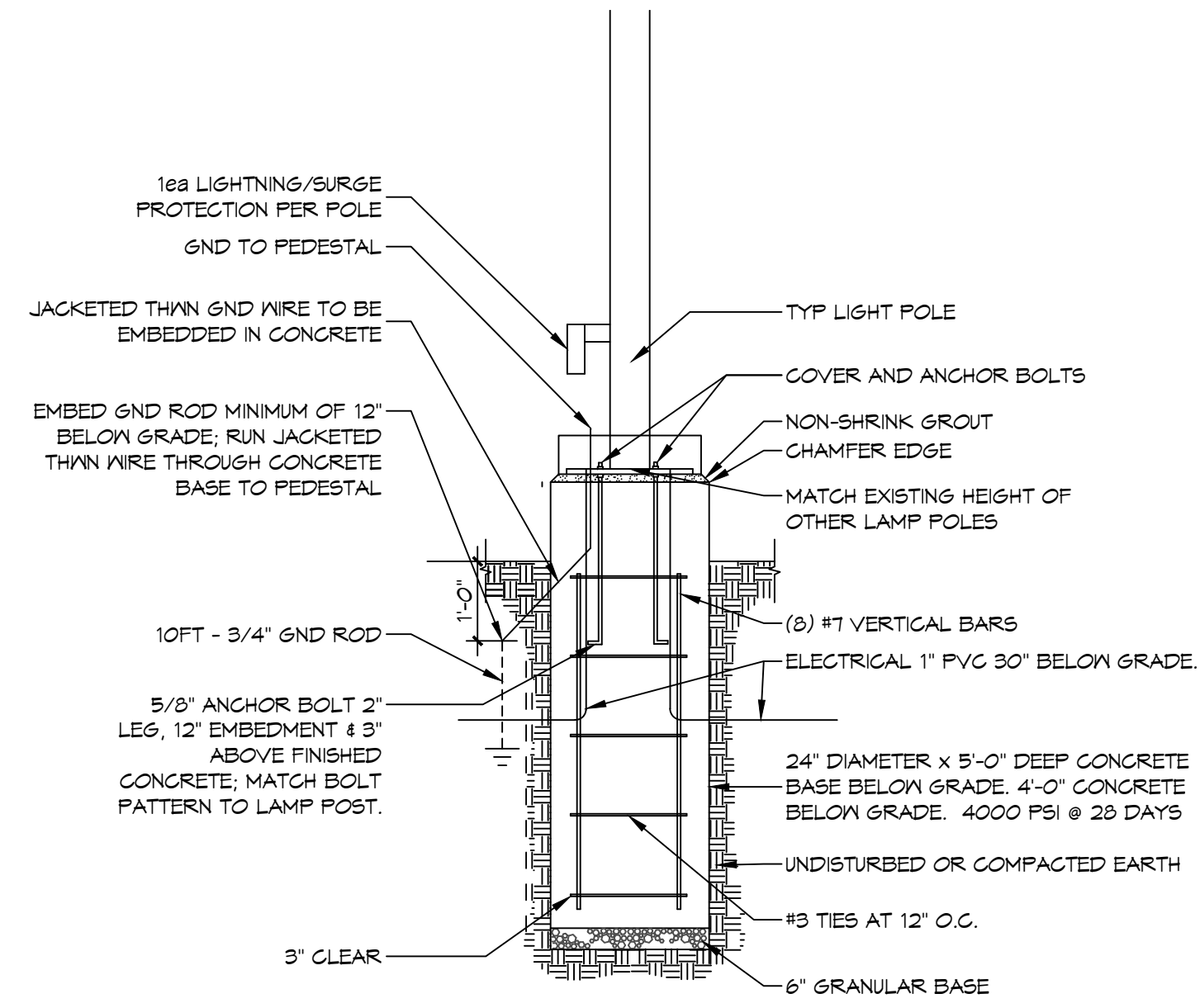
6 **WATER SERVICE CONNECTION**
SCALE: N.T.S.



7 **GRINDER PUMP**
SCALE: N.T.S.



8 **LIGHT POLE DETAIL**
SCALE: N.T.S.



CONTACT FOR ATMOS ENERGY
Kathleen A DuFour
Account Representative
Atmos Energy Corporation
Louisiana Division
985-373-9111 Cell
kathleen.dufour@atmosenergy.com

CONTACT FOR MAGNOLIA WATER
Steve Ernst
Director, Louisiana Regulatory Relations
Email: sernst@caurgroup.com
M:(985) 640-1355

DAMMON ENGINEERING, INC.
LOUISIANA & MISSISSIPPI
www.dammonengineering.com
info@dammonengineering.com
PH: 985.649.5832
Chief Engineer: Brian Mistich, PE
554 Old Spanish Trail
Slidell, LA 70458

| # | DESCRIPTION | DATE |
|---|-------------|------|
| | | |
| | | |
| | | |
| | | |



**NEW FIRE STATION #10
ST. TAMMANY FIRE PROTECTION
DISTRICT NO. 1**

246 LAKESHORE VISTA BLVD
SLIDELL, LA 70461
JOB No: 2519 DATE: 12-05-2025
DRAWN BY: BAK CHECKED BY: CKD

SHEET TITLE: SITE PLAN - SITE UTILITIES AND DETAILS
DRAWING NUMBER:
C103

SHEET No: 7 of 31