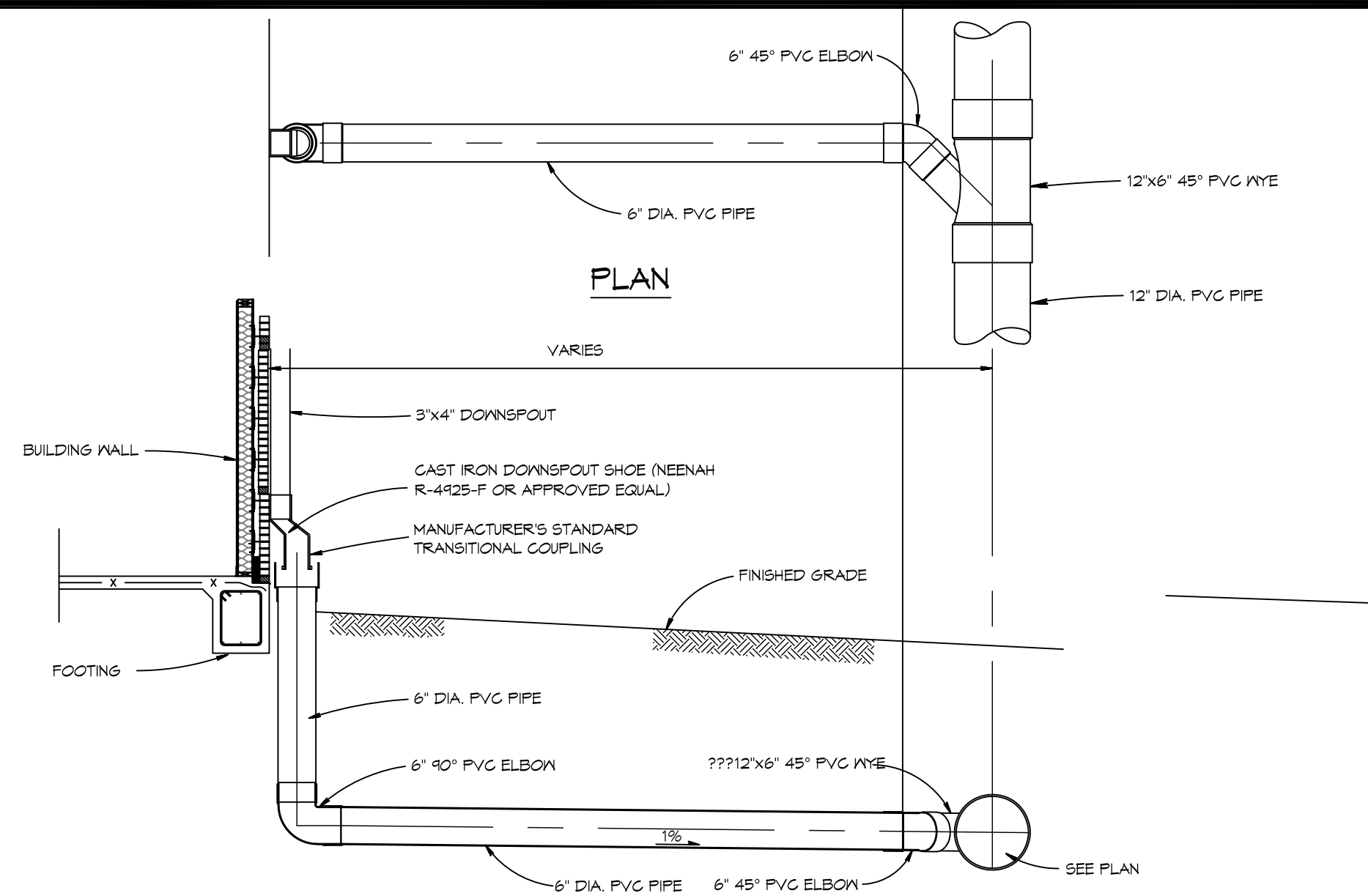


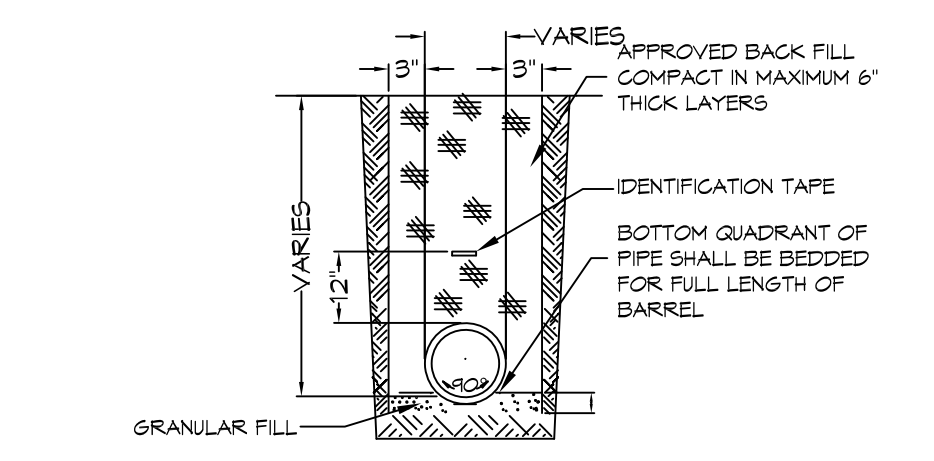
FILE NAME: S:\Projects\2019 - The Village at Orange Grove\Drawings\Site\Drainage\DWG\_041.dwg, Date: 04/11/2019, 10:58:00 AM, User: bdammon



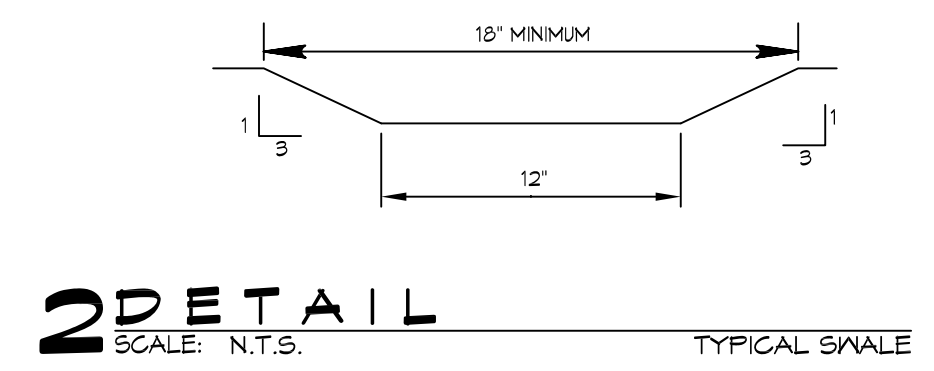
SITE DRAINAGE LEGEND	
---	PROPERTY LINE
TC = 11.47	TOP OF CONCRETE
TOG = 11.47	TOP OF GRADE
INV = 11.47	INVERT OF PIPE
00.00	EXISTING ELEVATIONS
ST	NEW SUBSURFACE DRAINAGE PIPE
→	DRAINAGE FLOW DIRECTION ARROWS

- | GENERAL SITE DRAINAGE NOTES |  |
|-----------------------------|--|
| 1.                          | DRAIN PIPE(S) MUST BE THE BELL AND SPIGOT TYPE WITH 'O' RING RUBBER GASKETS. THE BELLS OF THE PIPES SHALL BE LAID UPSTREAM. ALL JOINTS SHALL BE WRAPPED WITH GEOTEXTILE FABRIC. ALL PIPES SHALL REQUIRE A 3" COMPACTED SAND OR LIMESTONE BASE. |
| 2.                          | DRAIN PIPE AND FITTINGS WITHIN PROPERTY LINE SHALL BE POLYVINYL CHLORIDE PLASTIC PIPE, MEETING CLASS 100 C-900 PVC.  |
| 3.                          | ELEVATIONS SHOWN ARE M.S.L.  |
| 4.                          | FIELD VERIFY ALL ELEVATIONS AND DRAINAGE SYSTEM PLACEMENT PRIOR TO START OF WORK.  |
| 5.                          | PROVIDE VERTICAL ELBOW AT DOWNSPOUTS FOR CONNECTION TO SUBSURFACE DRAINAGE WHERE INDICATED. ELBOW ID SHALL BE SIZED SUCH THAT THE DOWNSPOUT CAN BE INSERTED INTO THE PIPE OPENING.   |
| 6.                          | MAINTAIN ALL DRAINAGE FOR PROPER PERFORMANCE.  |

**4 DETAIL**  
SCALE: N.T.S.

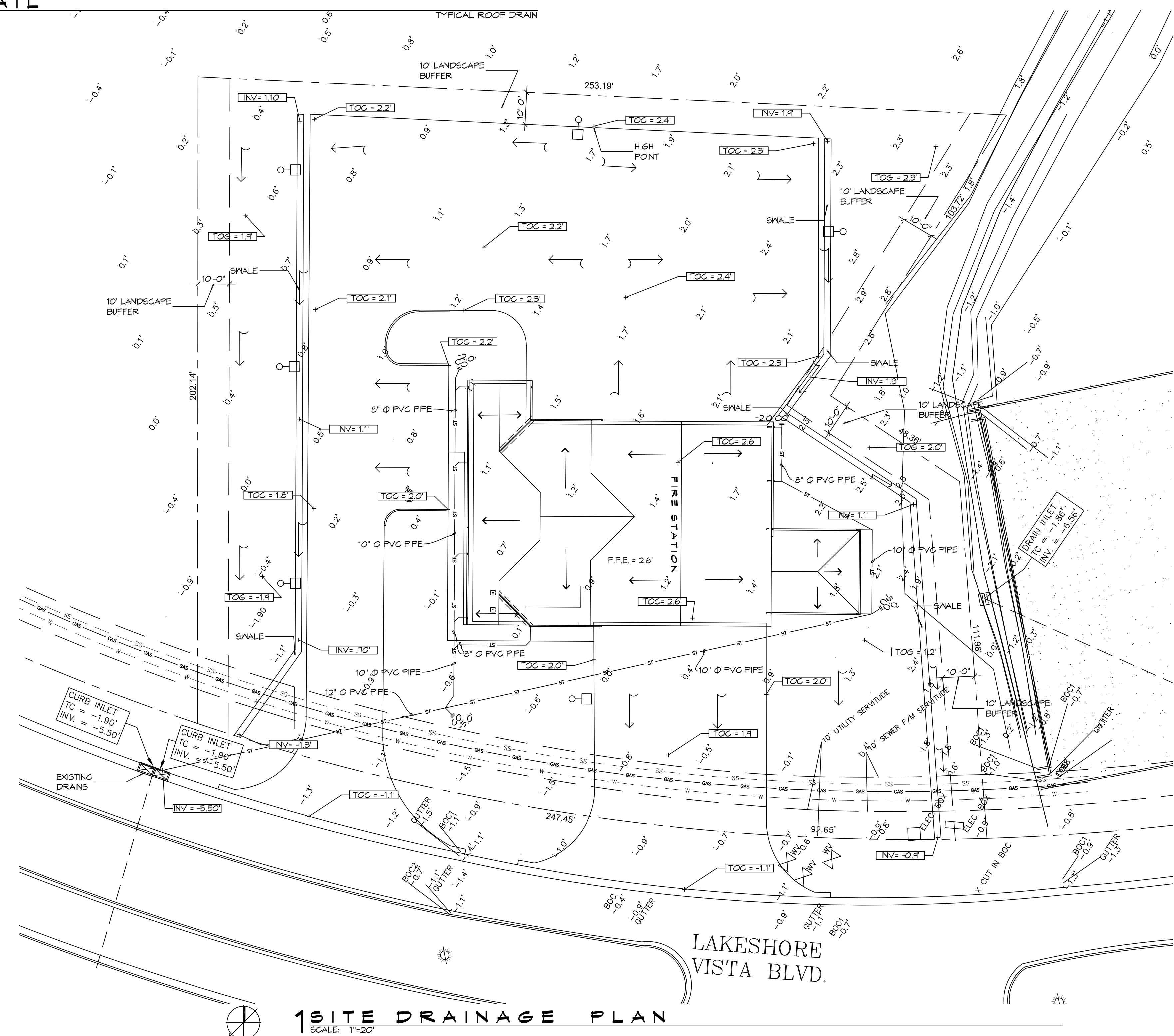


**3 DETAIL**  
SCALE: N.T.S.



**2 DETAIL**  
SCALE: N.T.S.

- NOTES:**  
1) DRAIN PIPE & FITTINGS SHALL BE POLYVINYL CHLORIDE PLASTIC PIPE, MEETING CLASS 100 C-900 PVC.  
2) ELEVATIONS SHOWN ARE M.S.L.



**1 SITE DRAINAGE PLAN**  
SCALE: 1"=20'

**DAMMON ENGINEERING, INC.**  
LOUISIANA & MISSISSIPPI  
Chief Engineer: Brian Mirtich, PE  
554 Old Spanish Trail  
Slidell, LA 70488  
www.dammonengineering.com  
info@dammonengineering.com  
PH: 985.649.5832

REVISIONS	DATE
#	DESCRIPTION

SEAL:

**NEW FIRE STATION #10  
ST. TAMMANY FIRE PROTECTION  
DISTRICT NO. 1**  
246 LAKESHORE VISTA BLVD  
SLIDELL, LA 70461  
JOB No: 2519 DATE: 1-16-2026  
DRAWN BY: CKD CHECKED BY: BAW

SHEET TITLE:  
SITE PLAN - DRAINAGE  
AND DETAILS

DRAWING NUMBER:  
**C104**  
SHEET No: 8 of 37