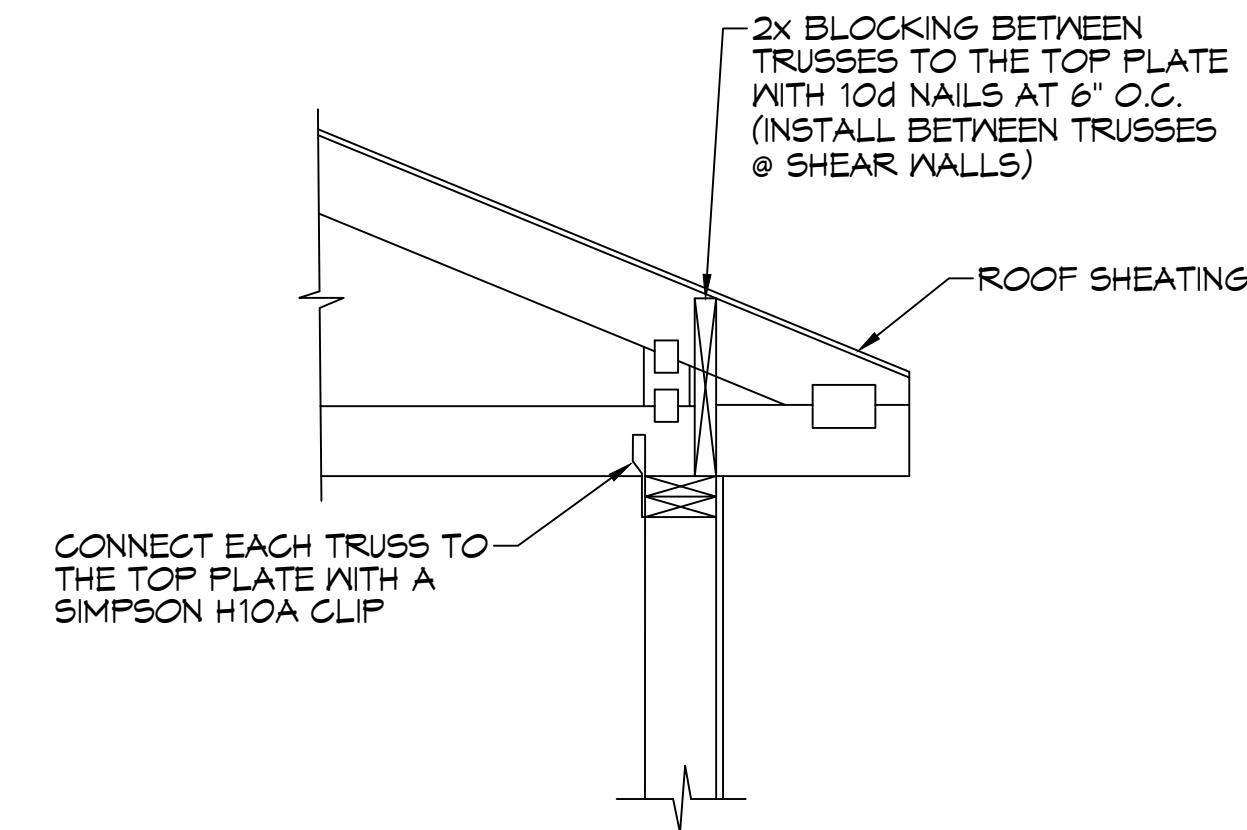
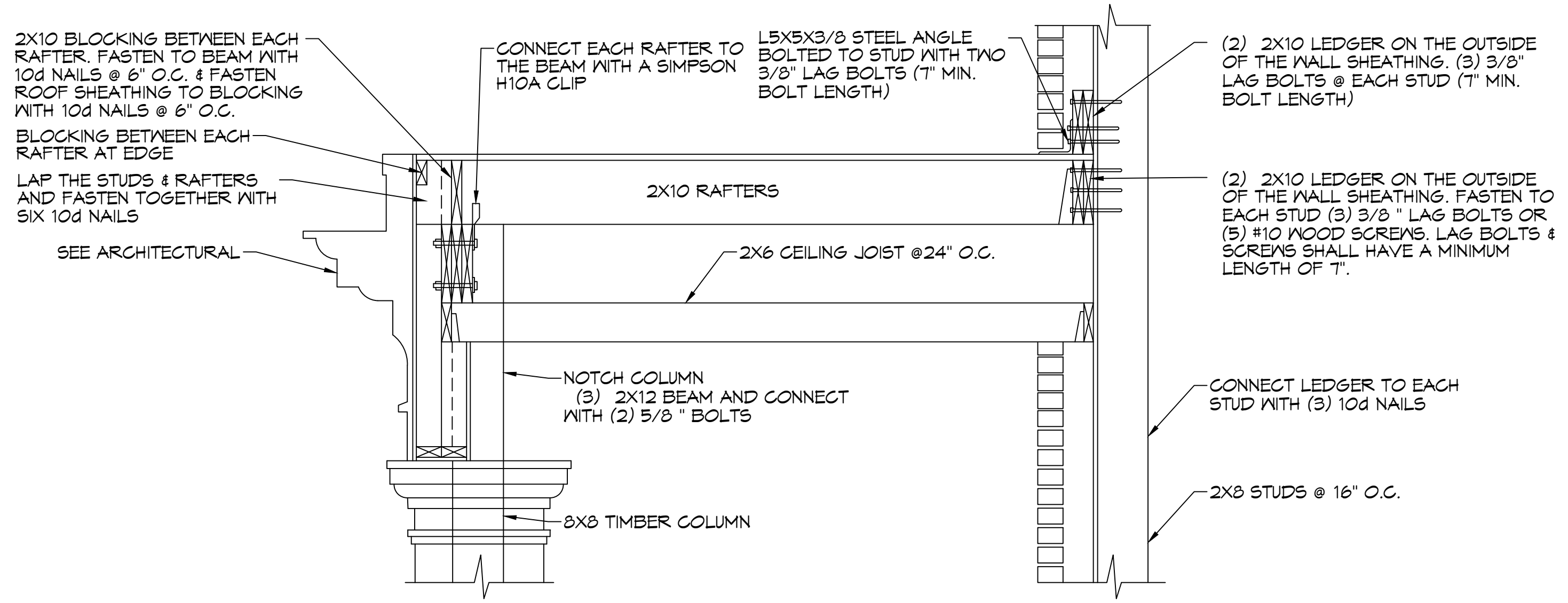


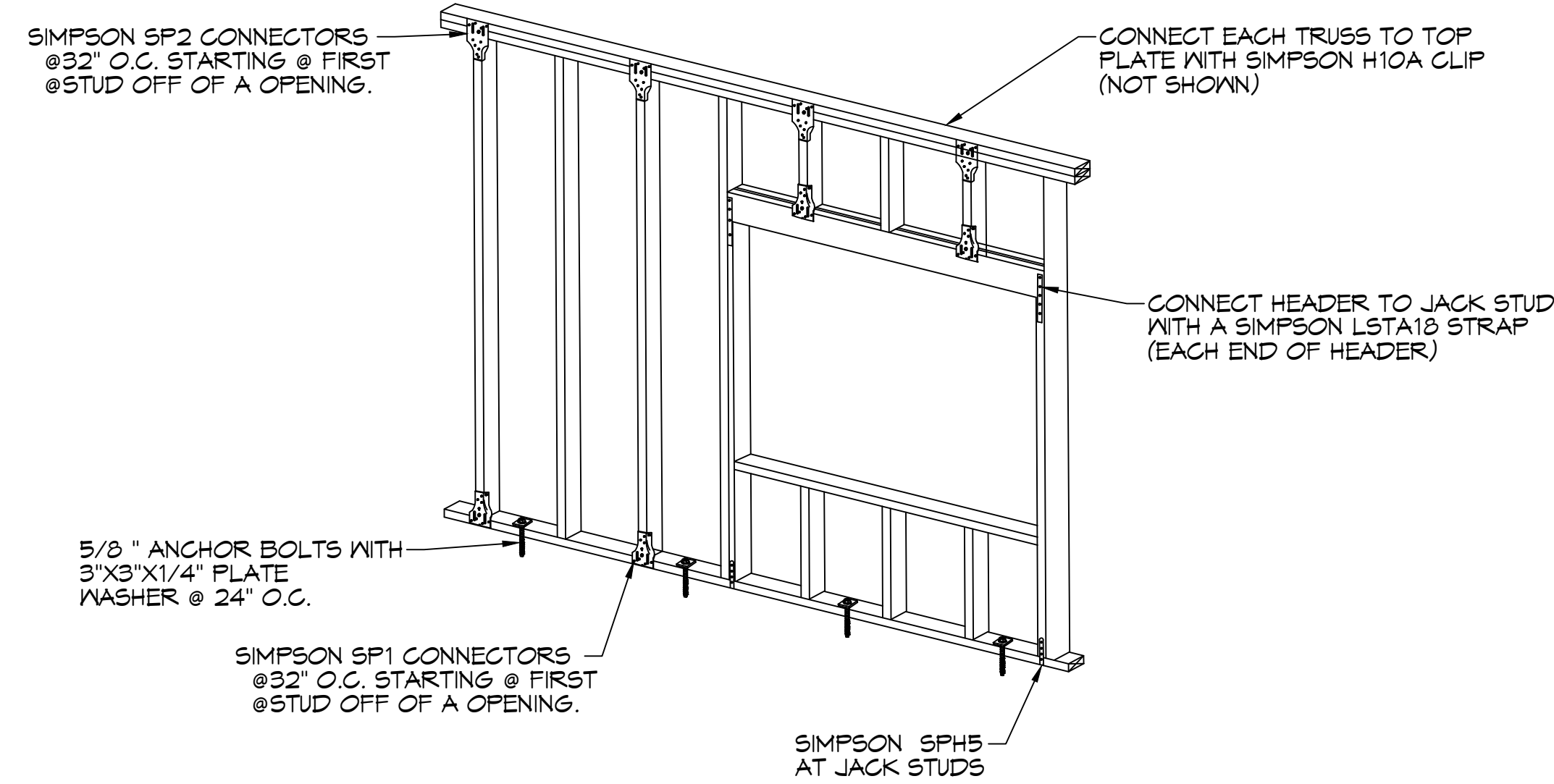
A FRAMING SECTION @ MEZZANE/ROOF BEARING
 S4 SCALE: 3/4" = 1'-0"



B ROOF TRUSS BEARING DETAIL
 S4 SCALE: 3/4" = 1'-0"



C FRONT PORCH ROOF SECTION
 S4 SCALE: 3/4" = 1'-0"



D WALL CONNECTION DETAIL
 S4 SCALE: 3/4" = 1'-0"

| # | DESCRIPTION | DATE |
|---|-------------|------|
| | | |
| | | |
| | | |
| | | |
| | | |
| | | |
| | | |
| | | |
| | | |

SEAL:
 PROGRESS SET

NEW MEDICAL OFFICE
 DIANA OAK HARBOR REAL ESTATE LLC
 540 OAK HARBOR BLVD
 SLIDELL, LA 70458
 JOB No: 2513 DATE: 06-03-2025
 DRAWN BY: JMS CHECKED BY: JMS

SHEET TITLE:
 ROOF FRAMING DETAILS
 DRAWING NUMBER:
S4
 SHEET No: 35 of 32