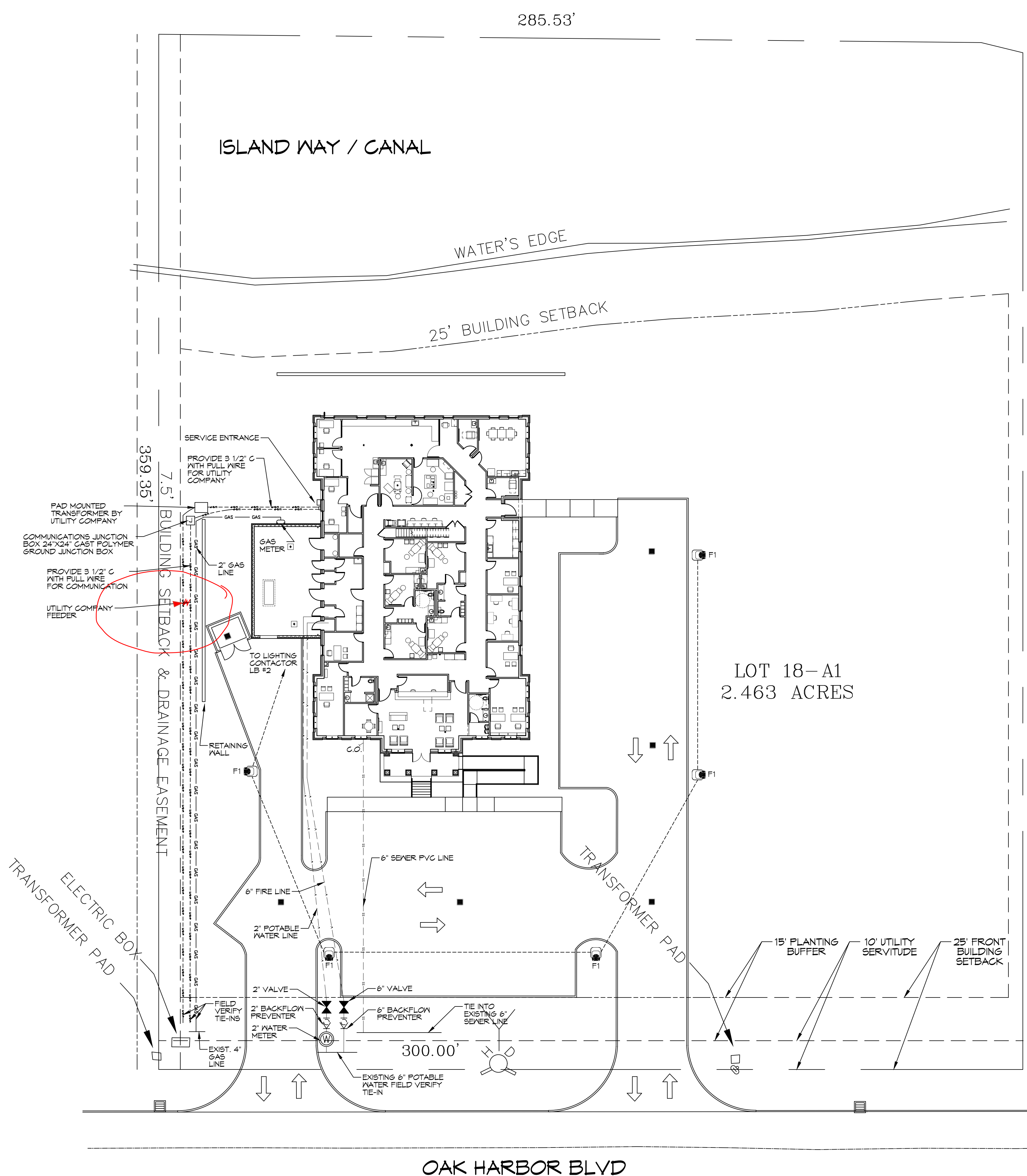


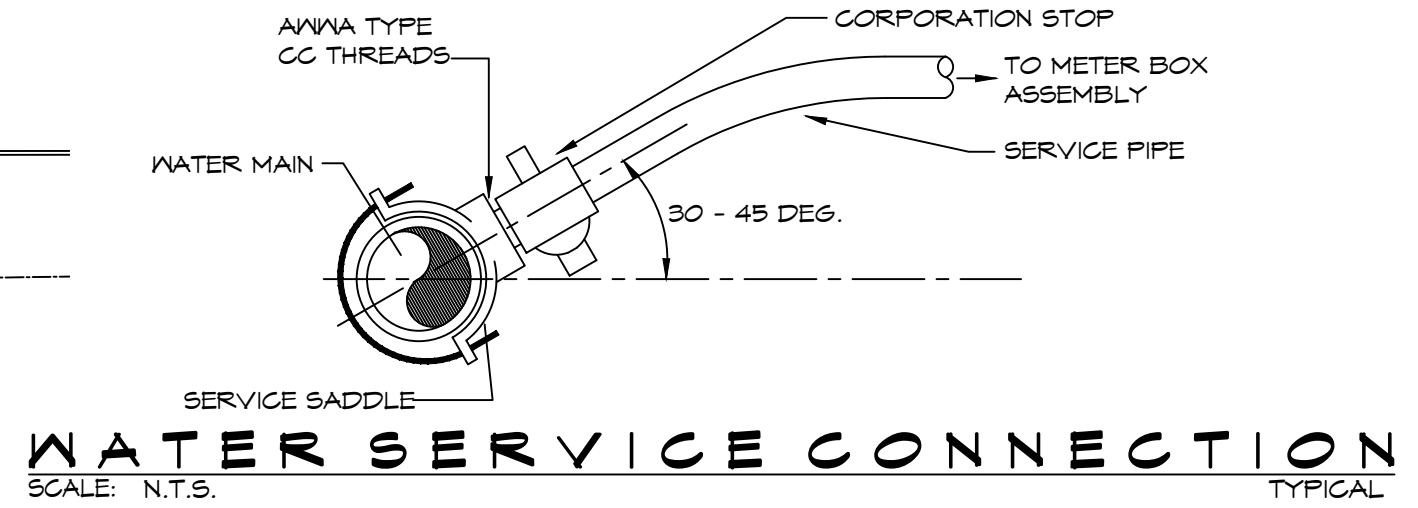
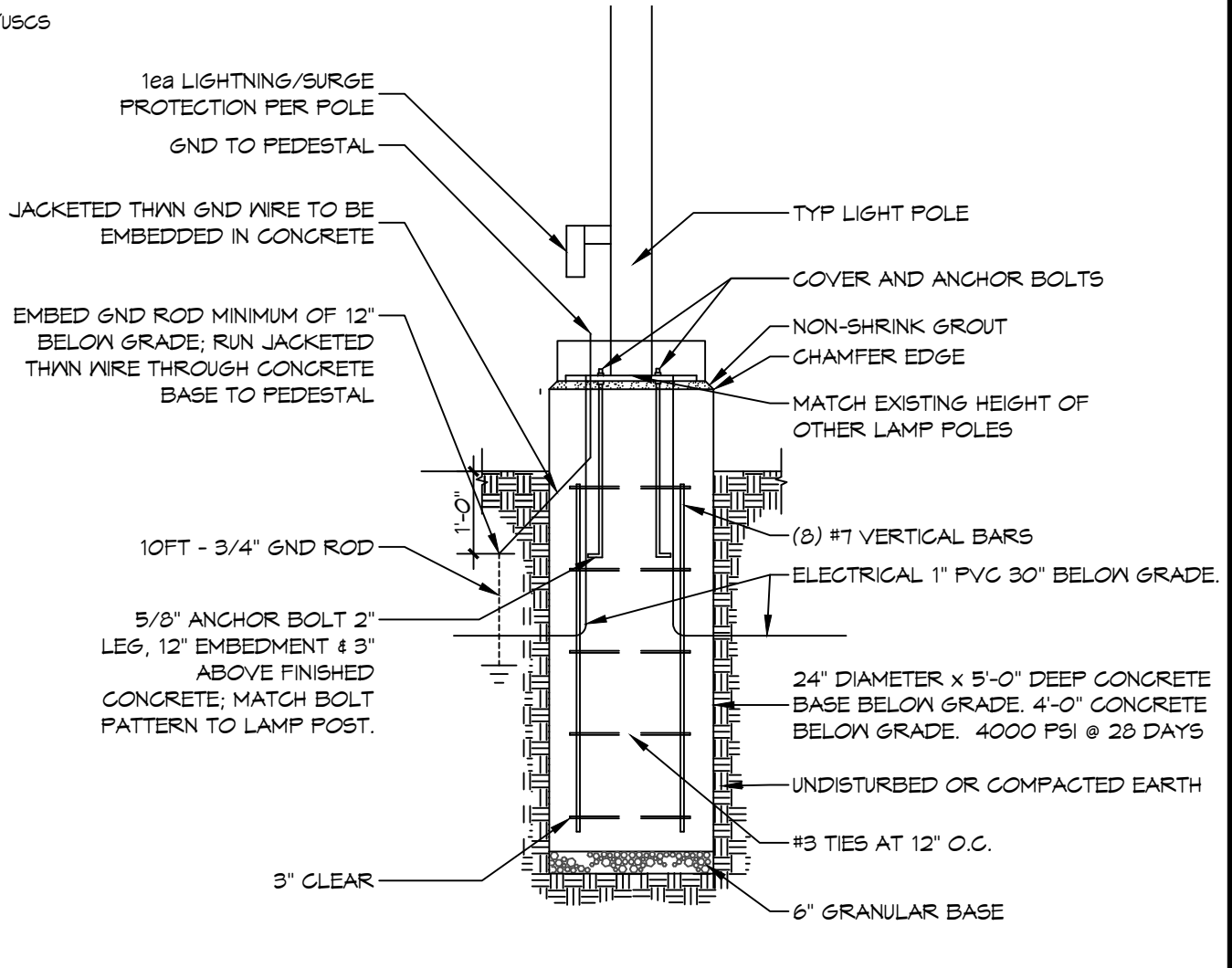
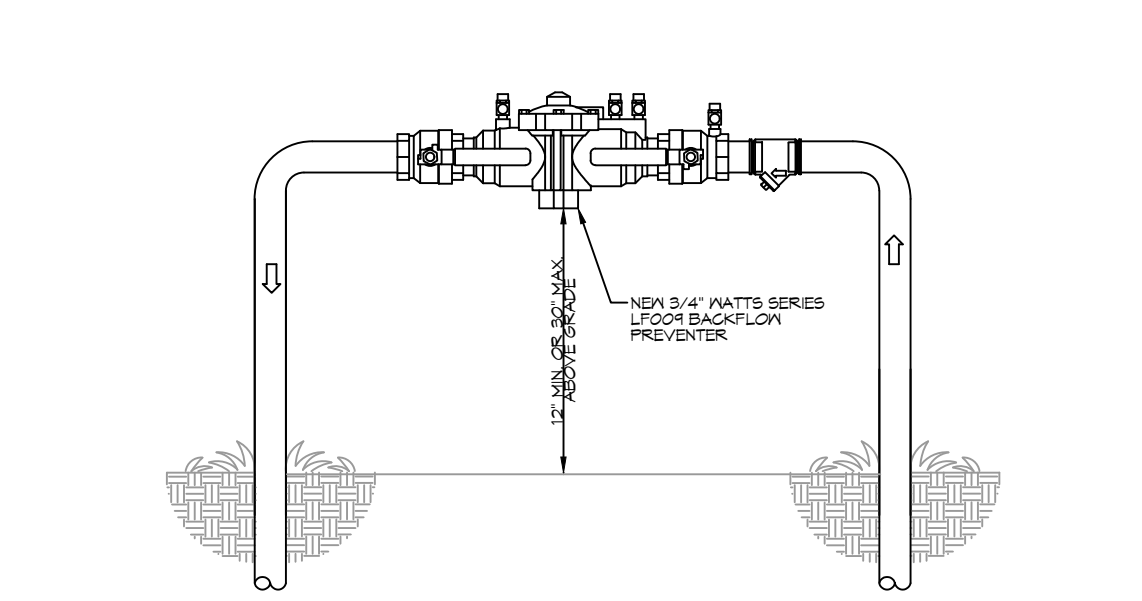
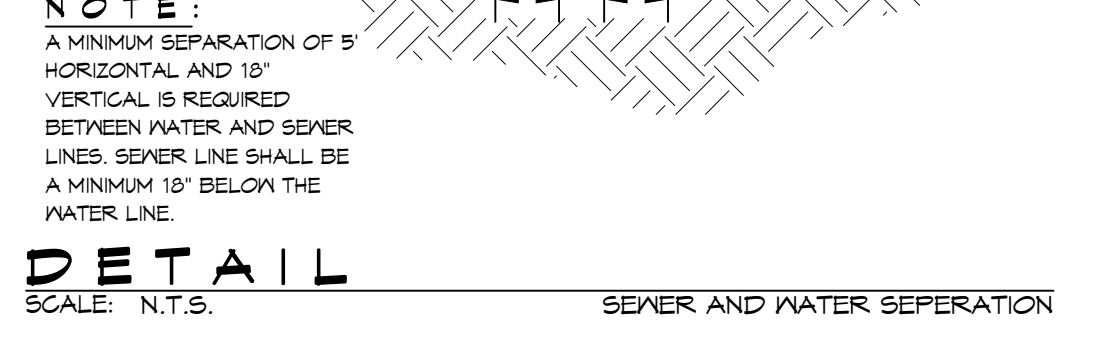
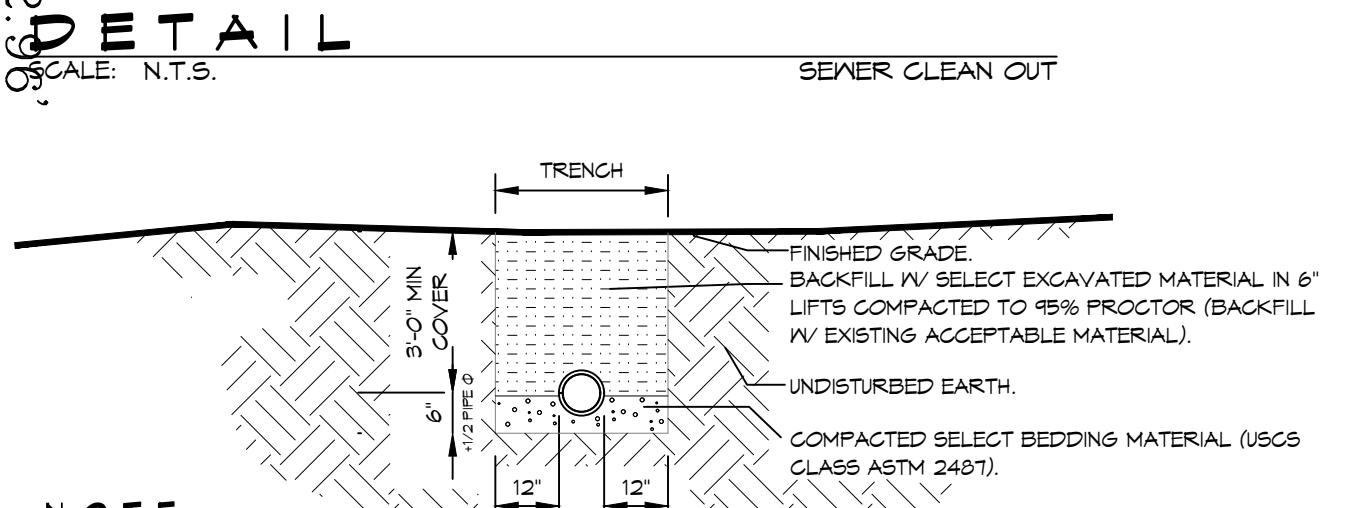
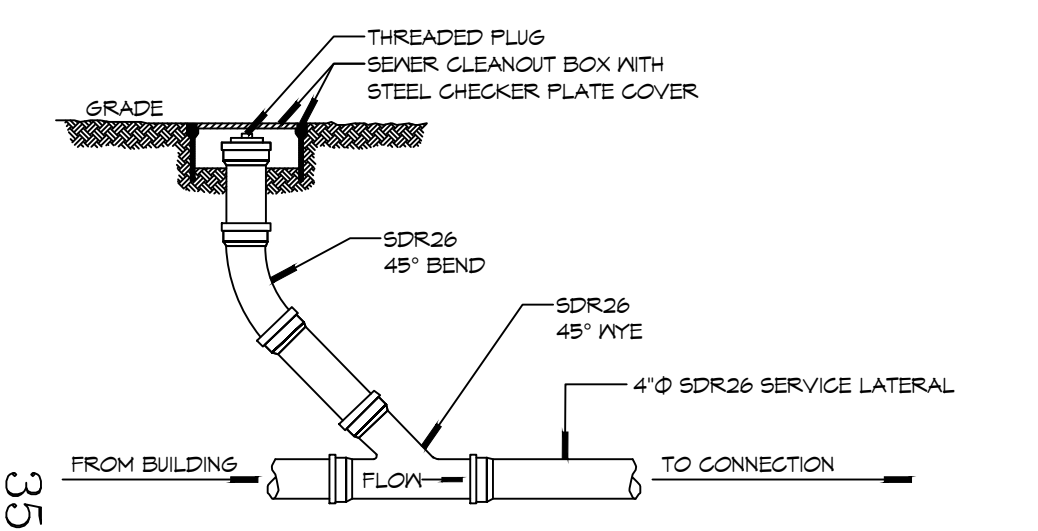
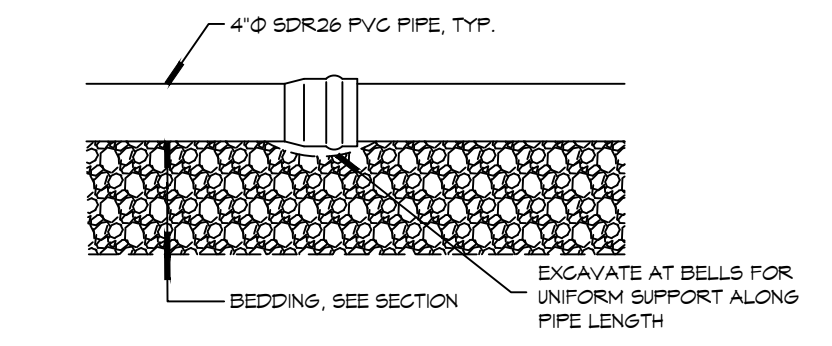
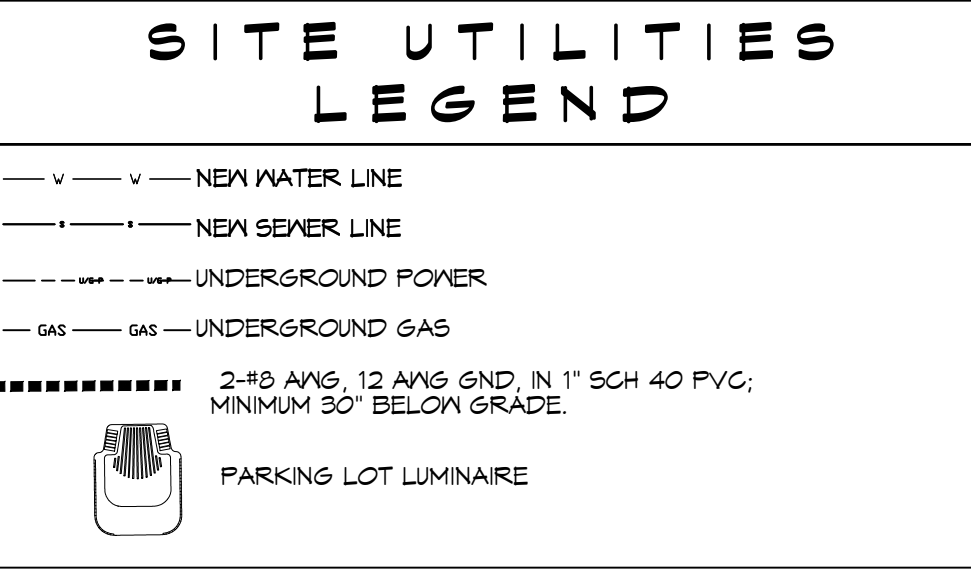
FILE NAME: J:\Projects\2025\05-07-2025\05-07-2025 - Dammon Engineering - Utility Site Plan - 25-01-2025.dwg  
 DATE PLOTTED: 05/07/2025 10:14:33 AM  
 PLOT SCALE: 1" = 20'-0"  
 PLOT BY: BAW



**UTILITY SITE PLAN**  
SCALE: 1" = 20'-0"

| LIGHT FIXTURE SCHEDULE |          |   |
|------------------------|----------|---|
| MARK                   | QUANTITY | DESCRIPTION   |
| F1                     | 5        | U.S. ARCHITECTURAL LIGHTING, AEROLUME SERIES LED LAMP, AERM-VLED-IV-64LED-350MA-NV-120-1-GREY; POLE, SNTA-206-250-D1-GREY; SINE UP LR SERIES LIGHTNING PROTECTION, LR222151 |

- ### GENERAL SITE NOTES
- PROVIDE ALL LABOR, MATERIAL AND EQUIPMENT FOR A COMPLETE OPERATING SYSTEM. CONTRACTOR IS TO FIELD VERIFY ALL EXISTING UTILITY LOCATIONS, ELEVATIONS, AND INVERTS PRIOR TO COMMENCING ANY WORK. CONTRACTOR SHALL PAY NECESSARY FEES FOR THE UTILITIES CONNECTIONS.
  - CONTRACTOR TO BE RESPONSIBLE TO VERIFY ANY INVERTS AND SET NEW INVERTS OF SEWAGE AND DRAINAGE PIPES.
  - ALL WORK AND MATERIAL TO COMPLY STRICTLY TO THE LATEST LOCAL CITY PARISH, STATE, AND NATIONAL GOVERNING CODES.
  - SEWAGE LINES 3" AND SMALLER SHALL BE SLOPED 1/4" PER FOOT AND LINES THAT ARE 4" AND LARGER SHALL BE SLOPED 1/8" PER FOOT.
  - CONTRACTOR SHALL CONTACT LOUISIANA ONE CALL PRIOR TO COMMENCEMENT OF SITE EXCAVATION.
  - CONTACT BENJAMIN LUCAS WITH THE MAGNOLIA WATER UTILITY DEPARTMENT AT (314) 406-1080 FOR TAPS. BLUCAS@CSWRGROUP.COM



# DAMMON ENGINEERING, INC.

LOUISIANA & MISSISSIPPI

Chief Engineer: Brian Watch, PE  
 554 Old Spanish Trail  
 Slidell, LA 70468  
 www.dammonengineering.com  
 info@dammonengineering.com  
 PH: 985.649.9832

| # | DESCRIPTION | DATE |
|---|-------------|------|
|   |             |      |
|   |             |      |
|   |             |      |
|   |             |      |

SEAL:

|  |  |
|--|--|
|  |  |
|--|--|

NEW MEDICAL OFFICE

## POSITIVE STEPS FERTILITY

500 OAK HARBOR BLVD  
SLIDELL, LA 70468

JOB No: 25-01 DATE: 05-07-2025  
DRAWN BY: BAW  
CHECKED BY: BAW

SHEET TITLE:  
UTILITY SITE PLAN

DRAWING NUMBER:

SHEET No: 3 of 18

# C3