



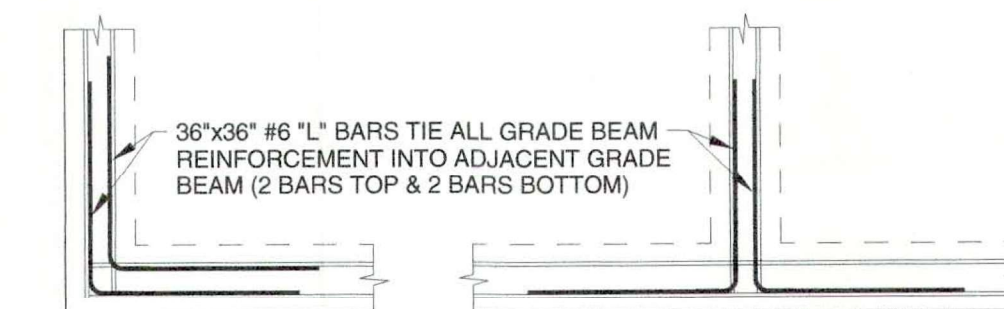
SEPTEMBER 29, 2017

CONSTRUCTION DOCUMENTS

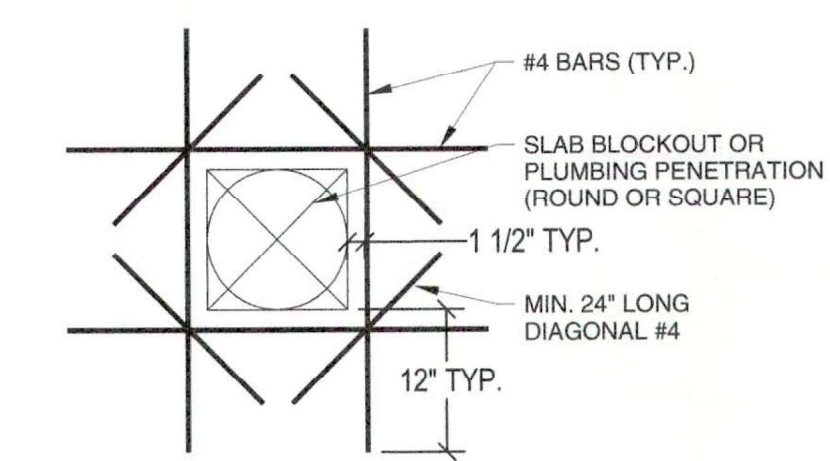
WBA #: 2217

REVISIONS		
NO.	DESCRIPTION	DATE

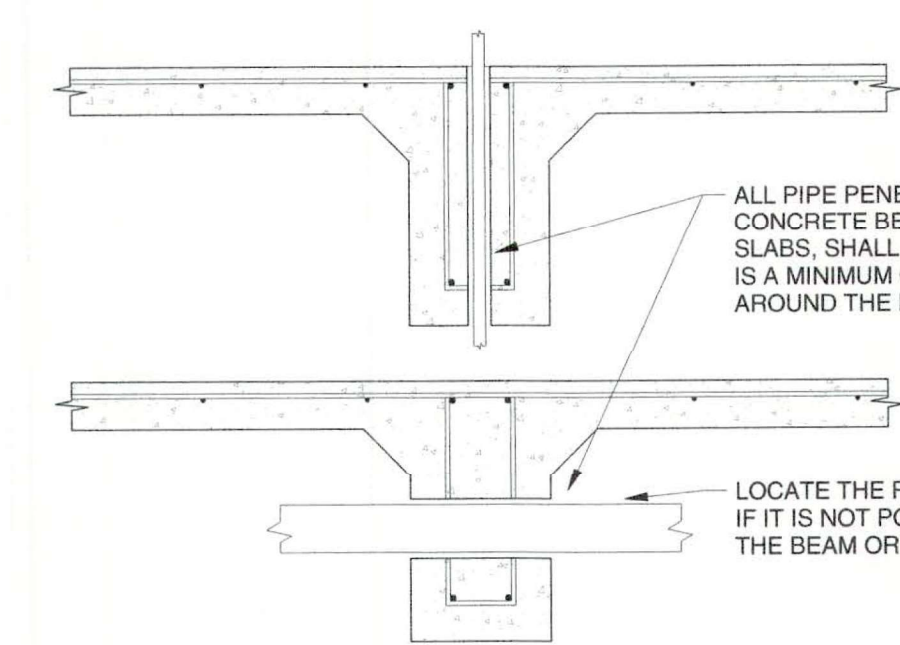
S3.0
DETAILS



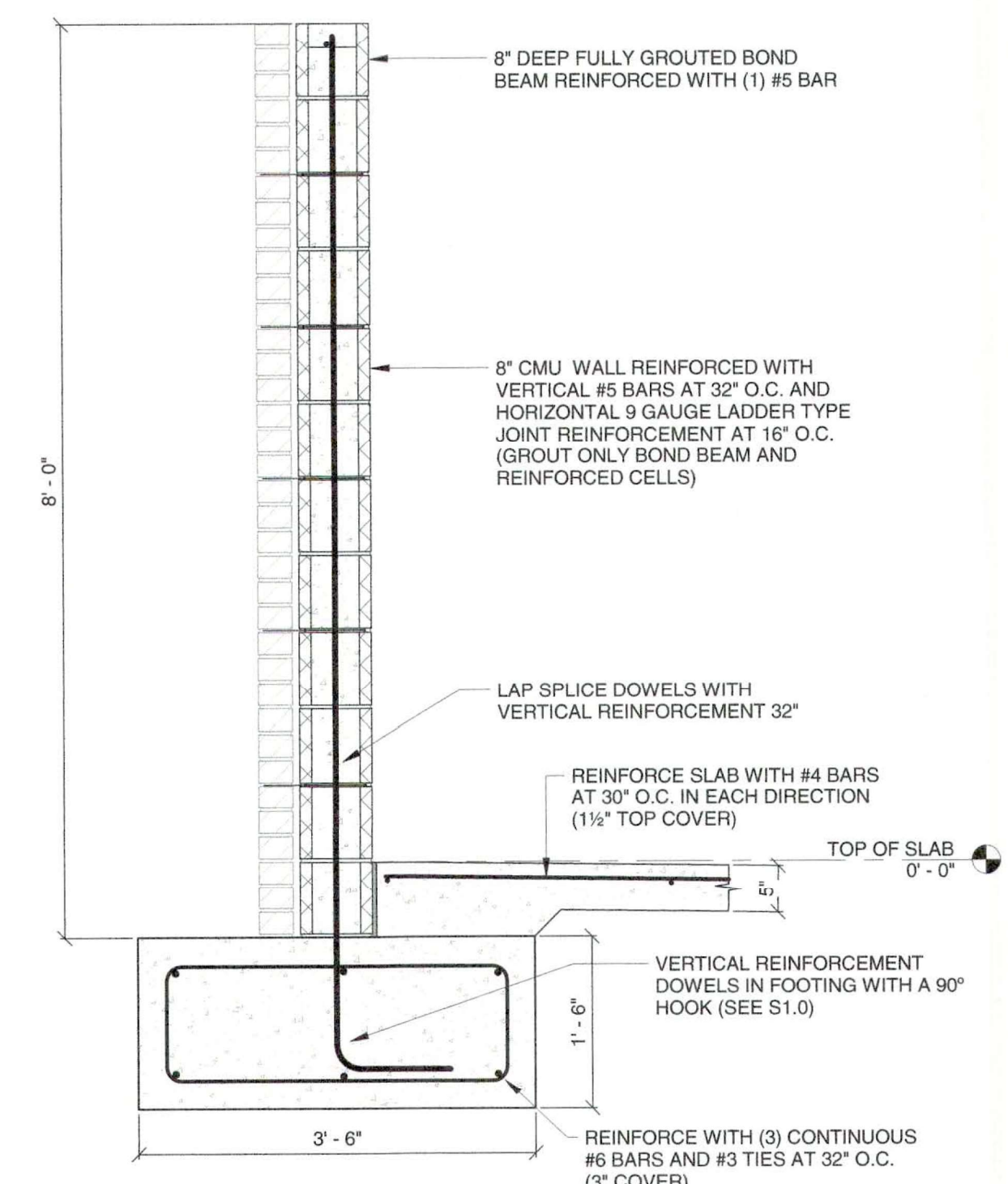
6
S3.0
3/8" = 1'-0"



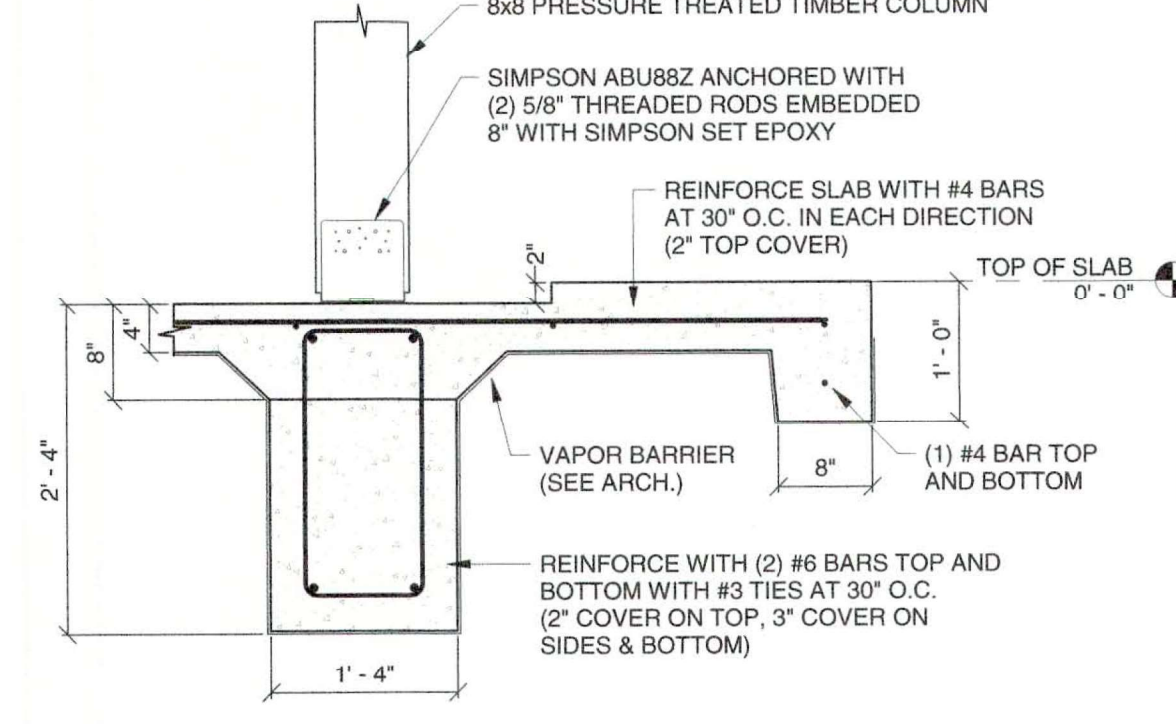
7
S3.0
3/4" = 1'-0"



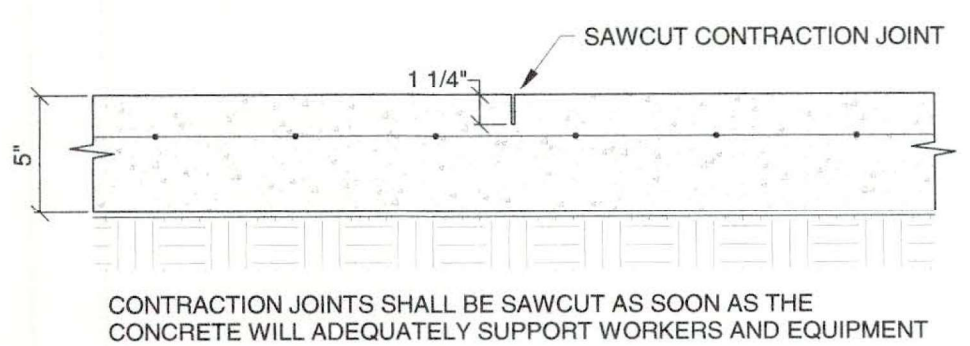
8
S3.0
3/4" = 1'-0"



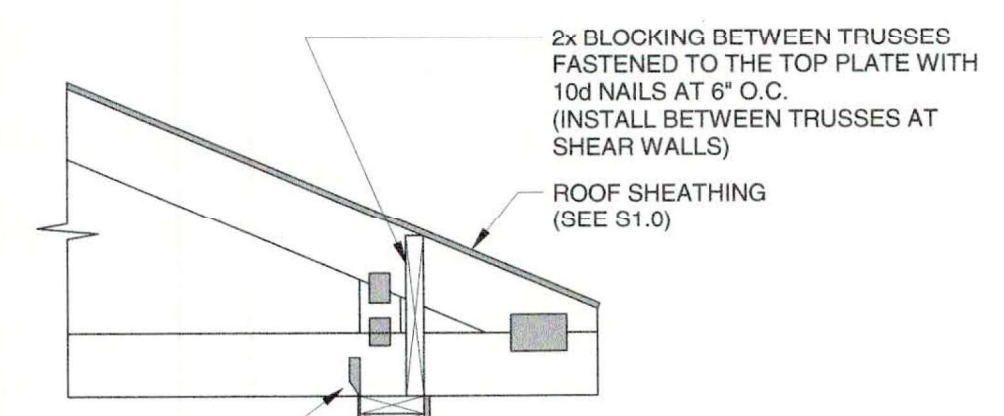
5
S3.0
3/4" = 1'-0"



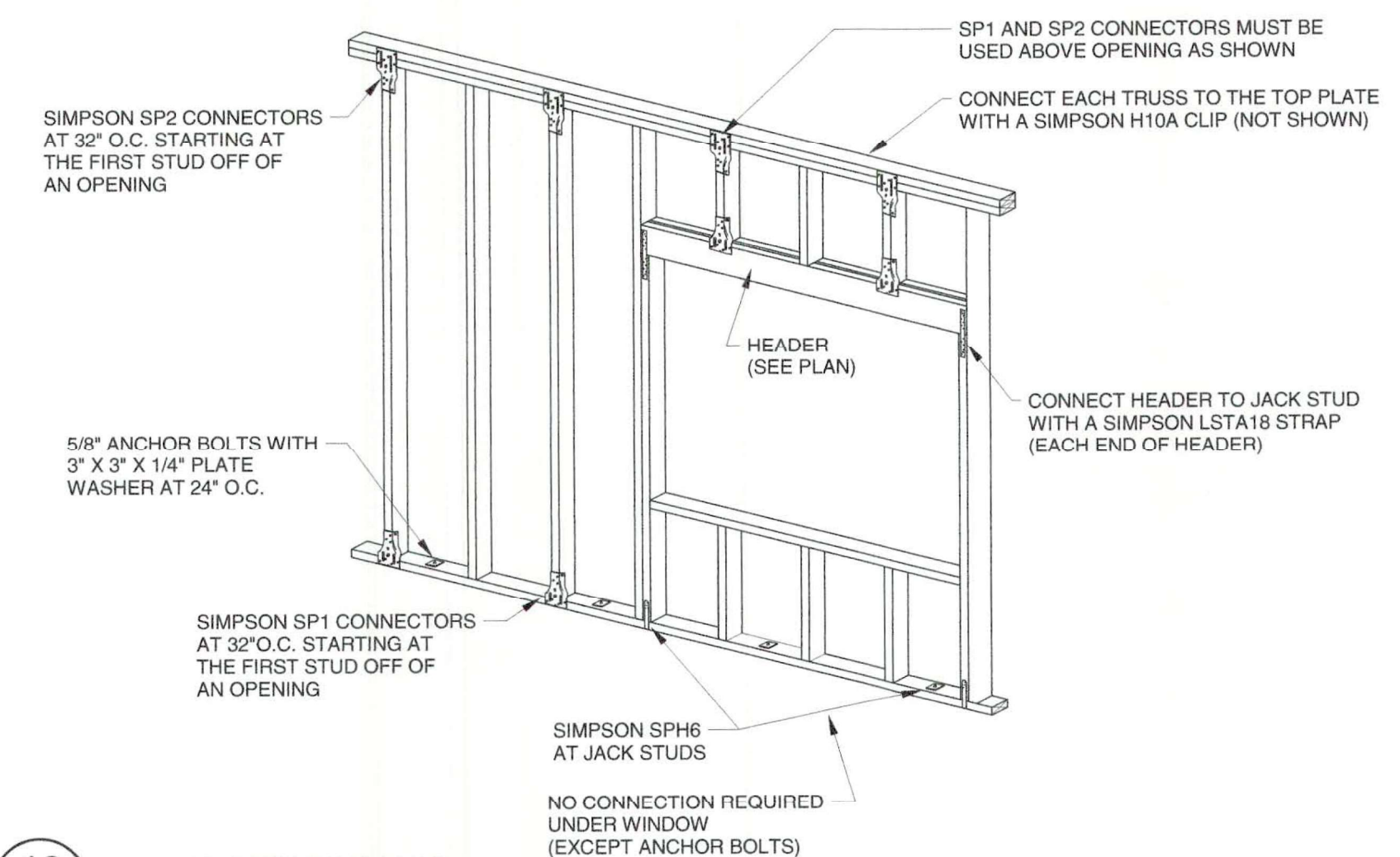
3
S3.0
3/4" = 1'-0"



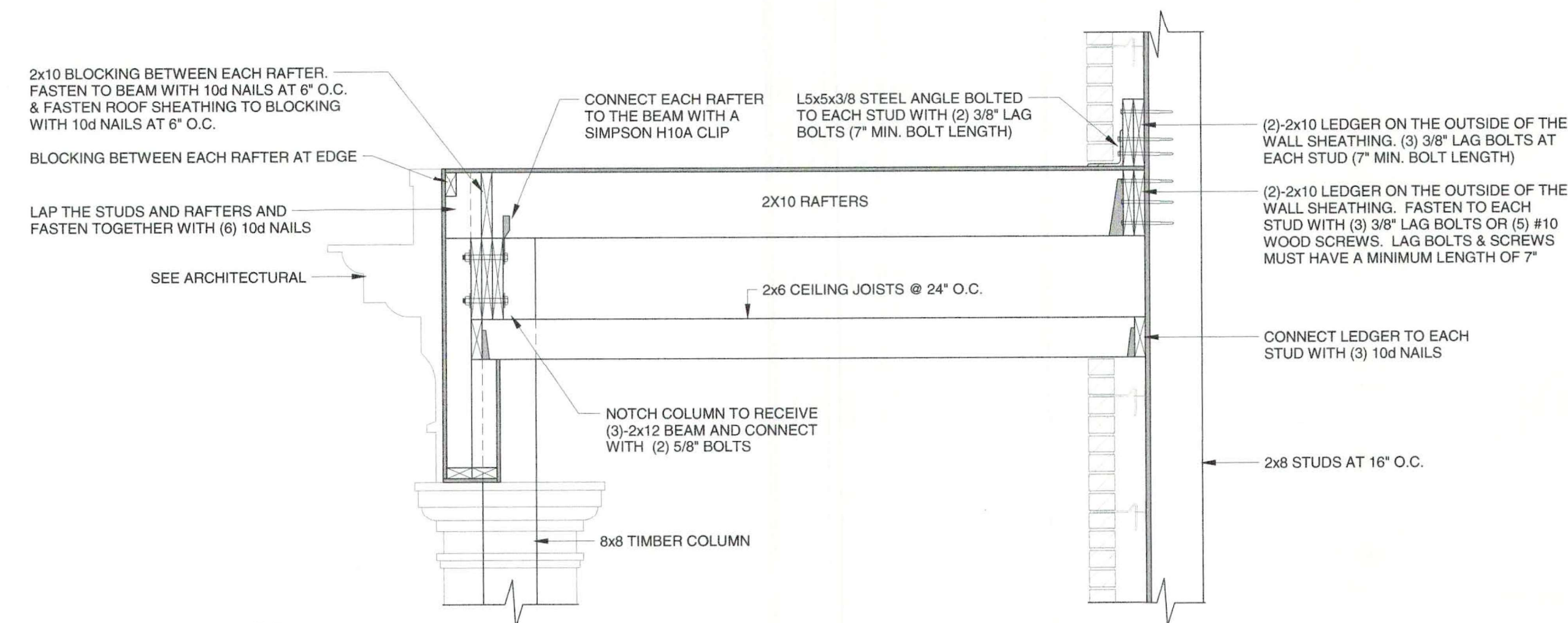
4
S3.0
1 1/2" = 1'-0"



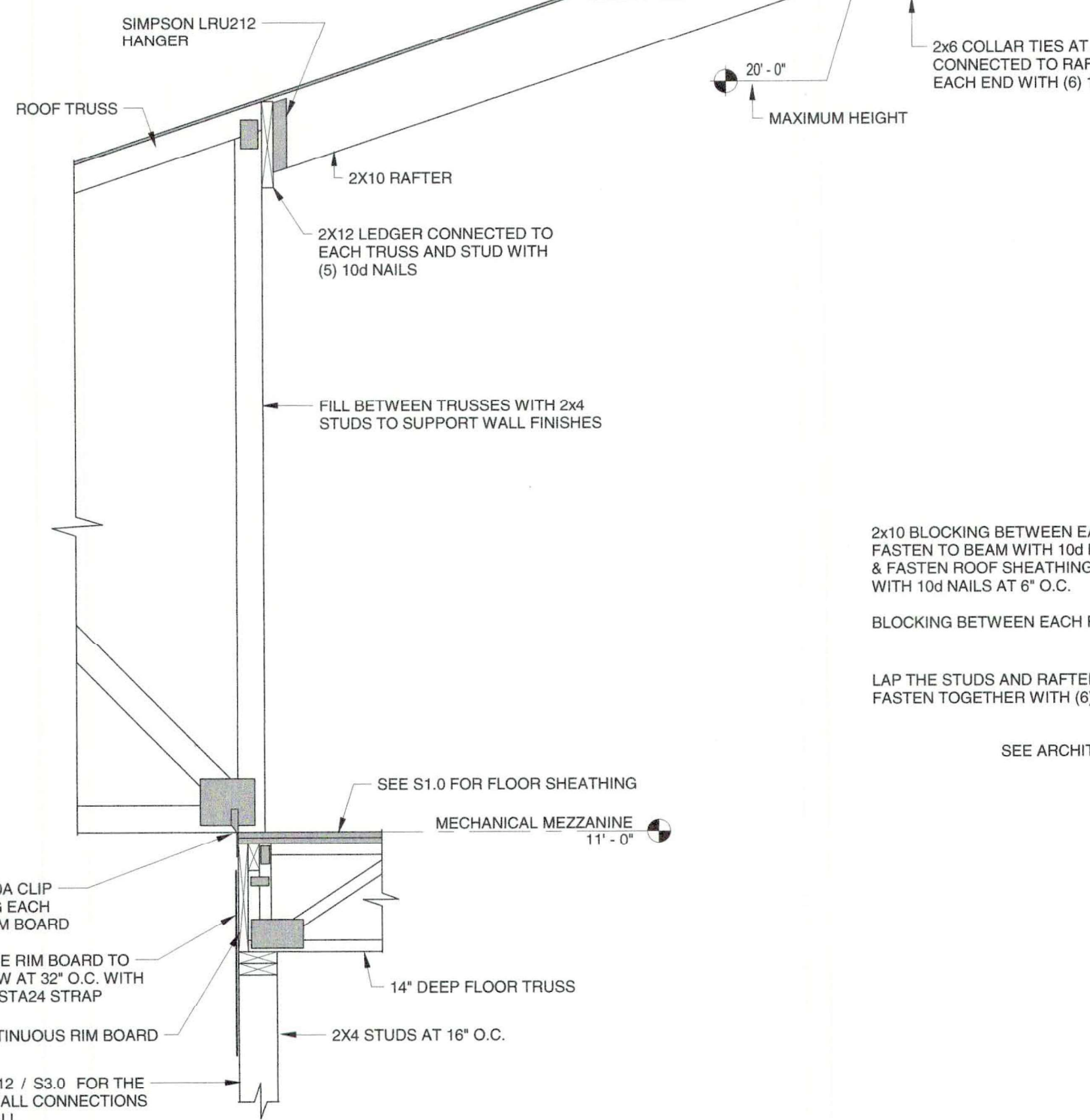
10
S3.0
3/4" = 1'-0"



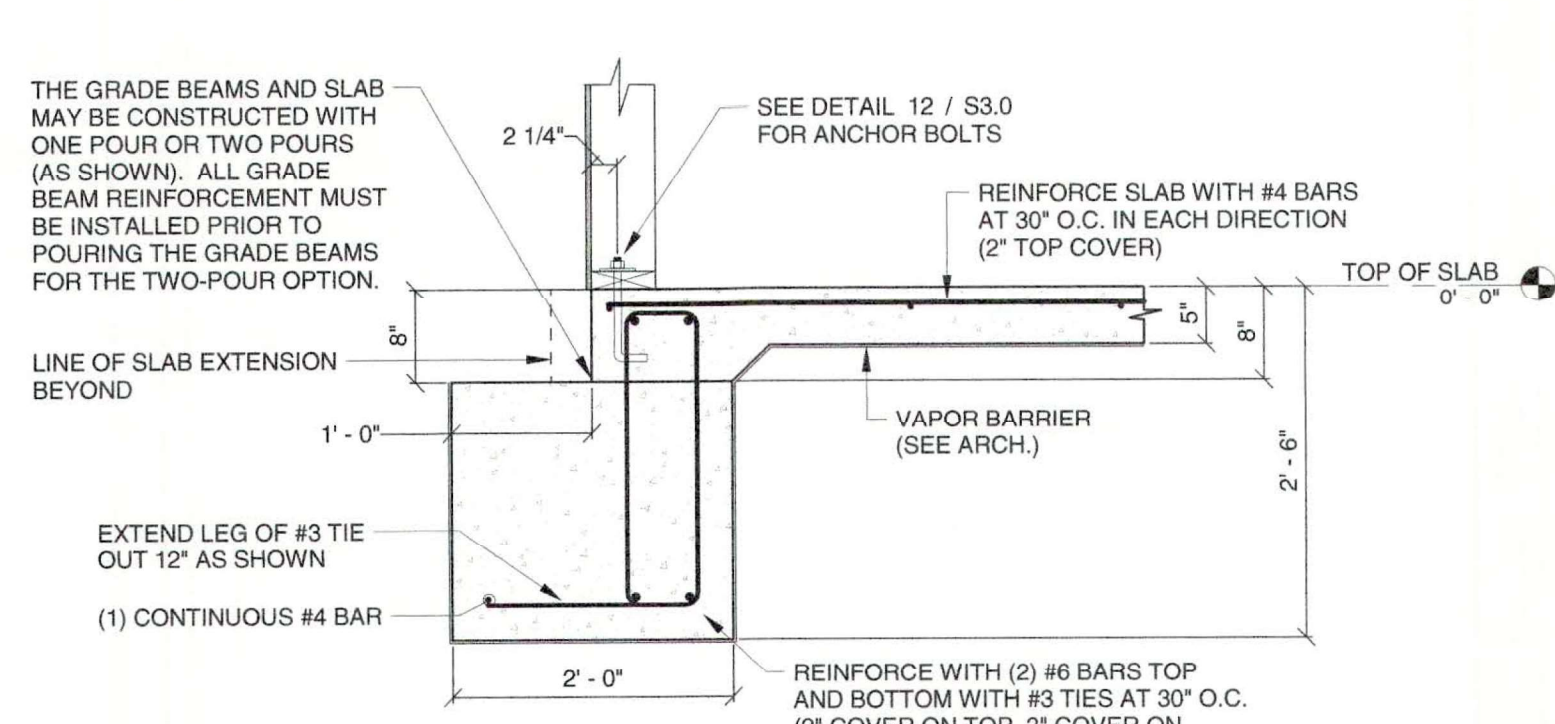
12
S3.0
1/4" = 1'-0"



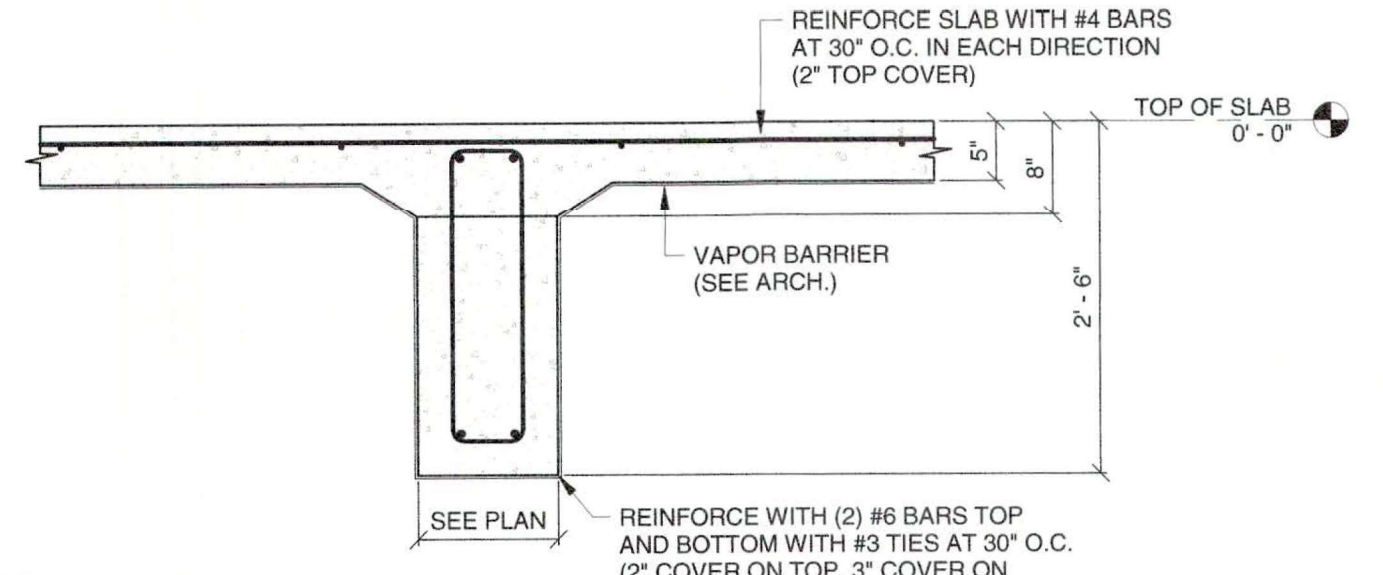
13
S3.0
3/4" = 1'-0"



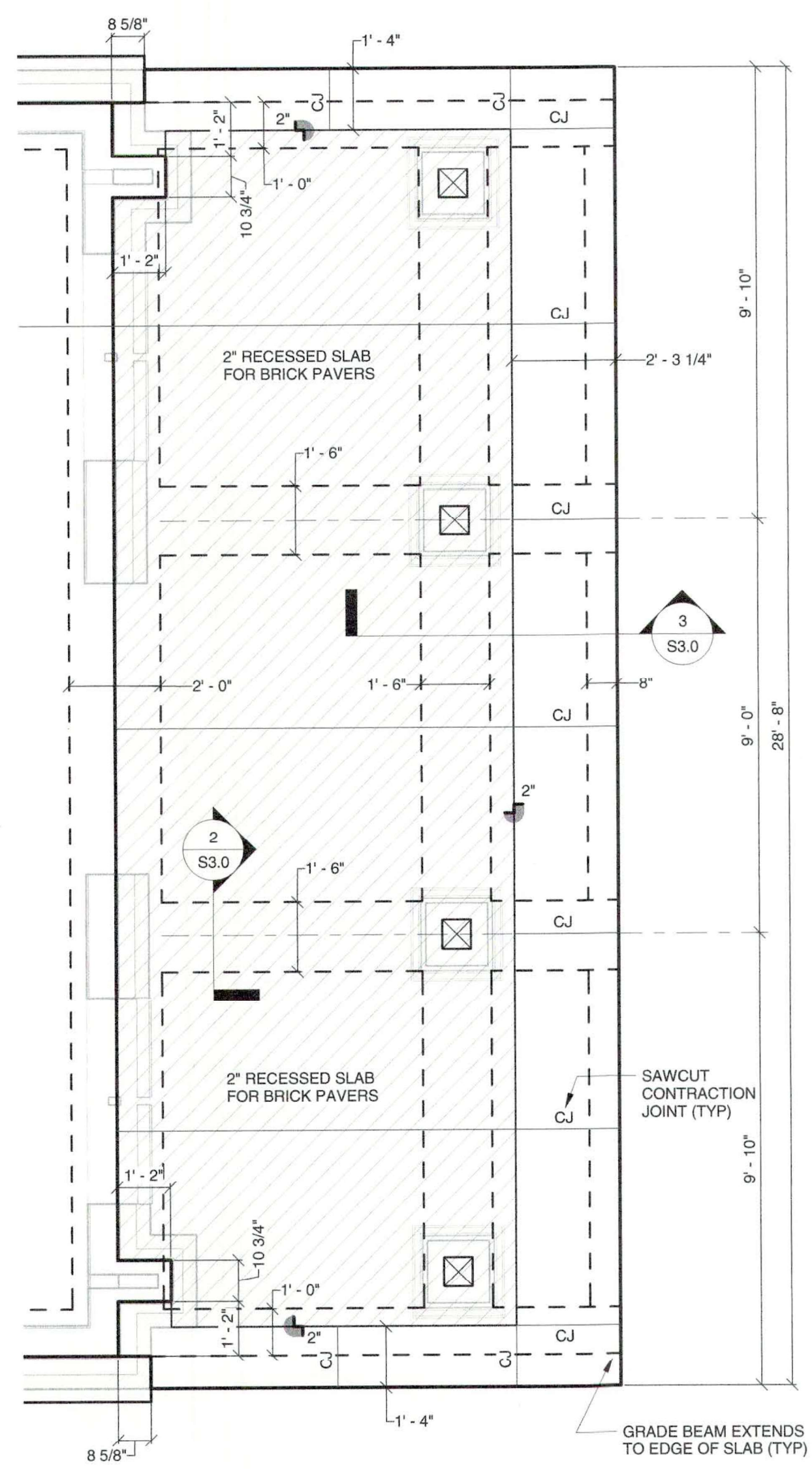
11
S3.0
3/4" = 1'-0"



1
S3.0
3/4" = 1'-0"



2
S3.0
3/4" = 1'-0"



9
S3.0
3/8" = 1'-0"