

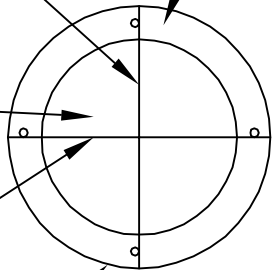
4 #5 REBAR
TOP & BOTTOM
(HORIZONTAL)

PILING

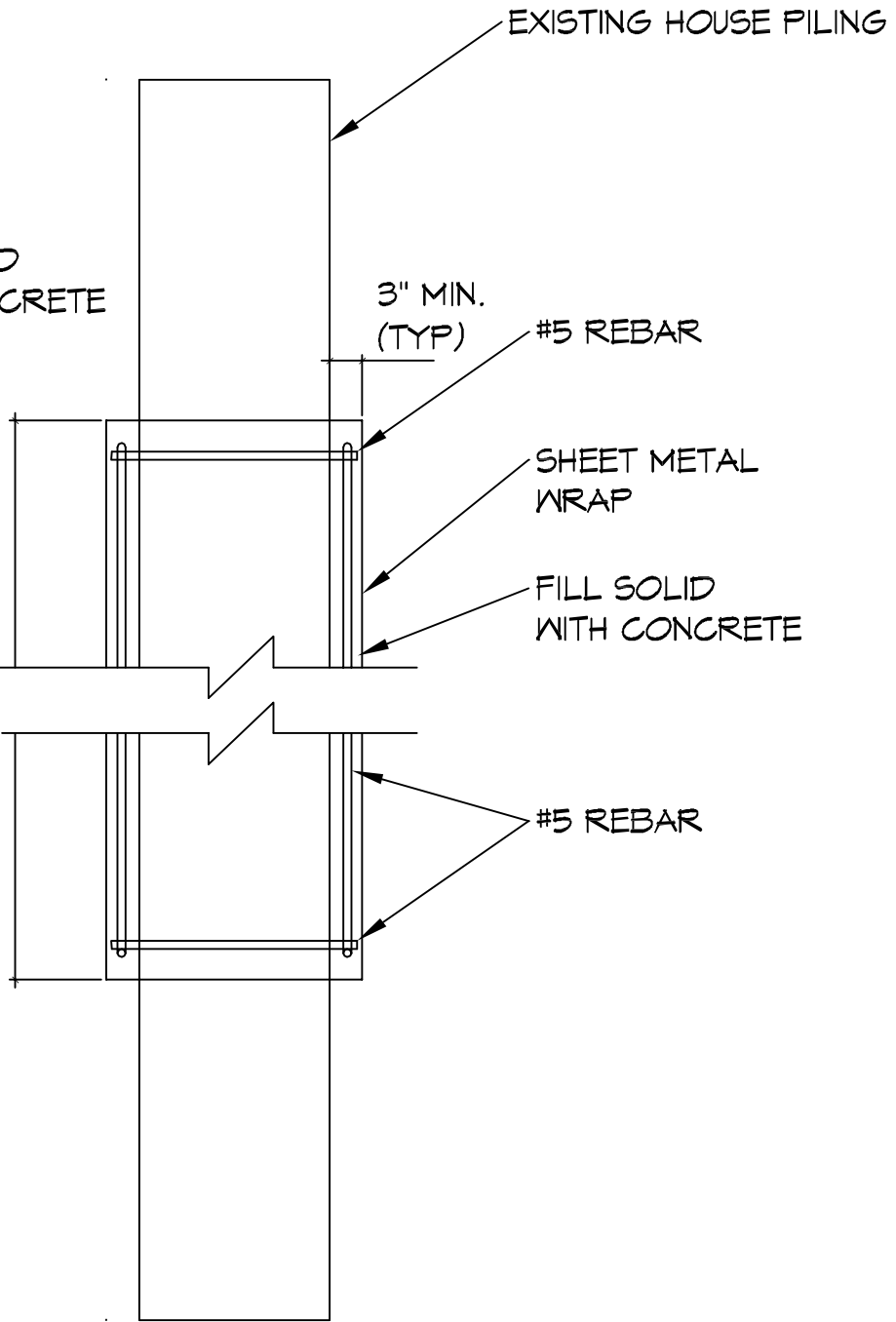
4 #5 REBAR
(VERTICAL)

SHEET
METAL
WRAP

FILL SOLID
WITH CONCRETE



FIELD VERIFY HEIGHT NEEDED
TO COVER ROTTEN WOOD



EXISTING HOUSE PILING

3" MIN.
(TYP)

#5 REBAR

SHEET METAL
WRAP

FILL SOLID
WITH CONCRETE

#5 REBAR