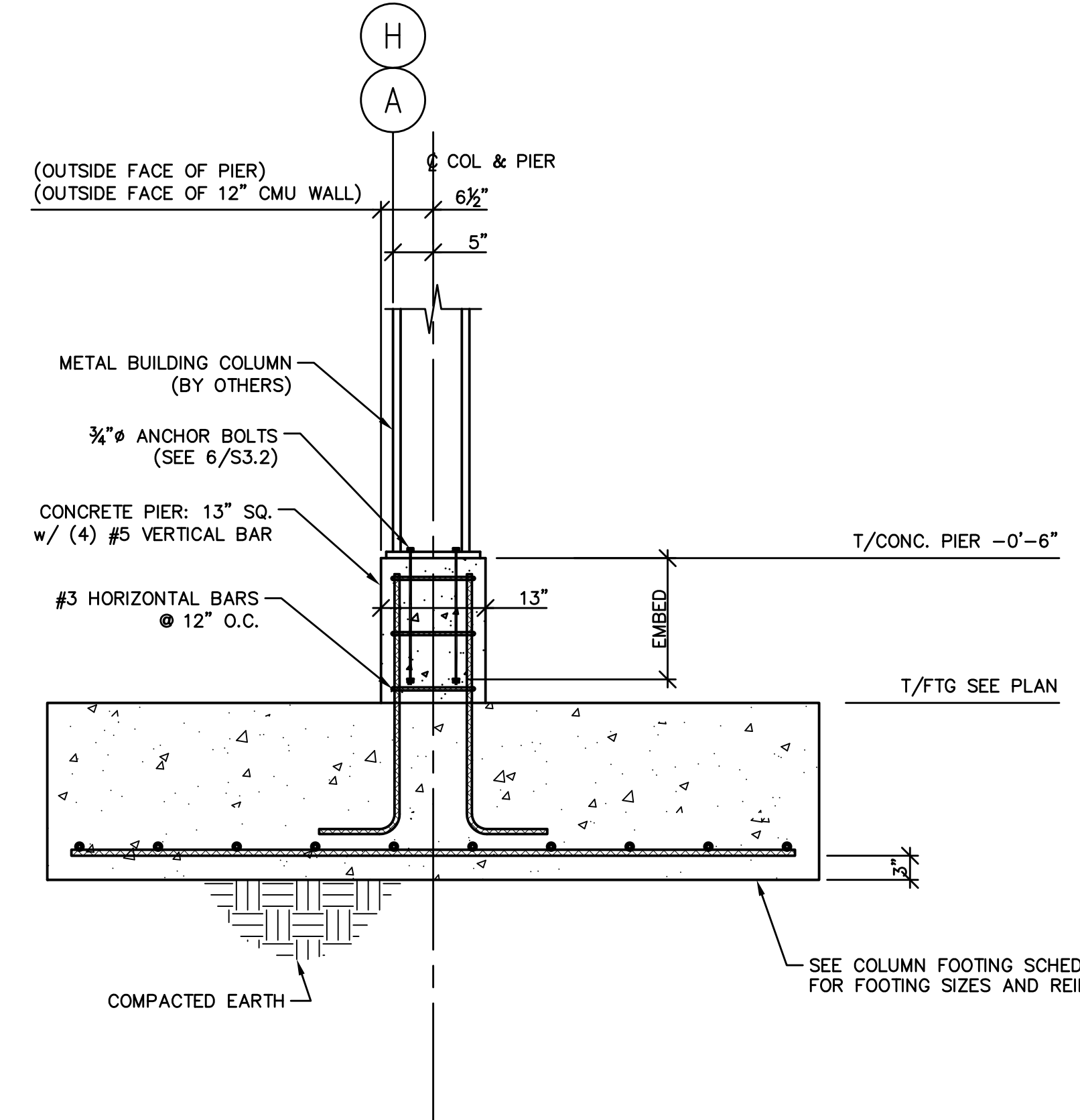
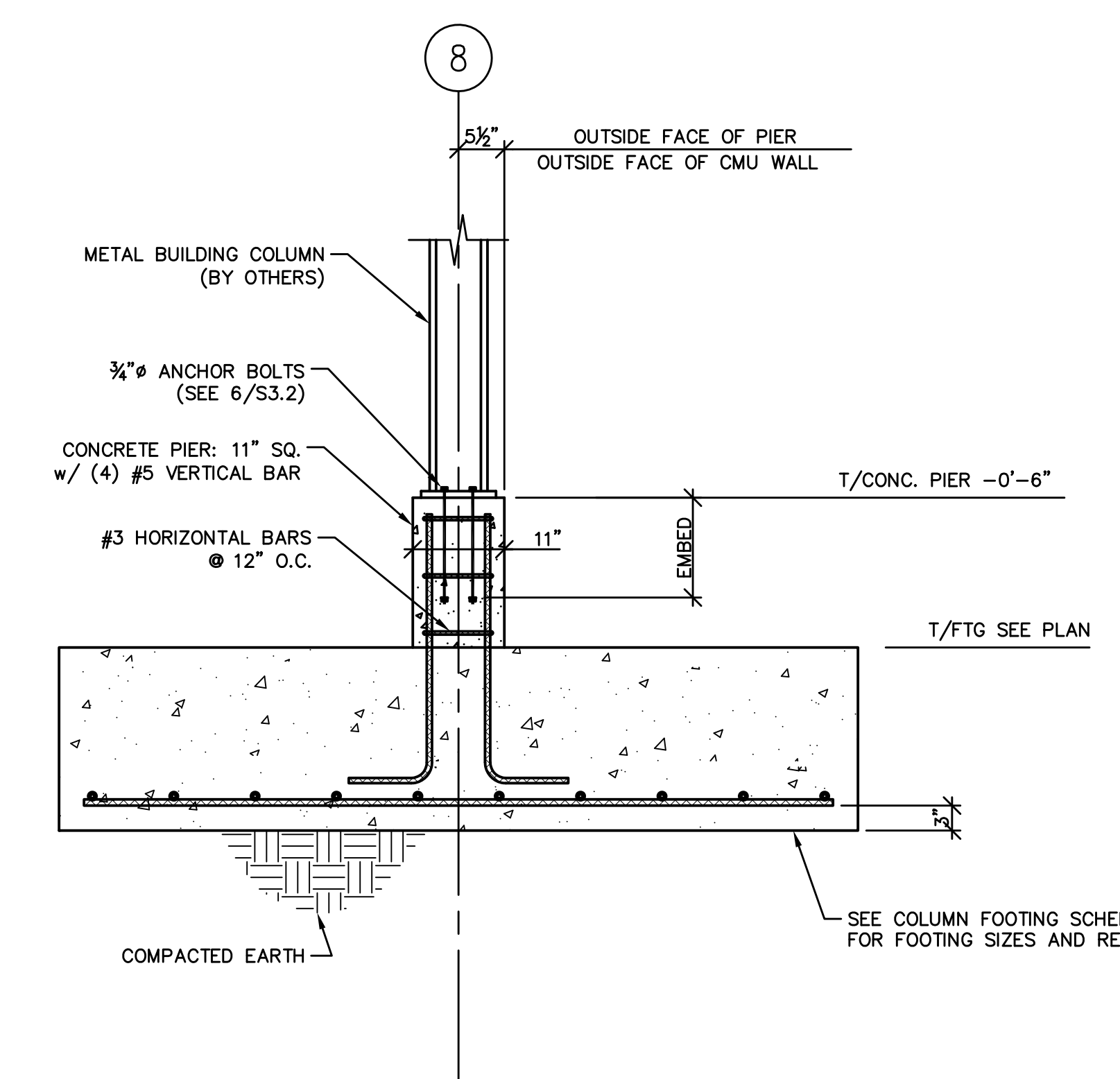


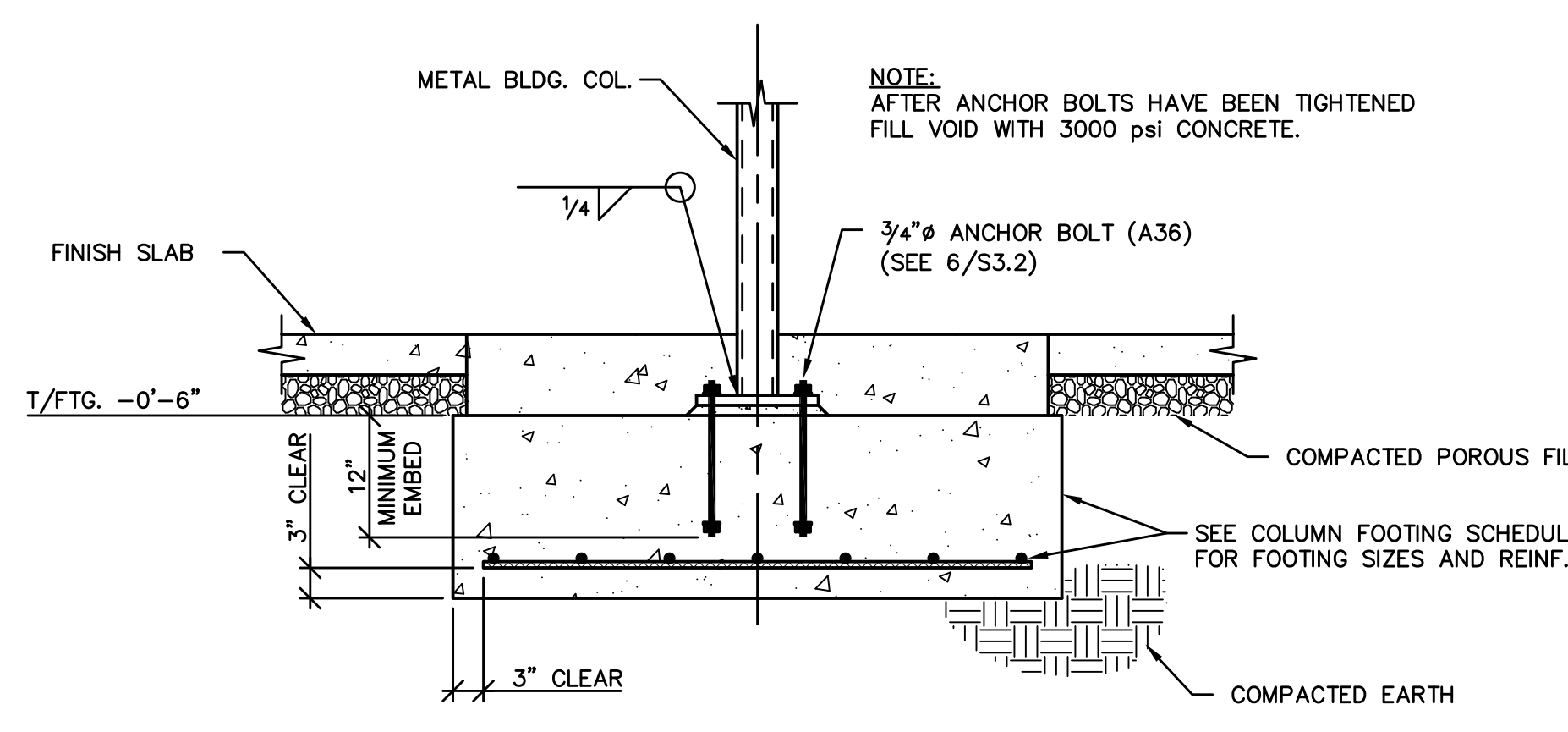
1 SECTION
SCALE: 3/4" = 1'-0"
(AT COLUMNS A & H)



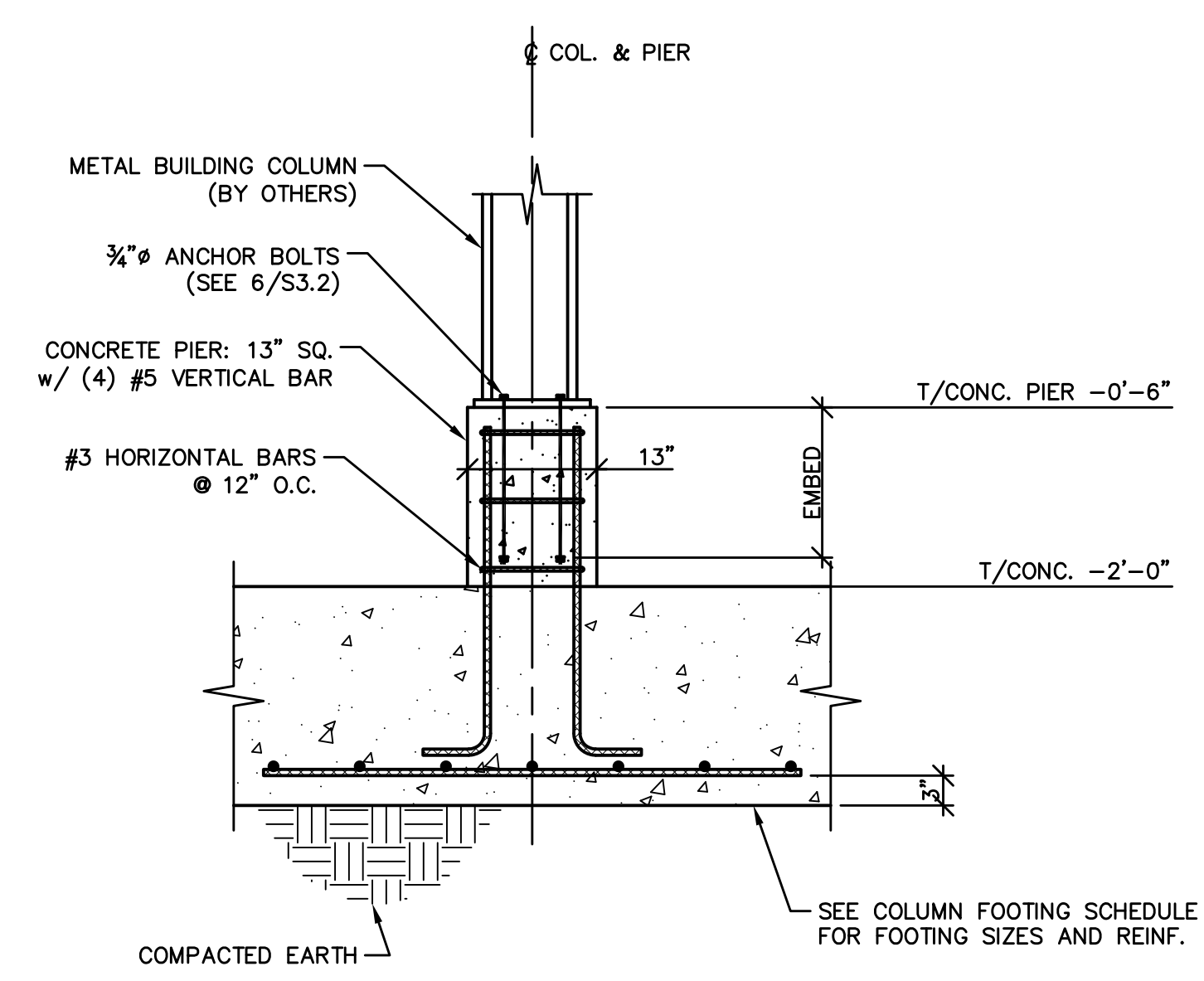
2 SECTION
SCALE: 3/4" = 1'-0"
(AT COLUMNS 3, 4, 5, 6, & 7)



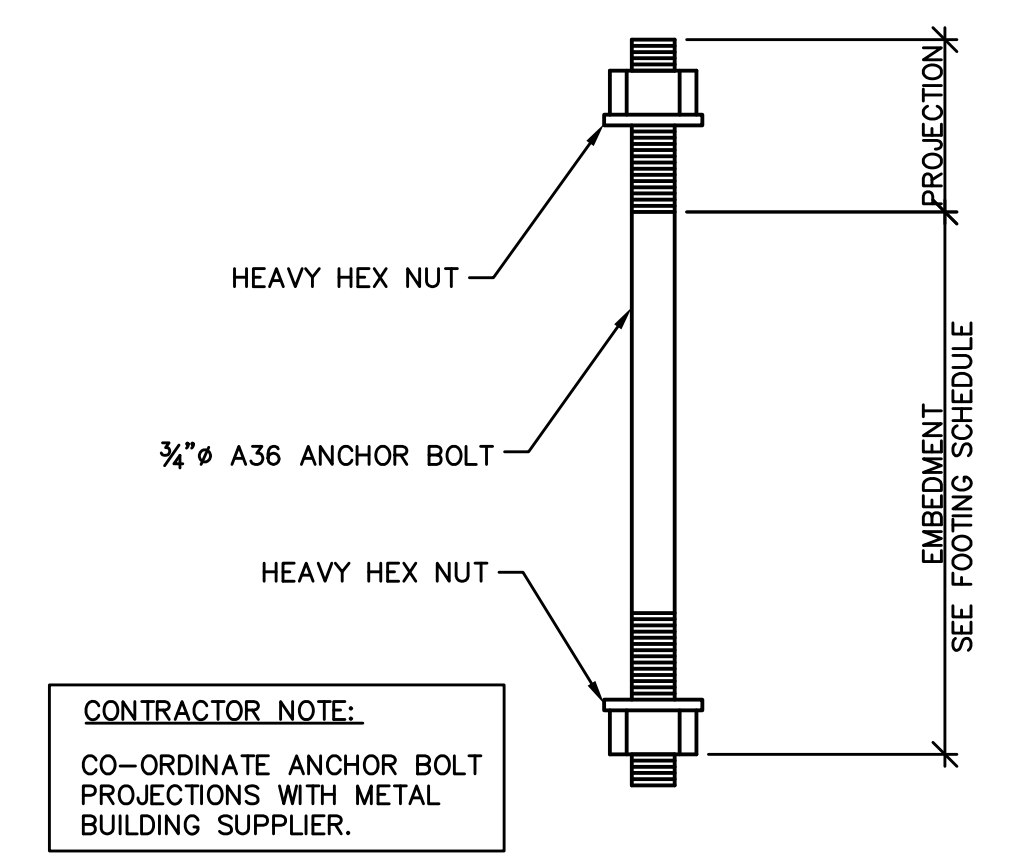
3 SECTION
SCALE: 3/4" = 1'-0"
(AT COLUMNS B, D, E, & G)



4 SECTION
SCALE: NONE
INTERIOR COLUMN FOOTING



5 SECTION
SCALE: NONE
ENTRANCE

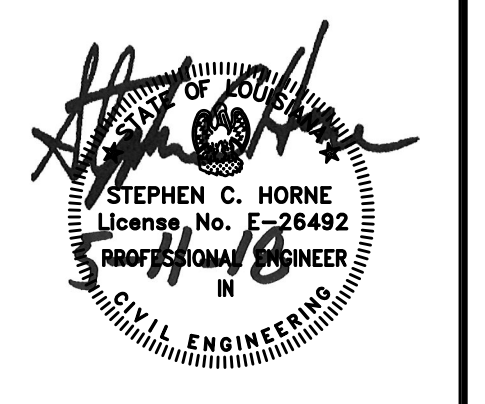


6 DETAIL
SCALE: NONE
ANCHOR BOLT

CONTRACTOR NOTE:
CO-ORDINATE ANCHOR BOLT PROJECTIONS WITH METAL BUILDING SUPPLIER.

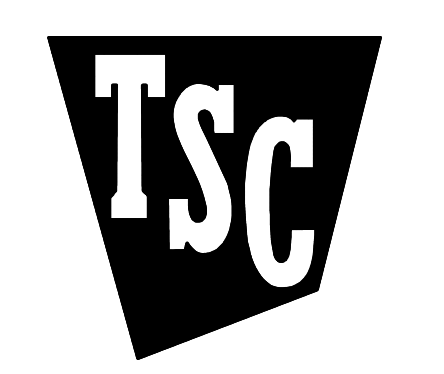
P.O. Box 529
22615 Highway 59 North
Robertsdale, Alabama 36567
Office: 251.947.3864
Fax: 251.947.3138

ADAMS STEWART ARCHITECTS, LLC
Architecture, Planning
Interiors, Construction Administration



Tractor Supply Company

2083 Gause Blvd West, Slidell Louisiana 70460



TRACTOR SUPPLY COMPANY

DATE	DESCRIPTION
January 29, 2018	ISSUE FOR SCHEDULE I
March 12, 2018	ISSUE FOR PERMIT
MAY 11, 2018	ISSUE FOR SCHEDULE II

PROJECT NO: 17-061 / S0318

SHEET NO:
SECTIONS AND DETAILS
S3.2