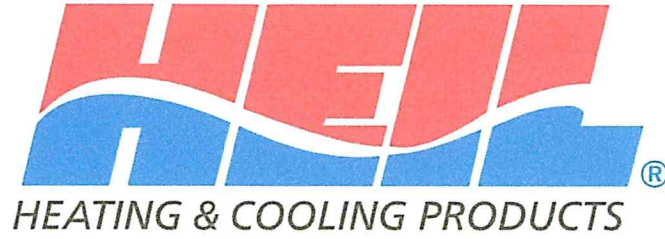


LOT 33 General Perford



## Submittal Data

**WEIXEL**

Date: February 10, 2026



Project: WEIXEL

120/208

Plan-ID	Qty	Model No	Description	Page
15-TON	1	RAF180H02A0AAA	Package AC <u>208/230-3</u> ph	3
(2-2024) Limited Warranty for All Commercial Rooftops & Commercial Split System Products				9

120 120 120  
1 1 1  
1 1 1



**Cooling Performance @ Project Parameters**

Gross Cooling Capacity	185,100	Btuh
Gross Sensible Capacity	133,100	Btuh
Gross Latent Capacity	52,000	Btuh
Net Cooling Capacity	180,550	Btuh
Net Sensible Capacity	128,550	Btuh
Efficiency (at AHRI)	11.00	EER
	14.70	IEER
Outdoor DB Temp	95.0	°F
Entering DB Temp	80.0	°F
Entering WB Temp	67.0	°F
Leaving DB Temp	59.5	°F
Leaving WB Temp	57.4	°F

**Electric Resistance Heat**

Model Number	CRHEATER415A00	
Nominal Heat Size	32	kW
Electric Heat Voltage	230	Volts
Heat Output	109,216	Btuh

**Supply Air Performance**

Total Supply Air	6000	cfm
External Static Pressure	0.30	in wg.
Option Static Pressure	0.07	in wg.
Blower Type:		
Vane Axial Fan with Direct Drive ECM Motor		
Blower RPM	1529	rpm
Power Input	1.79	bhp
Motor Max BHP	3.00	bhp

*Air flow is based on wet coil and clean filters*

*Supply Air Performance is shown for Cooling Mode*

**Electrical Data**

Power Supply	208/230	Volts
	3	Phase
	60	Hertz
Total System MCA including	106	Amps
Electric Heat		
MOCP	110	Amps

**Weight**

Unit Weight	1325	lb
Accessory Weight	250	lb
Total Weight	1575	lb

**Factory Options Selected**

- 2 - Standard/Medium Static X-Vane Fan
- A - Alum/Copper Condenser and Evaporator Coil

**Field Installed Accessories**

- CRHEATER415A00 - 32 kW
- CRRFCURB074A00 - 14 inch High Roof Curb. Ductwork attaches to the roof curb. Includes thru-the-bottom capability.
- CRMANDPR011A00 - 50% Open Manual Fresh Air Damper
- CRLVHLGD032A00 - Louvered Condenser Coil Hail Guard -- Includes louvered panel(s) to protect condenser coil from damage and vandalism.
- CRSINGLE049A00 - Single Point Wiring Kit



**Features**

**Package Electric Cooling, R-454B Package Rooftop Performance**

- Non-ozone depleting and low global warming potential R-454B refrigerant
- Two-stage cooling.
- A2L leak detection and dissipation system factory installed standard
- Leak system ensures unit and occupant safety during operation and includes an alarm relay for optional use
- Onboard recallable leak detection history for easier troubleshooting and service
- High efficiency X-Vane™ Vane Axial Fan System
- Unit control board with intuitive indoor fan adjustments using a dial and switch
- High efficiency RTU units exceed DOE's new stringent 2023 IEER efficiency requirements
- ASHRAE 90.1, and IECC code compliant
- Copper tube aluminum fin coils with optional corrosion resistant coils
- Non-corrosive composite condensate pan in accordance with ASHRAE 62 Standard, sloping design
- Pre-painted exterior panels and primer-coated interior panels tested to 500 hours salt spray protection.
- Fixed refrigerant metering system
- Fully insulated cabinet.
- Standard cooling operating range up to 125°F (52°C), and down to 40°F (4°C). Low Ambient kits allows cooling operation down to -20°F (-29°C).
- Rated in accordance with AHRI Standard 340/360
- Designed in accordance with Underwriters' Laboratories Standard UL 60335-1 and UL 60335-2-40

**Reliability**

- A2L leak detection and dissipation system factory installed standard
- Highly protected Tandem Scroll compressors with internal line-break overload protection
- 24-volt control circuit protected with resettable circuit breaker
- Permanently lubricated evaporator-fan motor
- Low Pressure switch and high-pressure switch protection
- Mixed Air Temperature switch protects the compressors when a combination of outdoor air and return falls below unsafe compressor limits
- Liquid line filter drier on each circuit

**Limited Warranty**

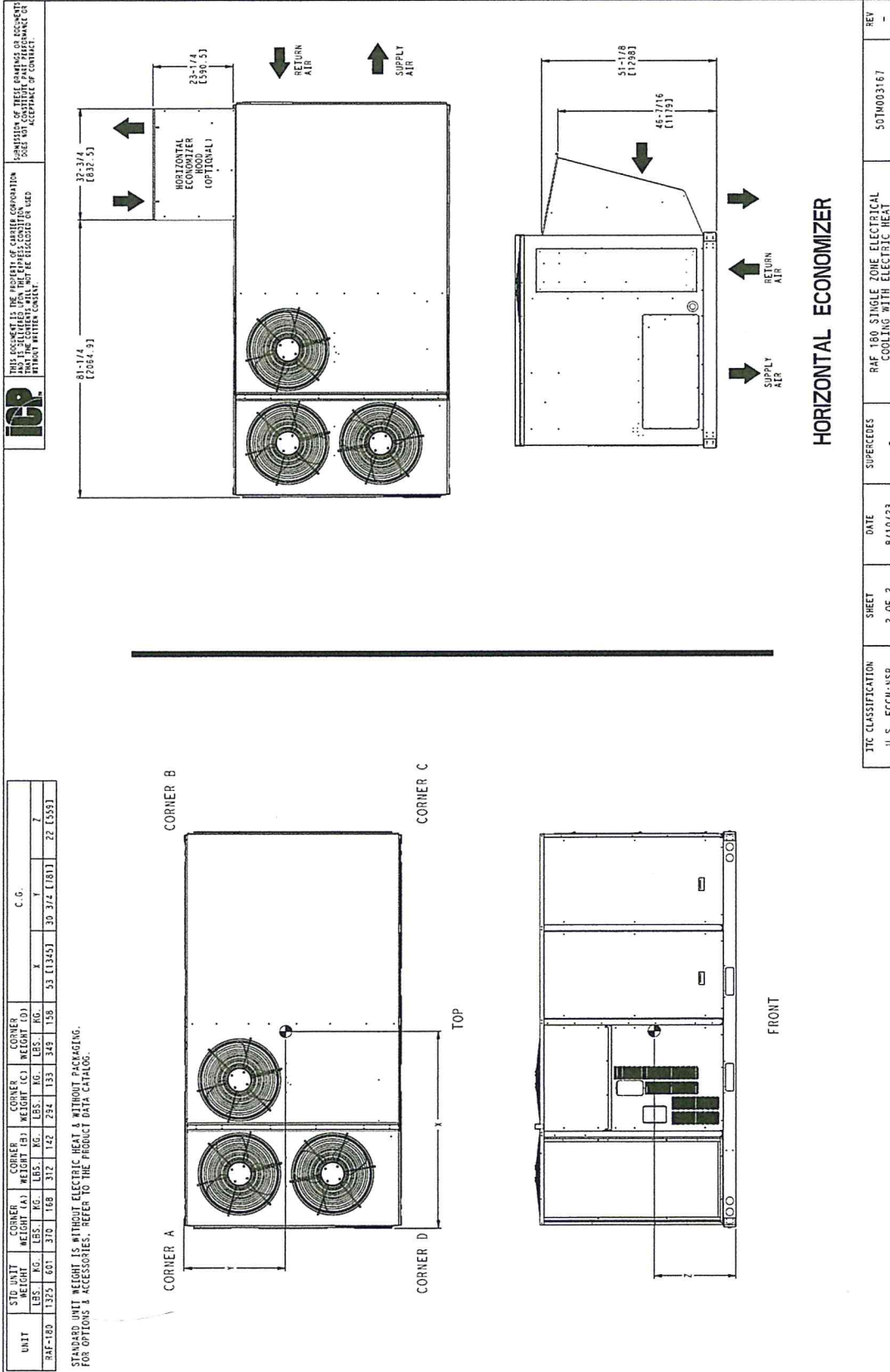
- 5 year limited compressor parts warranty
- 5 year limited electric heater parts warranty
- 1 year limited parts warranty

**A-Weighted Sound Power Level**

SOUND RATING (dBA)	TYPICAL OCTAVE BAND SPECTRUM (dB, without tone adjustment)						
	125	250	500	1000	2000	4000	8000
87	85.2	84.6	84.9	82.2	78.4	75.3	72.9

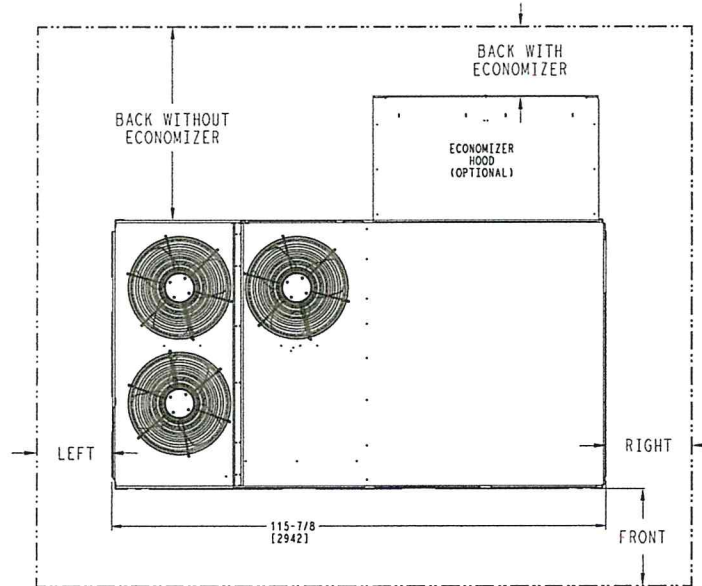
NOTE: Tested in accordance with AHRI standard 270-2008 (not listed in AHRI)





JTC CLASSIFICATION	SHEET	DATE	SUPERCEDES	REV
U.S. - ECCH: NSR	2 OF 2	8/10/23	-	-
RAF 180 SINGLE ZONE ELECTRICAL COOLING WITH ELECTRIC HEAT				507M003167

RAF180 Base Unit Dimensions — Clearance



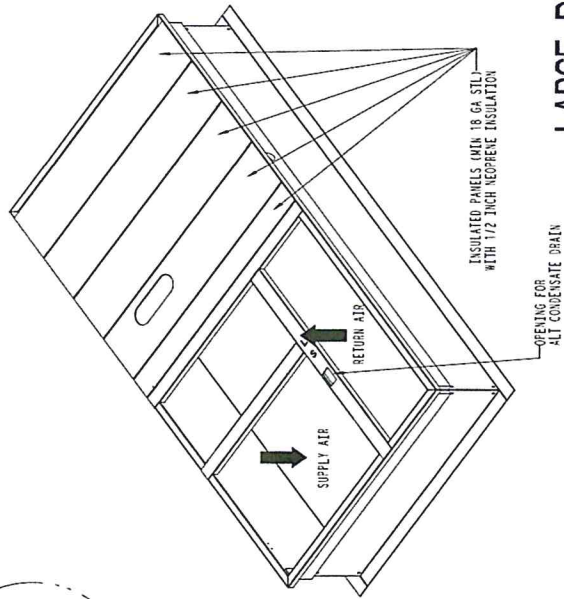
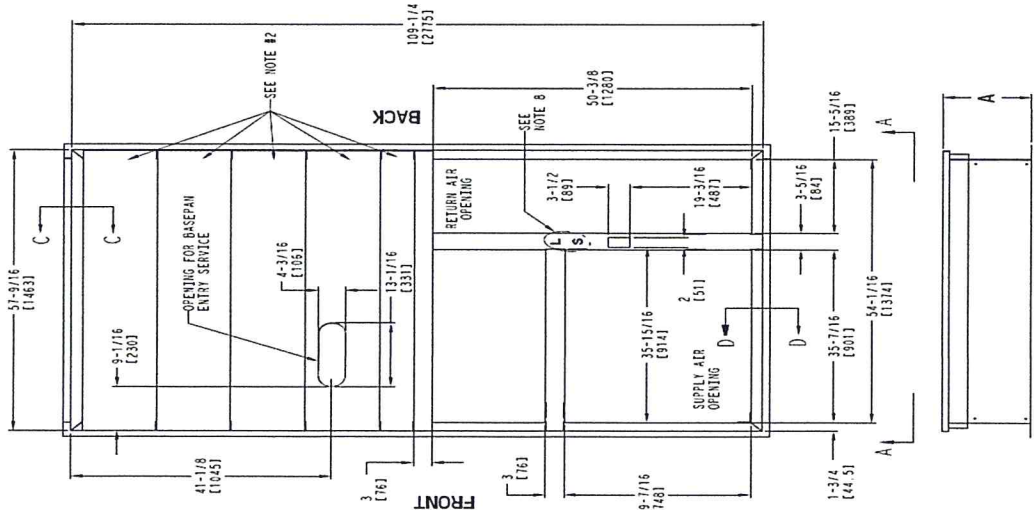
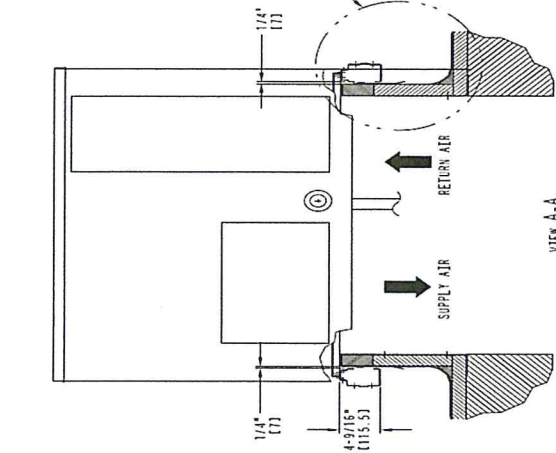
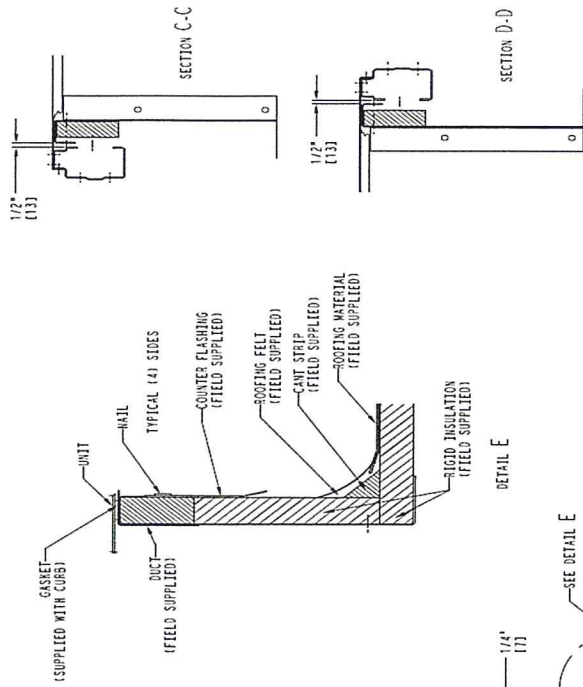
CLEARANCE<sup>a, b</sup>

SURFACE	Service with Conductive Barrier	Service with Non-conductive Barrier	Operating Clearance
FRONT	48 in. (1219 mm)	36 in. (914 mm)	18 in. (457 mm)
LEFT	48 in. (1219 mm)	42 in. (1067 mm)	18 in. (457 mm)
BACK WITHOUT ECONOMIZER	48 in. (1219 mm)	42 in. (1067 mm)	18 in. (457 mm)
BACK WITH ECONOMIZER	36 in. (914 mm)	36 in. (914 mm)	18 in. (457 mm)
RIGHT	36 in. (914 mm)	36 in. (914 mm)	18 in. (457 mm)
TOP	72 in. (1829 mm)	72 in. (1829 mm)	72 in. (1829 mm)

NOTE(S):  
a. For all minimum clearances local codes or jurisdictions may prevail.

- NOTES:
1. ROOF CURB ACCESSORY IS SHIPPED DISASSEMBLED.
  2. INSULATED PANELS: 1/2" THK. NEOPRENE FOAM, 1.0# DENSITY.
  3. DIMENSIONS IN " ARE IN MILLIMETERS.
  4. ROOF CURB SIDERAILS: 16 GAGE STEEL.
  5. EACH DUCT PASS TO CURB, FLANGES OF DUCT REST ON CURB.
  6. SEALS AND GASKETS TO BE SUPPLIED BY EACH SIDE.
  7. SEE DIRECTION OF AIR FLOW.
  8. "L" & "S" DESIGNATIONS INDICATE LOCATION OF COMMON CROSS RAIL. (POSITION "L" FOR LARGE DUCT OPENING CURB).

ROOF CURB ACCESSORY #	A
CRFCURB071400	14" (356)
CRFCURB071500	24" (610)



# LARGE DUCT OPENINGS

REV	B
507M500780	

MAX CURB LEVELING TOLERANCES

# International Comfort Products

## Limited Warranty Certificate

**COVERED PRODUCTS:** All Commercial Rooftops and Commercial Split System Products (See Chart Below)

**FOR WARRANTY SERVICE OR REPAIR:**

Contact the installer or an International Comfort Products dealer. You may be able to find the installer's name on the equipment or in your Owner's Packet. You can also find an International Comfort Products dealer online at [www.icpusa.com](http://www.icpusa.com). For help, contact: International Comfort Products, Consumer Relations, P.O. Box 4808, Syracuse, New York, 13221, Phone 1-877-591-8908.

**Product registration:** You can register your product at <https://productregistration.icpusa.com>.

**Fill in the installation date, model and serial number of the unit in the space provided below and retain for your records.**

Model No. \_\_\_\_\_ Serial No. \_\_\_\_\_  
 Date of Installation \_\_\_\_\_ Installed by \_\_\_\_\_  
 Name of Owner \_\_\_\_\_ Address of Installation \_\_\_\_\_

International Comfort Products ("ICP") warrants this product against failure due to defect in materials or workmanship under normal use and maintenance as follows. All warranty periods begin on the date of original installation and are for the duration, in years, listed below. If a part fails due to defect during the applicable warranty period ICP will provide a new or remanufactured part, at ICP's option, to replace the failed defective part at no charge for the part. Alternatively, and at its option, ICP will allow a credit in the amount of the then factory selling price for a new equivalent part toward the retail purchase price of a new ICP product. Except as otherwise stated herein, those are ICP's exclusive obligations under this warranty for a product failure. All warranties in this document are subject to all provisions, conditions, limitations and exclusions listed below and on the reverse of this document.

This warranty is to the original purchasing owner. The limited parts warranty period in years, depending on the part is as shown in the chart below.

### Warranty Details

Product Family	Product Description	Years of Warranty			
		Stainless Steel Heat Exchanger	Aluminized Heat Exchanger	Compressor	Parts
RGF, RGG, RGV, RGW*	Packaged Gas Electric	15	10	5	1
RAF, RAG, RAV, RAW *	Package Air Conditioner	—	—	5	1
RHF, RHG, RHV, RHW*	Package Heat Pump	—	—	5	1
CAL, CAS, CHL, CHS	A/C and Heat Pump Condensers	—	—	5	1
FAL, FAS, FAX, FHL, FHS, FHX	A/C and Heat Pump Fan Coils	—	—	—	1

\* AIR ECONOMIZER – If the product identified herein is equipped with a factory-installed air economizer that complies with California Energy Commission Title 24, Section 120.2 and Section 140.4, this limited warranty applies for four years from the date of the end of the first year all parts limited warranty to the factory-installed air economizer only in the product identified herein.

**LEGAL REMEDIES** - The owner must notify the Company in writing, by certified or registered letter to ICP, Warranty Claims, P.O. Box 4808, Syracuse, New York 13221, of any defect or complaint with the product, stating the defect or complaint and a specific request for repair, replacement, or other correction of the product under warranty, mailed at least thirty (30) days before pursuing any legal rights or remedies.

# International Comfort Products

## Limited Warranty Certificate

### CONDITIONS:

The Limited Warranty only applies if the following conditions are met:

1. Proof of purchase may be required at time of service.
2. The unit must be installed, and warranty work must be performed, by a licensed dealer or contractor.
3. The unit must be installed in accordance with ICP's installation instructions and in compliance with local codes. Improper installation may endanger the occupants of the dwelling or damage the product.
4. The unit must be operated in accordance with ICP's owner's manual provided with each unit. The product must not be misused.
5. The unit's rating plate must not be removed or defaced.
6. Proof must be supplied that the equipment has been properly maintained over the life of the warranty, i.e., a minimum of once-a-year maintenance.
7. The unit must be installed and located in the continental U.S.A., Alaska, Hawaii, or Canada.
8. Warranties apply only to products installed in their original installation location.
9. Defective parts must be returned to the distributor through a servicing dealer for credit.
10. All other accessories, including electric heaters used in commercial applications, will have a one (1) year limited warranty from date of installation.

**LIMITATIONS OF WARRANTIES – All implied warranties (and implied conditions in Canada) including implied warranties or conditions of merchantability and fitness for a particular use or purpose are limited in duration to the period for which the limited warranty is given and applies. Some states or provinces do not allow limitations on how long an implied warranty or condition lasts, so this limitation may not apply to you. The express warranties made in this warranty are exclusive and may not be altered, enlarged, or changed by any distributor, dealer, or other person, whatsoever.**

### THIS WARRANTY DOES NOT COVER:

1. Labor or other costs incurred for diagnosing, repairing, removing, installing, shipping, servicing, or handling of either failed parts, or replacement parts, or new units.
2. Any product not installed pursuant to the regional efficiency standards issued by the Department of Energy.
3. Normal maintenance as outlined in the installation and servicing instructions or owner's manual including coil cleaning, filter cleaning and/or replacement, and lubrication.
4. Damage or repairs required as a consequence of improper shipping or handling, faulty installation, misapplication, abuse, improper servicing, unauthorized alteration, and/or improper operation.
5. Failure to start or damages due to voltage conditions, blown fuses, open circuit breakers, or the inadequacy, unavailability, or interruption of electrical, internet service provider, or mobile device carrier service or your home network.
6. Failure or damage as a result of floods, winds, fires, lightning, accidents, corrosive environments (except for coastal rated units in coastal environments), rust and wear, or other conditions beyond the control of ICP.
7. Parts not supplied or designated by ICP, or damages resulting from their use.
8. Electricity or fuel costs or increases in electricity or fuel costs from any reason whatsoever including additional or unusual use of supplemental electric heat.
9. Any special, indirect, or consequential property or commercial damage of any nature whatsoever. Some states do not allow the exclusion of incidental or consequential damages, so the above limitation may not apply to you.
10. Refrigerant or any costs related thereto.
11. Any product purchased on the internet.

**This warranty gives you specific legal rights, and you may also have other rights which vary from state to state or province to province.**

In the USA:  
International Comfort Product  
650 Heil-Quaker Avenue  
P.O. Box 128  
Lewisburg, Tennessee 37091  
(931) 270-4100

In Canada:  
International Comfort Products  
Division of UTC Canada Corporation  
6060 Burnside Court, Unit 1  
Mississauga, Ontario L5T 2T5  
(905) 795-8113

© Carrier 2024

Manufacturers of Airquest®, Arcoaire®, Climette®, Comfortmaker®, Day & Night™, Dettson®, Heil®, ICP Commercial®, Keeprite®, Tempstar®, and other quality brand name private label products.

525 06 1501 00 February 2024