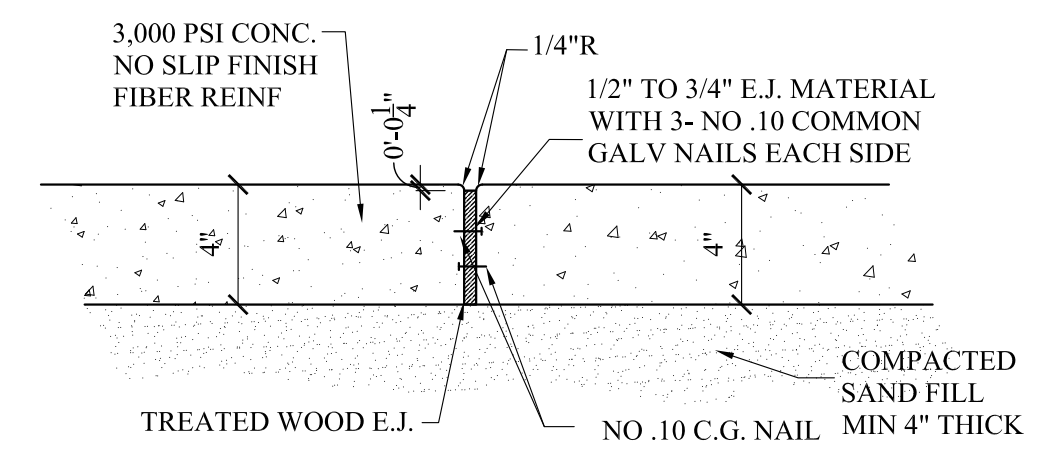
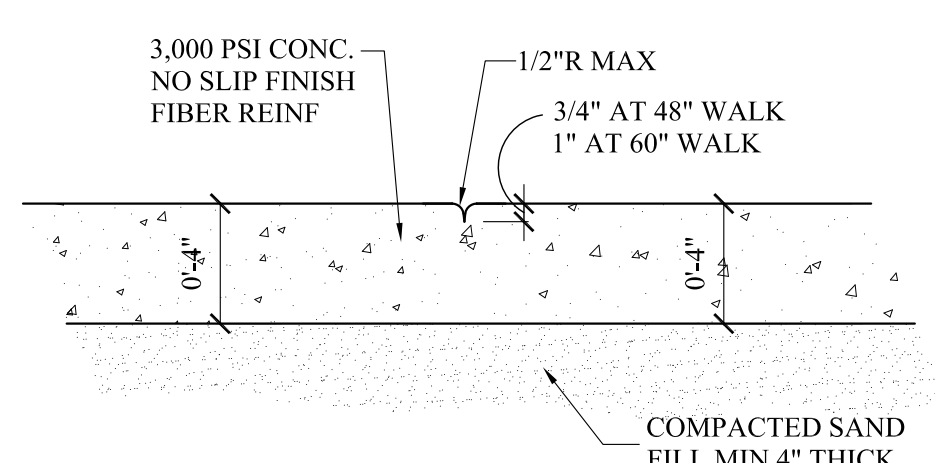


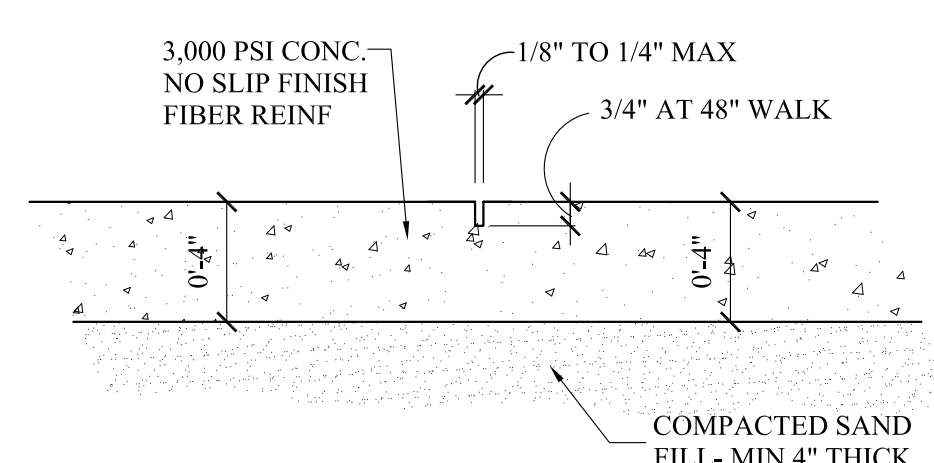
REVISIONS	BY
1	JFS
03/10/2025	JFS



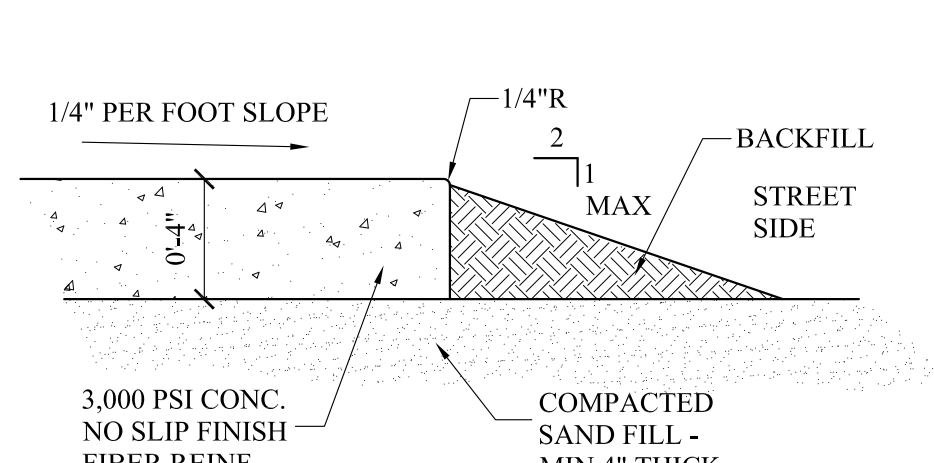
TYPICAL EXPANSION JOINT- SIDEWALK
SPACING MAX 60'-0"



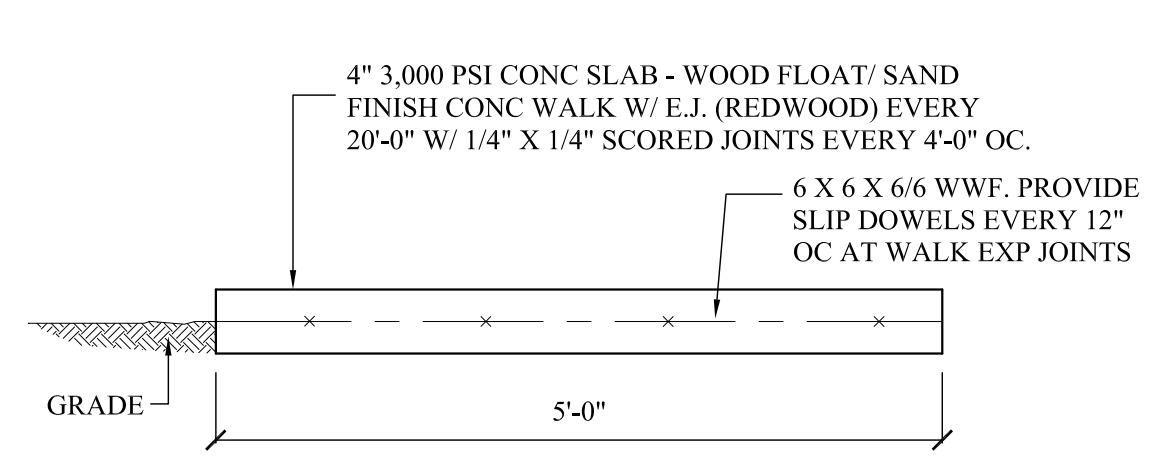
HAND TOOLED SIDEWALK JOINT



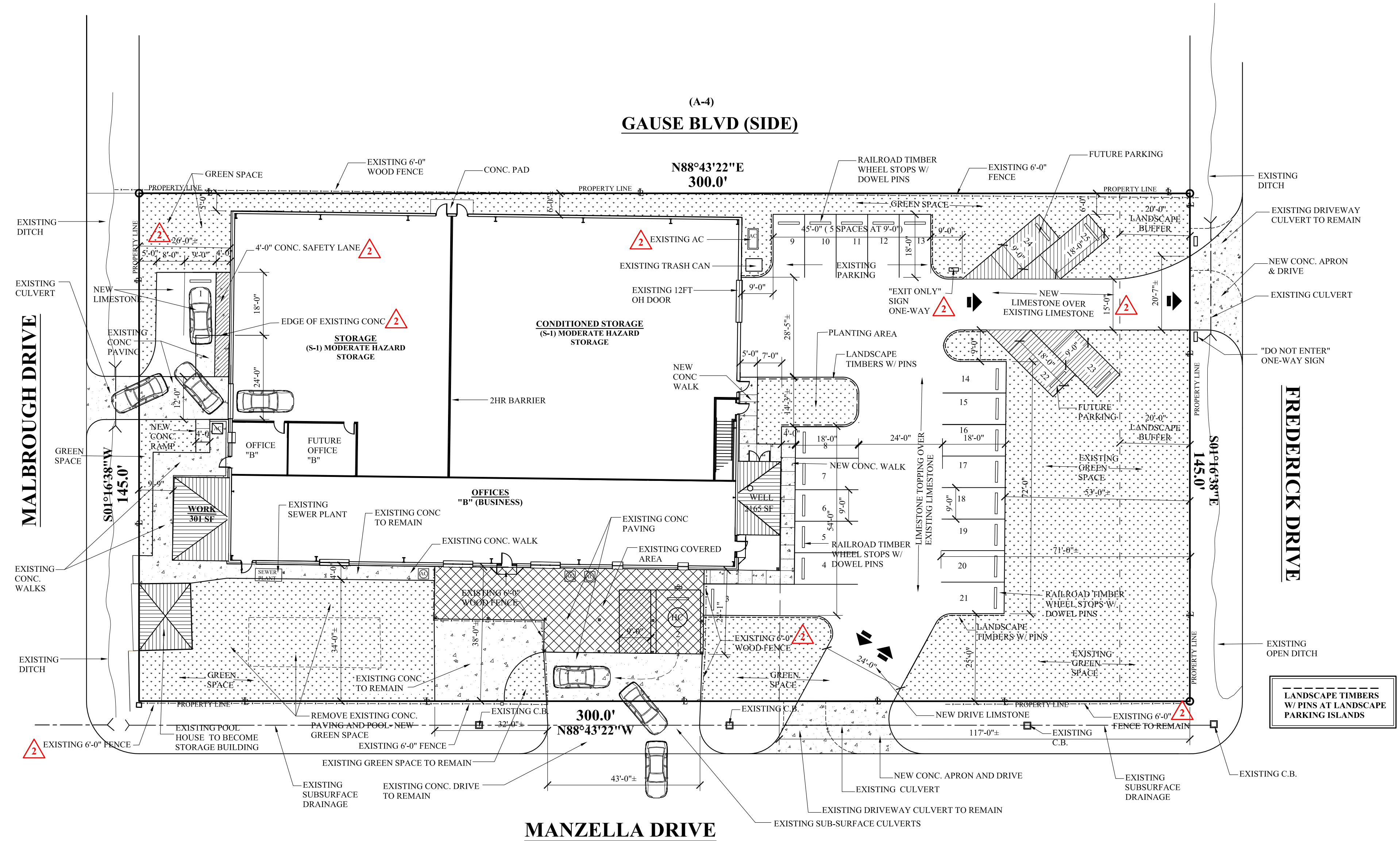
TYPICAL SAW CUT JOINT AT WALK



TYPICAL WALK EDGE



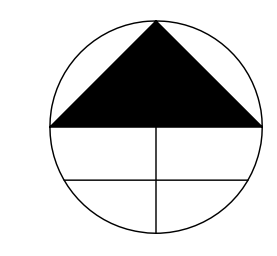
DETAIL- CONCRETE WALK
NTS



SITE PLAN- NEW WORK

SCALE: 1:20

SP-1



THESE DESIGN AND CONSTRUCTION DOCUMENTS AT THE SOLE PROPERTY OF JOSEPH F. SCHNEIDER, JR. AIA, ARCHITECT. NO USE OR REPRODUCTION OF THESE DOCUMENTS OR PARTIAL USE OR PARTIAL REPRODUCTION IS ALLOWED. NO USE OF THESE DRAWINGS WITHOUT THE WRITTEN EXPRESSED PERMISSION OF JOSEPH F. SCHNEIDER, JR. ARCHITECT IS ALLOWED.



NEW OFFICE/ STORAGE
38299 MANZELLA DRIVE
SLIDELL, LOUISIANA 70461

JOSEPH F. SCHNEIDER JR., AIA
ARCHITECT
LA #4206 MS #3020 AL #8724 FL #AR95908 TX #24294
105 EVANGELINE DRIVE, SLIDELL, LOUISIANA 70460
(985) 290-6648
jfsarchitect@charter.net

DRAWN	J. SCHNEIDER
CHECKED	J. SCHNEIDER
DATE	11/18/2024
SCALE	AS NOTED
JOB NO.	
SHEET	SP-1
OF	SHEETS