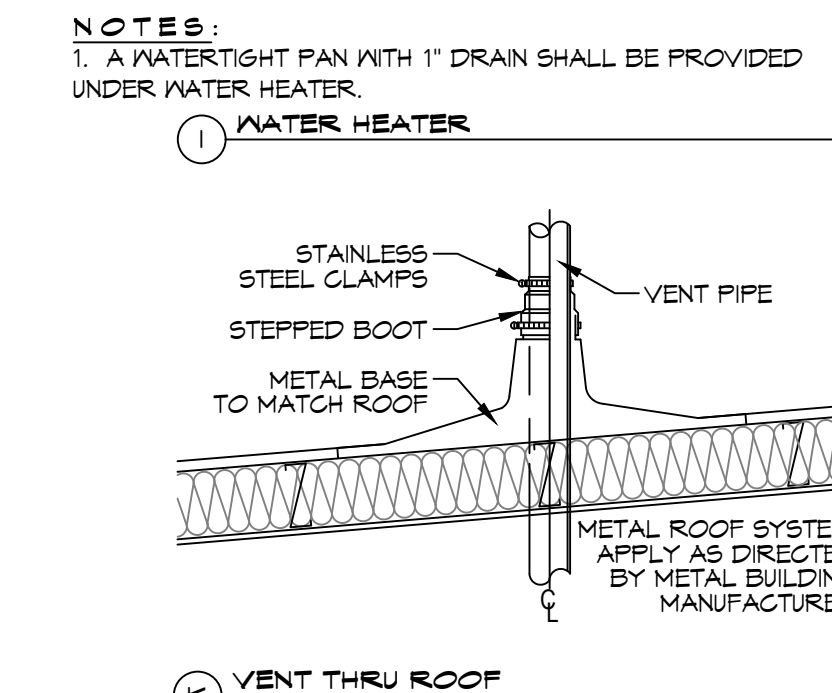
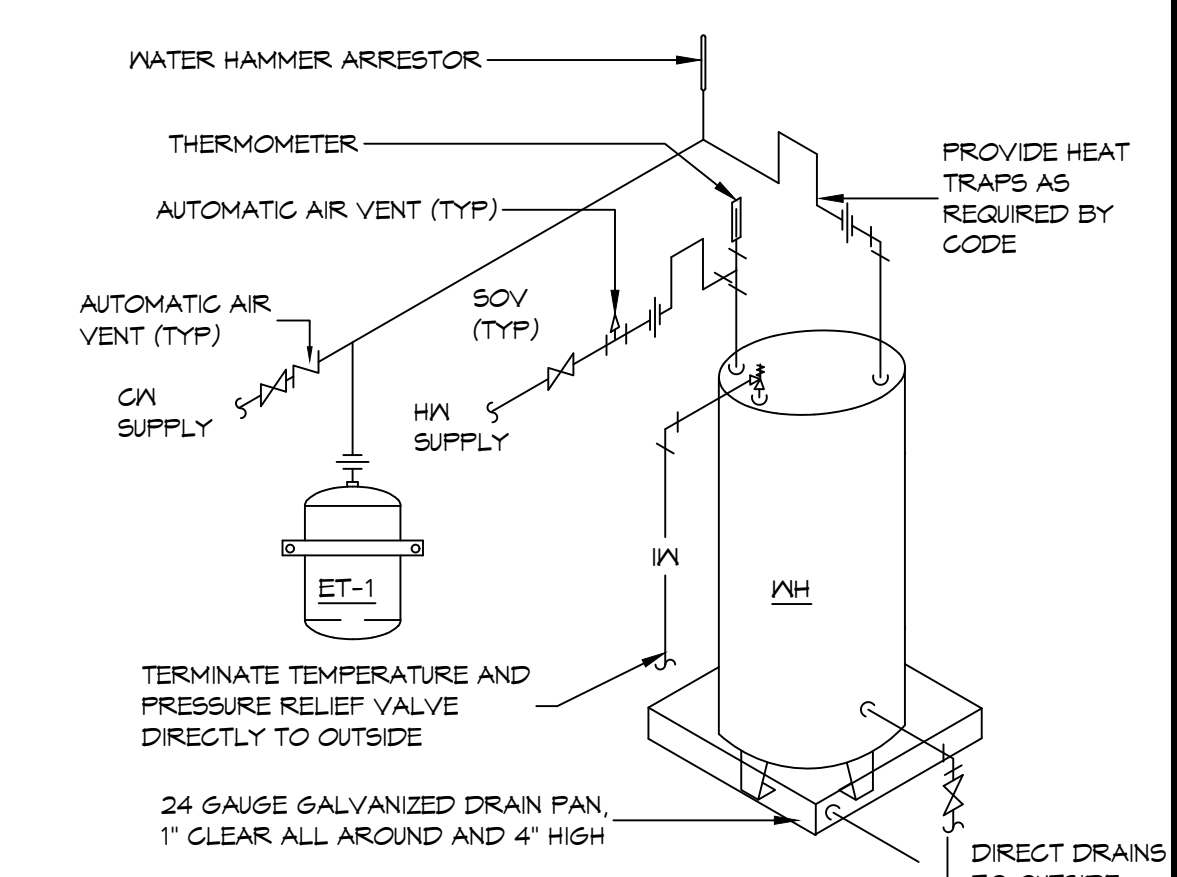
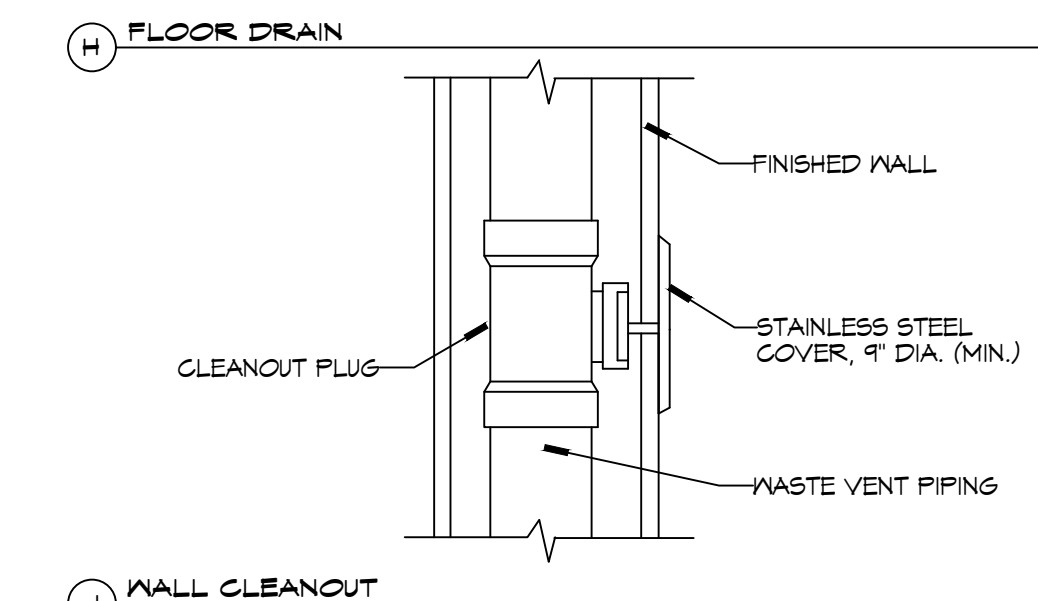
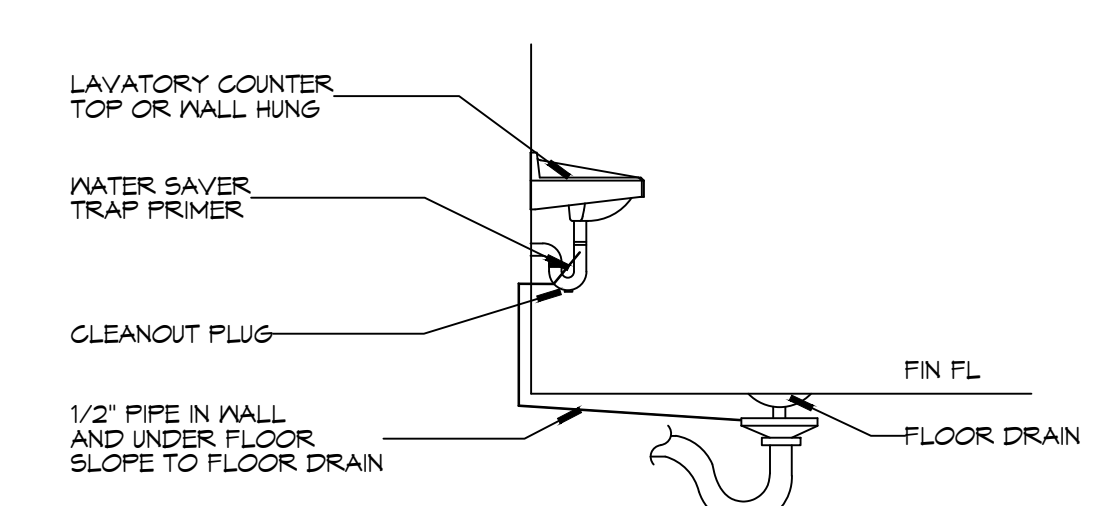
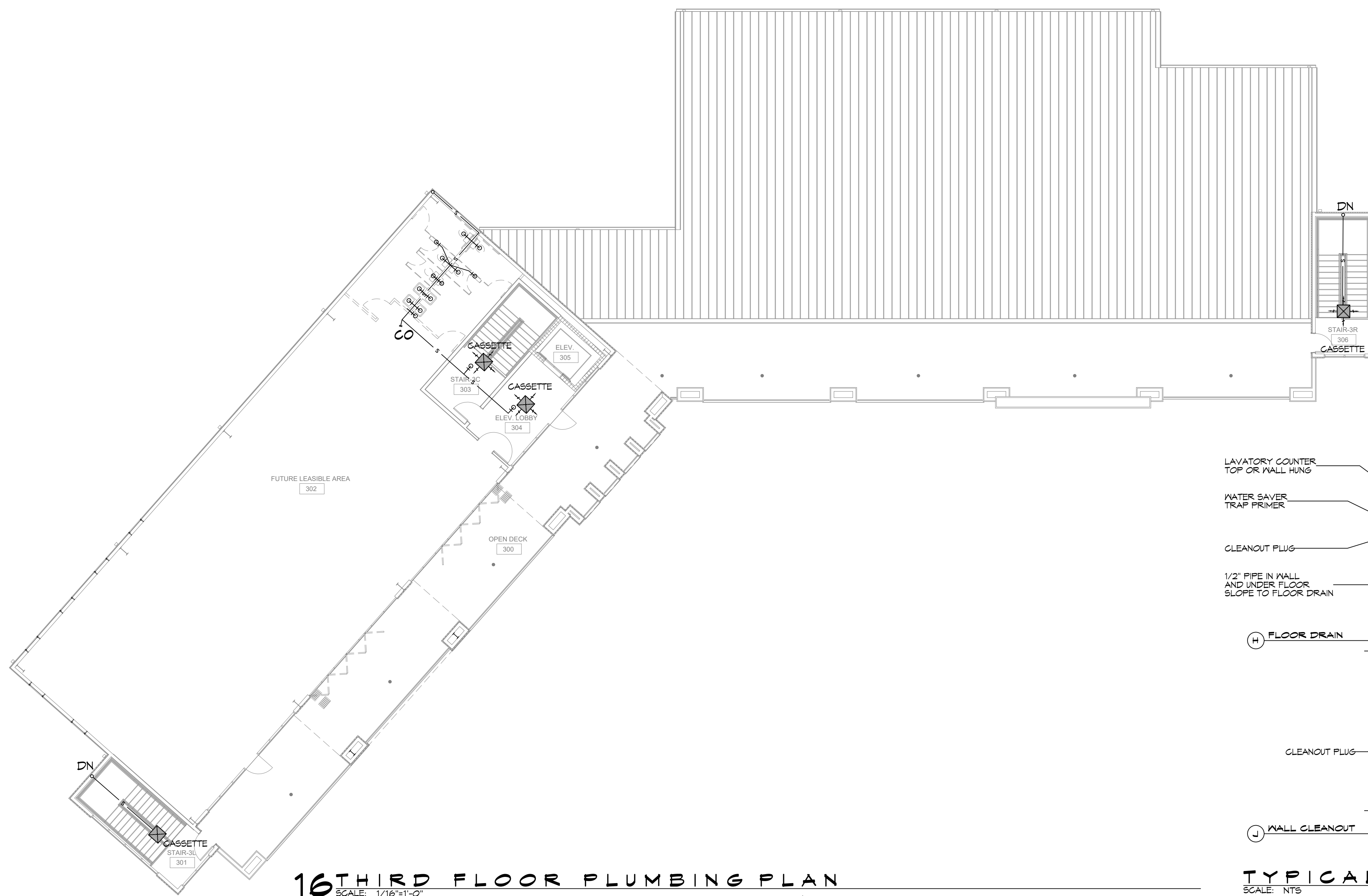
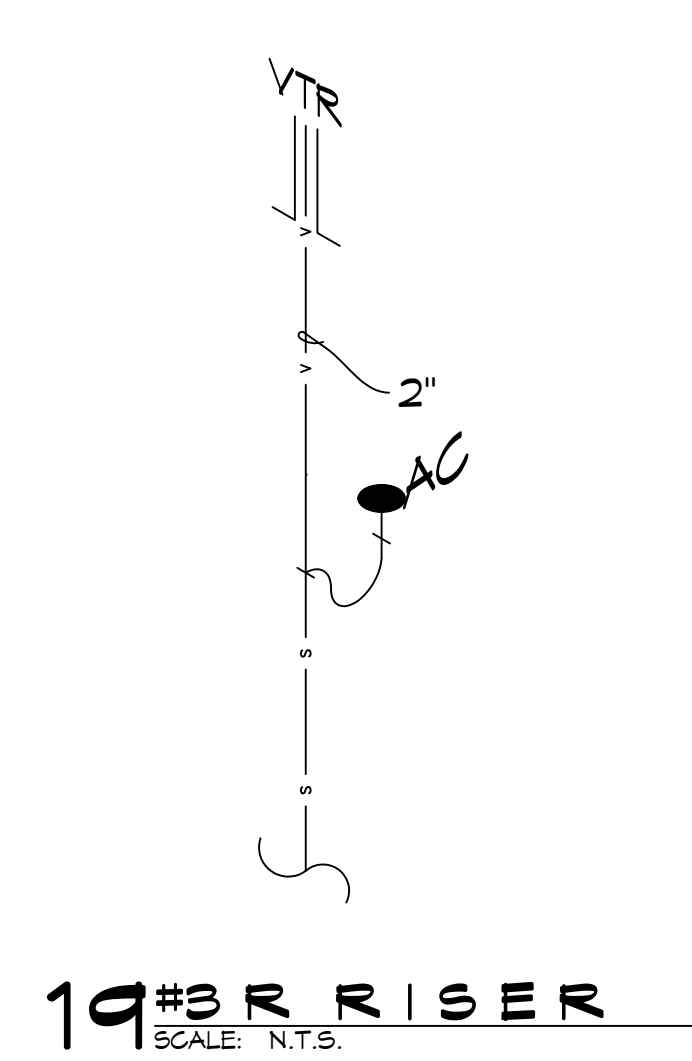
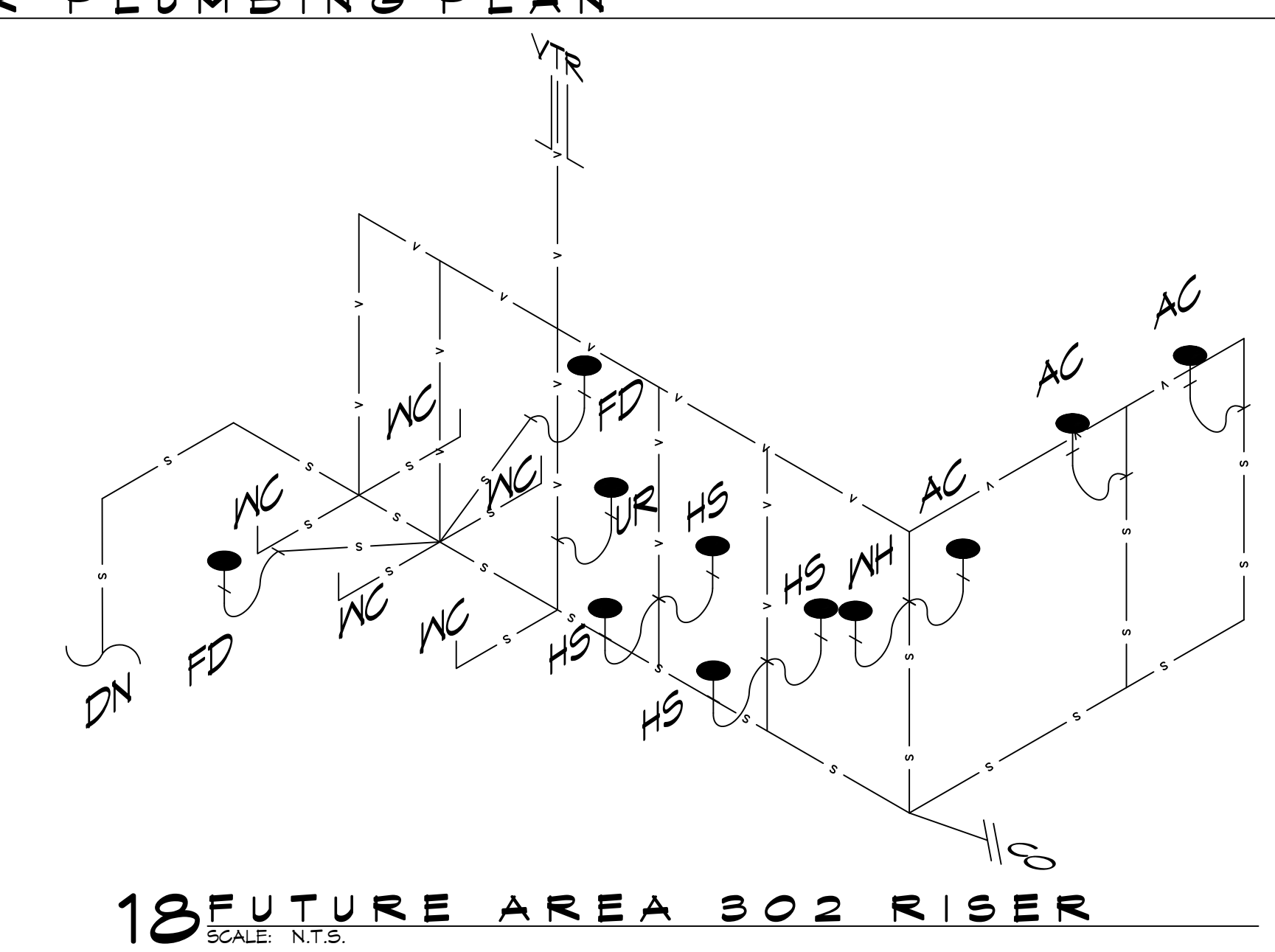
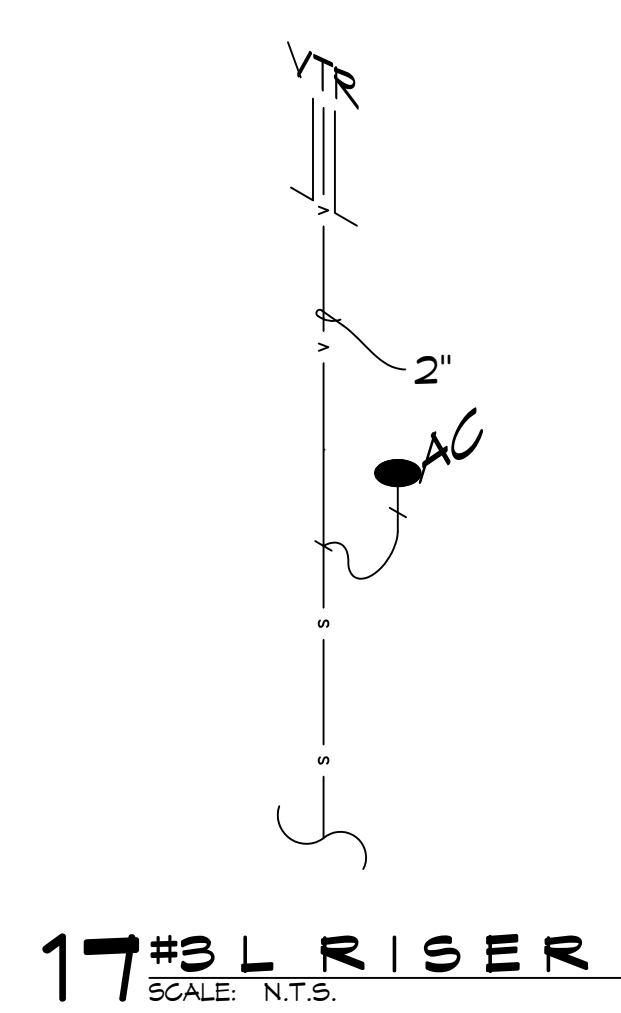


FILE NAME: J:\Projects\17#3L Riser\17#3L Riser.dwg DATE: 01-08-2025 10:15:15 AM



NOTES:  
1. A WATERTIGHT PAN WITH 1" DRAIN SHALL BE PROVIDED UNDER WATER HEATER.



**DAMMON**  
ENGINEERING, INC.  
LOUISIANA & MISSISSIPPI

Chief Engineer: Brian Mistich, PE  
554 Old Spanish Trail  
Stidell, LA 70458  
www.dammonengineering.com  
info@dammonengineering.com  
PH: 985.649.5832

DATE	REVISIONS	#	DESCRIPTION

SEAL:

MIXED USE DEVELOPMENT

1-10 SOUTH SERVICE ROAD  
METAIRIE LOUISIANA

JOB NO: 01-08-2025  
DATE: 01-08-2025  
DRAWN BY: BAKI  
CHECKED BY: CKD

SHEET TITLE:  
THIRD FLOOR PLUMBING  
PLAN AND RISER DIAGRAM

DRAWING NUMBER:  
**P103**

SHEET No: 3 of 15