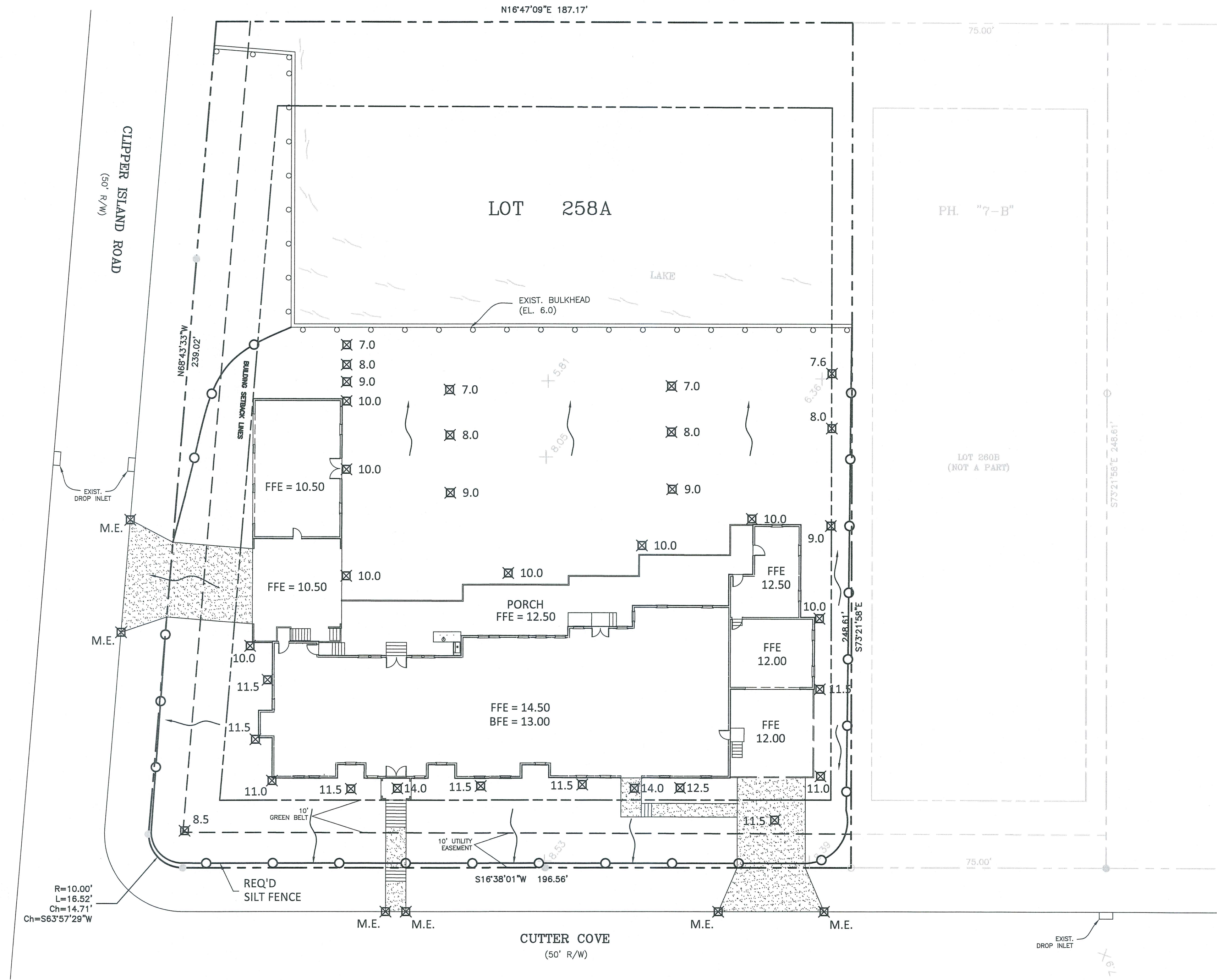
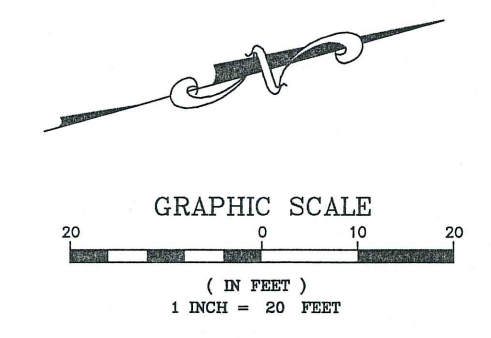
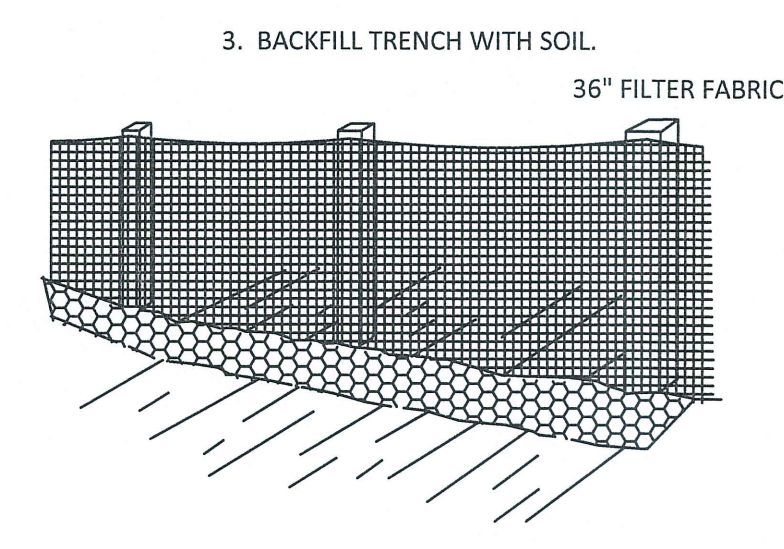
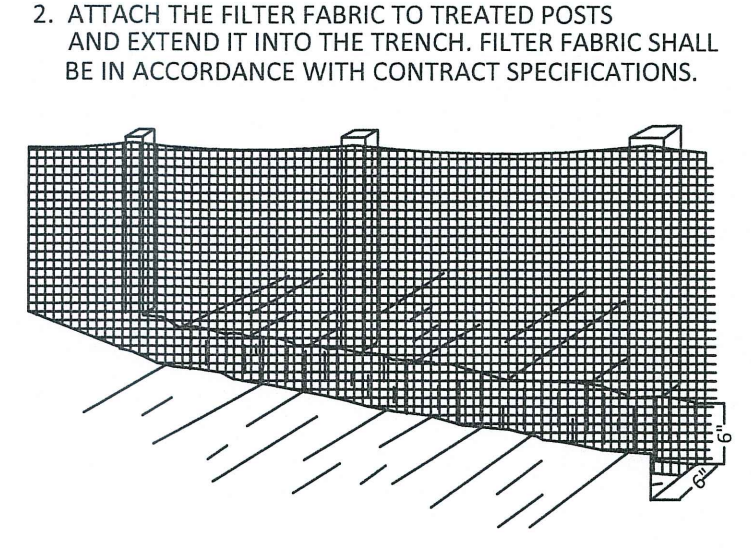
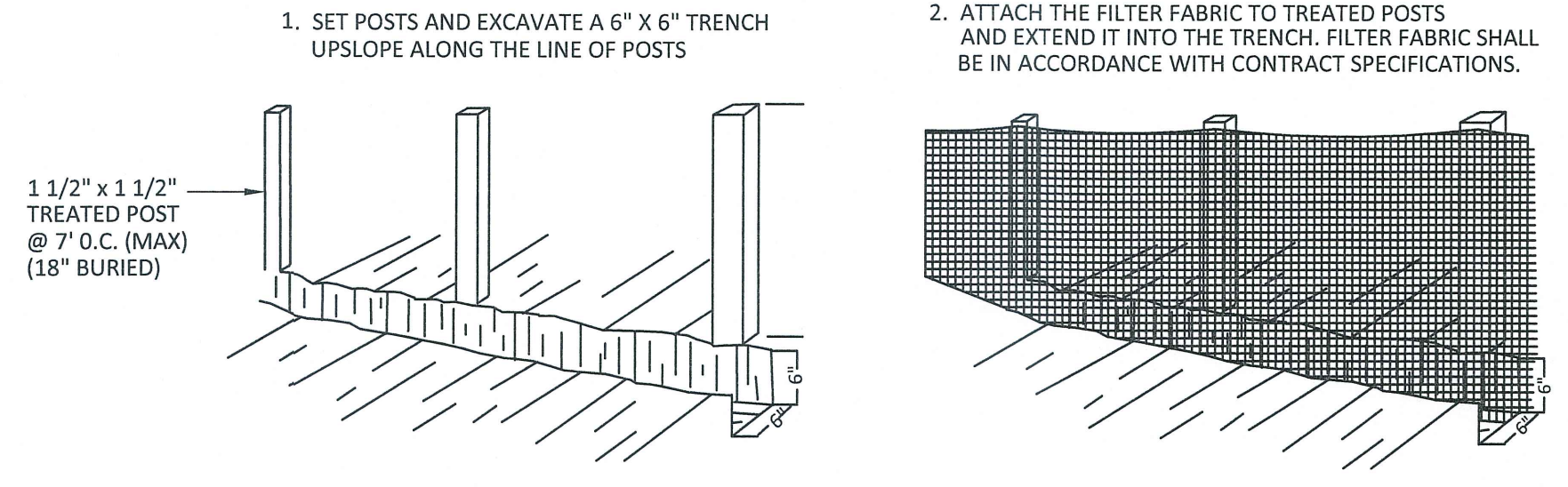


CADD FILE NAME: SITE_PLAN.dwg			
DESIGNED BY: JEP	DRAWN BY: MMM	CHECKED BY:	JOB NO.:
SCALE: (22x34) 1" = 20'	SCALE: (13x17) 1" = 40'	DATE: 09/30/20	

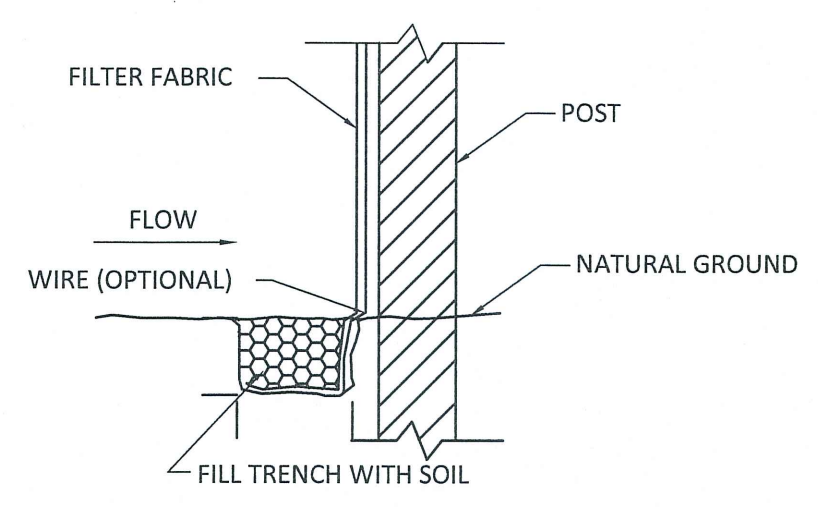


**LEGEND:**

- ← FLOW ARROW
- ⊠ 7.0 PROPOSED GRADE
- + 8.60 EXISTING GRADES
- ⊠ M.E. MATCH EXISTING GRADE
- REQ'D SILT FENCE



**SILT FENCE**  
N.T.S.

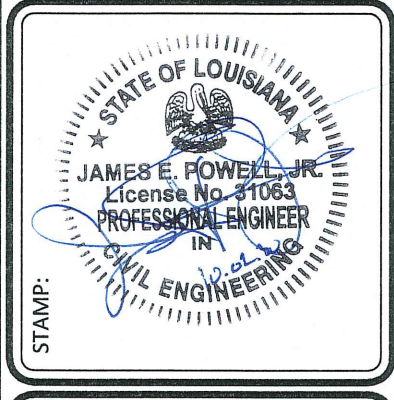


**SILT FENCE SECTION**  
N.T.S.

**NEW RESIDENCE  
LOT NO. 258A  
CLIPPER ESTATES PH. 7-B  
ST. TAMMANY PARISH  
LOUISIANA, 70458**

**GRADING/SITE PLAN**

NO.	DATE:	REVISIONS	APP'D



**Kyle Associates, LLC**  
Professional Engineering and Landscaping Architecture  
638 Village Lane, N. • Metairie, LA 70001 • 985.727.9377