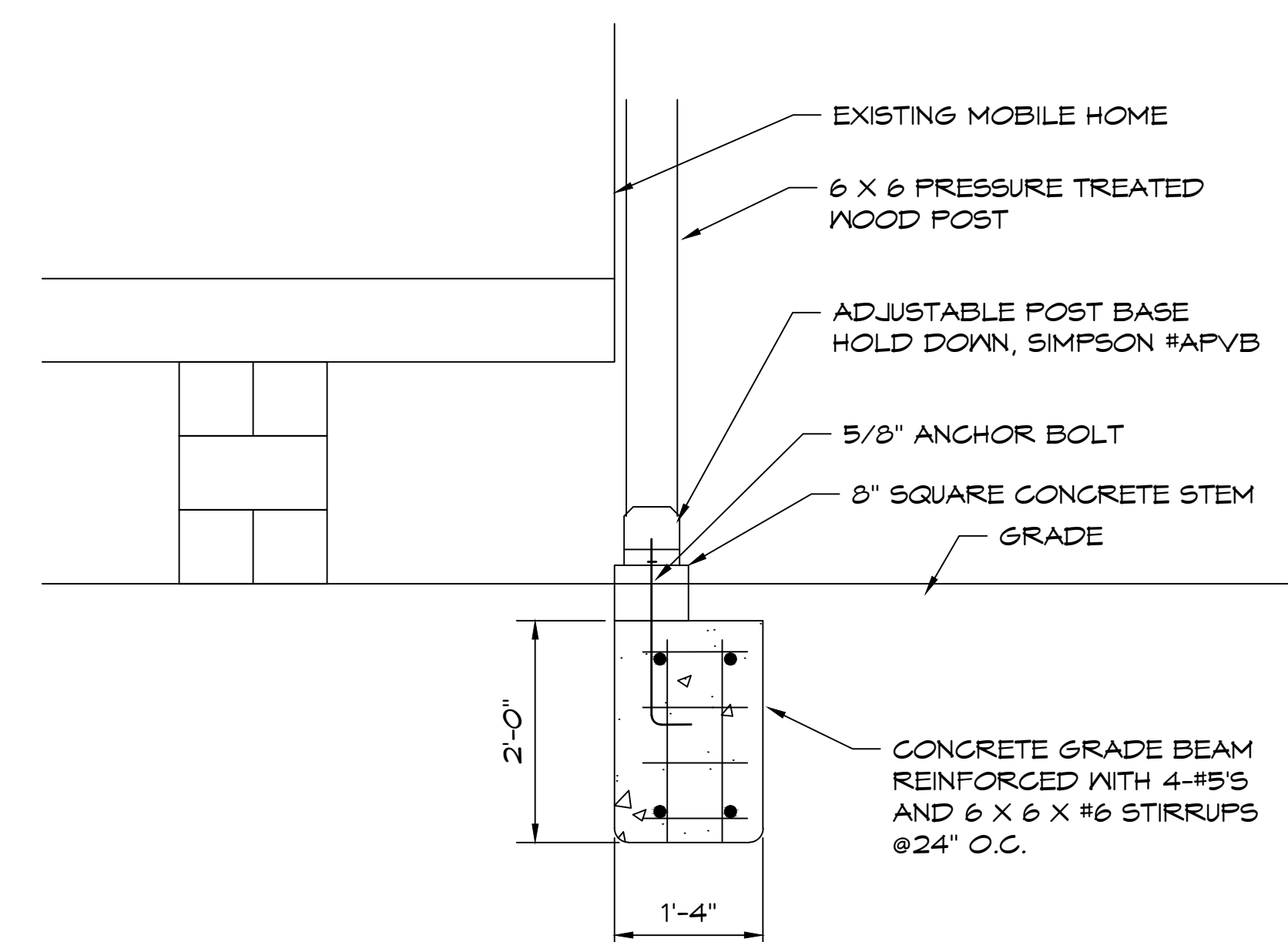
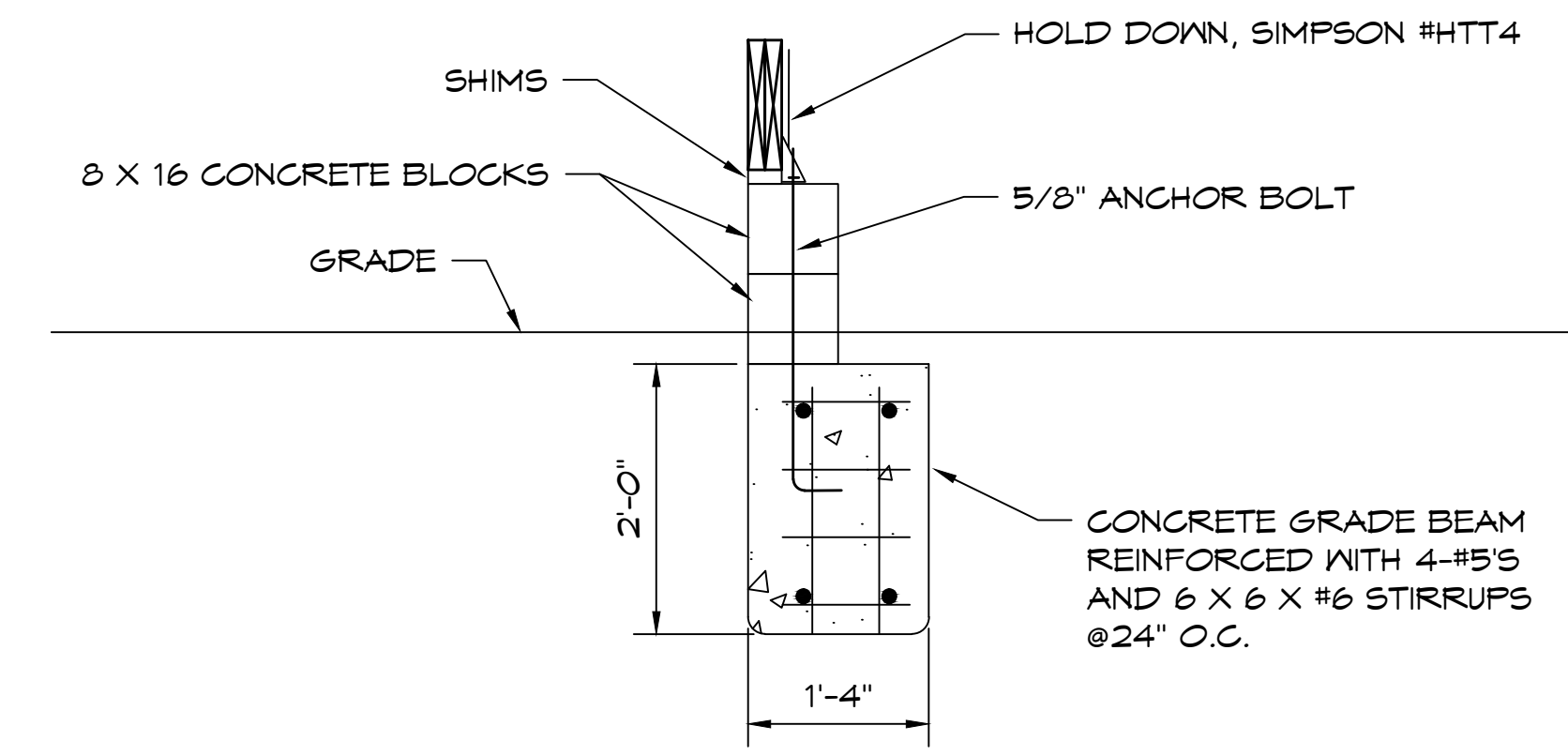


FOUNDATION PLAN
SCALE: 1/4" = 1'-0"



A RESIDENCE FOR: MR. AND MRS. JOEL ORELLANA		
13365 BIRDIE STREET, ABITA SPRINGS, LA. 70420		
SCALE: SHOWN	APPROVED BY:	DRAWN BY:
DATE: 8/26/2025		ANTHONY E. PONGETI
SHEET 2 6		DRAWING NUMBER: