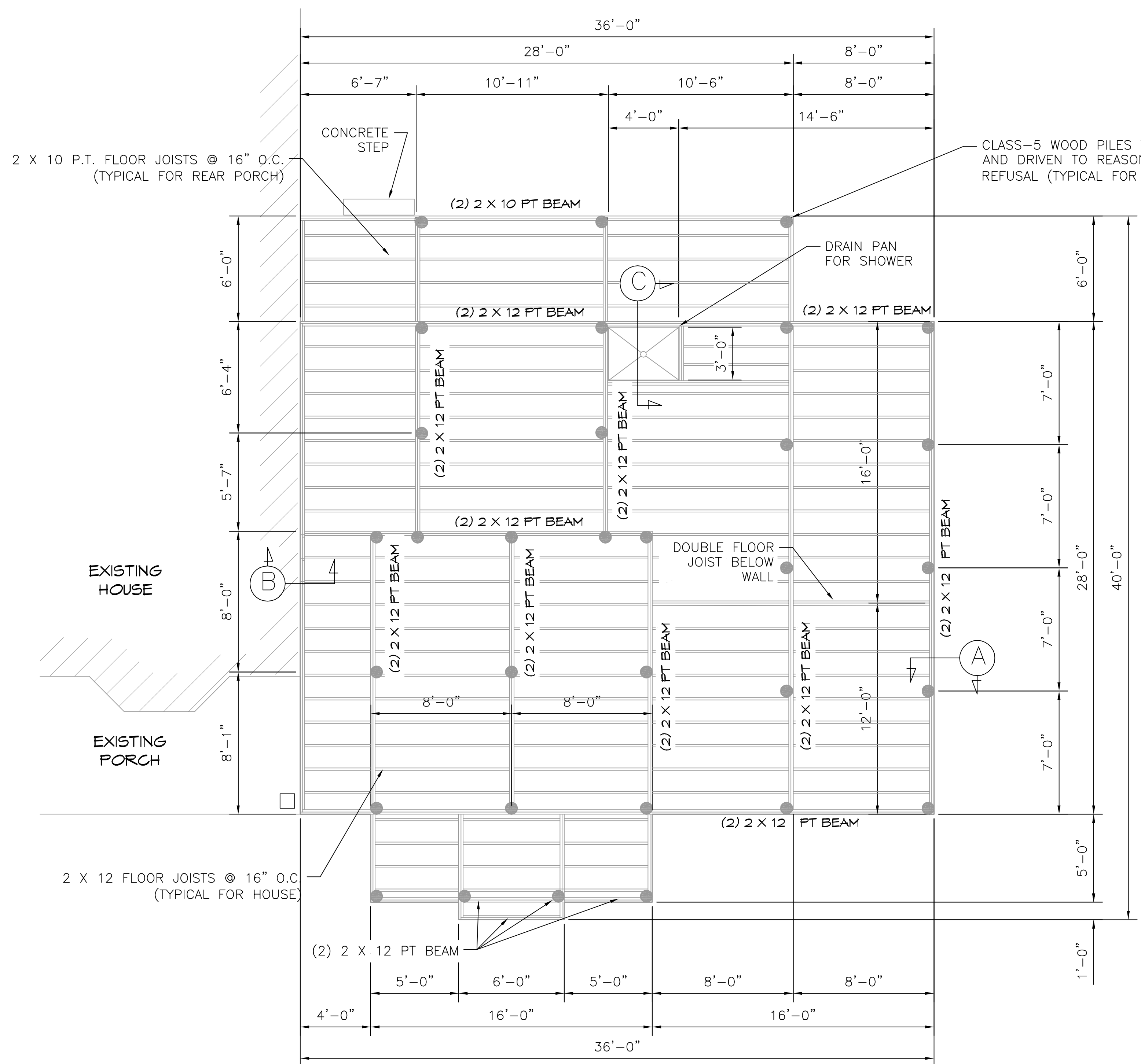


THE STATE OF LOUISIANA PROFESSIONAL ENGINEERS BOARD REGISTRATION NO. 10151 - EXPIRES 12/31/2020  
 www.dammoneengineering.com  
 info@dammoneengineering.com  
 554 Old Spanish Trail  
 Slidell, LA 70488  
 Ph: 985.647.5832

**DAMMON**  
**ENGINEERING, INC.**



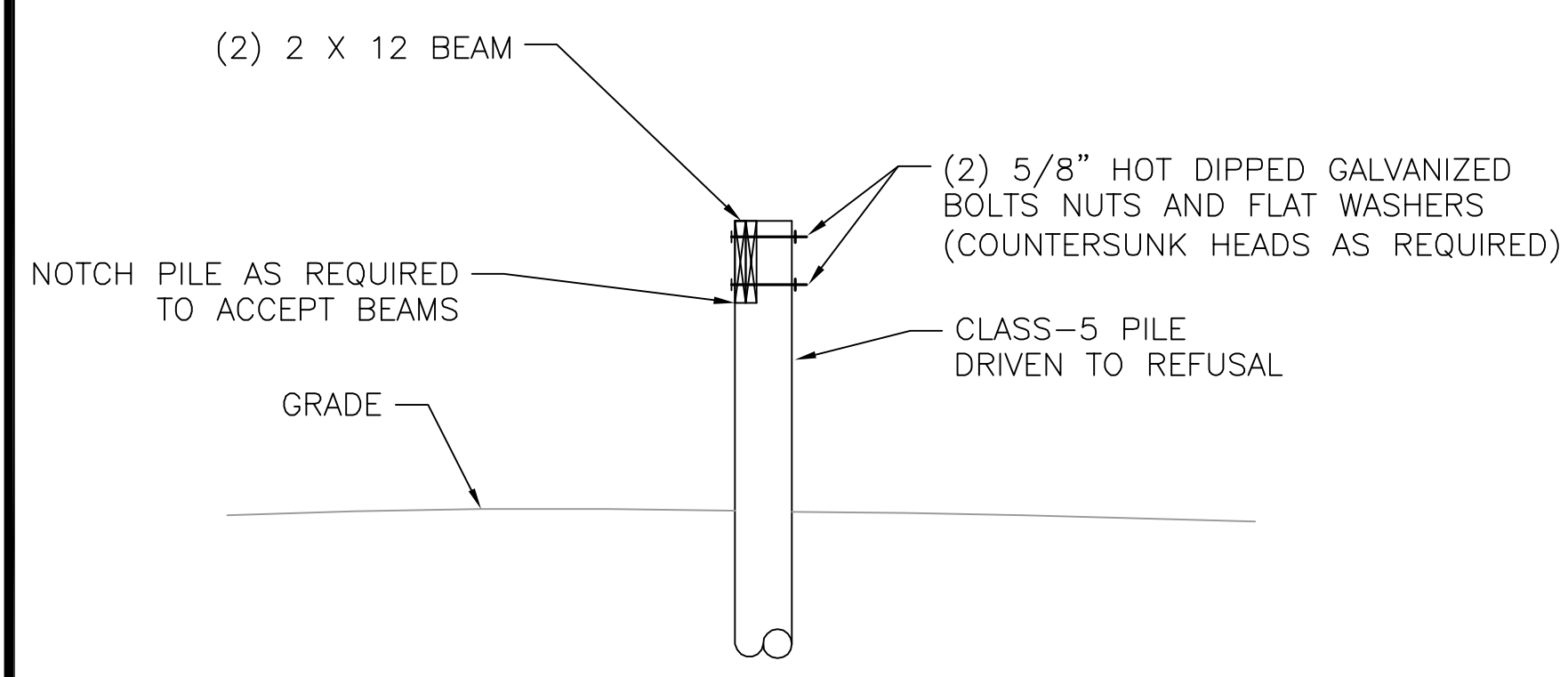
**FLOOR FRAMING PLAN**

SCALE: 1/2" = 1'-0"

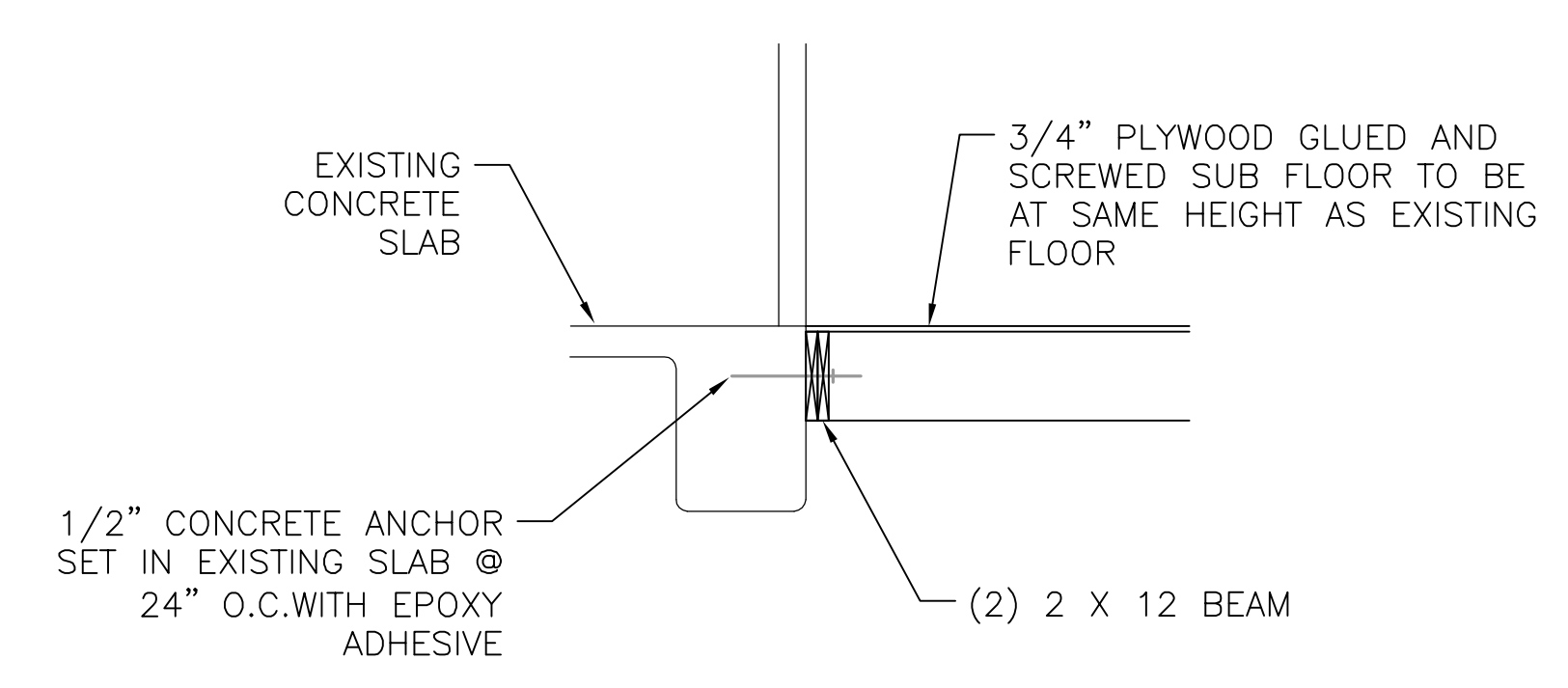
- PILING NOTES**
1. PILES SHALL BE TREATED TIMBER PILES, PILES SHALL HAVE A 6 INCH TIP AND 8 INCH BUTT.
  2. ALL PILES TO BE DRIVEN TO REFUSAL.
  3. NO FIELD SUPERVISION OR INSPECTION PROVIDED UNDER THIS SEAL UNLESS OTHERWISE NOTED.
  4. PILE LAYOUT MAY BE MODIFIED DUE TO ACTUAL DRIVING CONDITIONS. ENGINEER SHALL BE NOTIFIED OF ANY MODIFICATION.
  5. A PILE BLOW COUNT LOG OF ALL PILES SHALL BE SUBMITTED TO THE ENGINEER OF RECORD. FAILURE TO SUBMIT SAID LOG WILL RELEASE THE ENGINEER OF ALL RESPONSIBILITY.
  6. CONTRACTOR IS RESPONSIBLE FOR THE COMPARISON & VERIFICATION OF PILE LAYOUT DIMENSIONS WITH MOST RECENT ARCHITECTURAL DRAWINGS, ASSURING THAT PILES DO FALL WITHIN LIMITS OF THE DESIGN.

**FOUNDATION FLOOR FRAMING NOTES:**

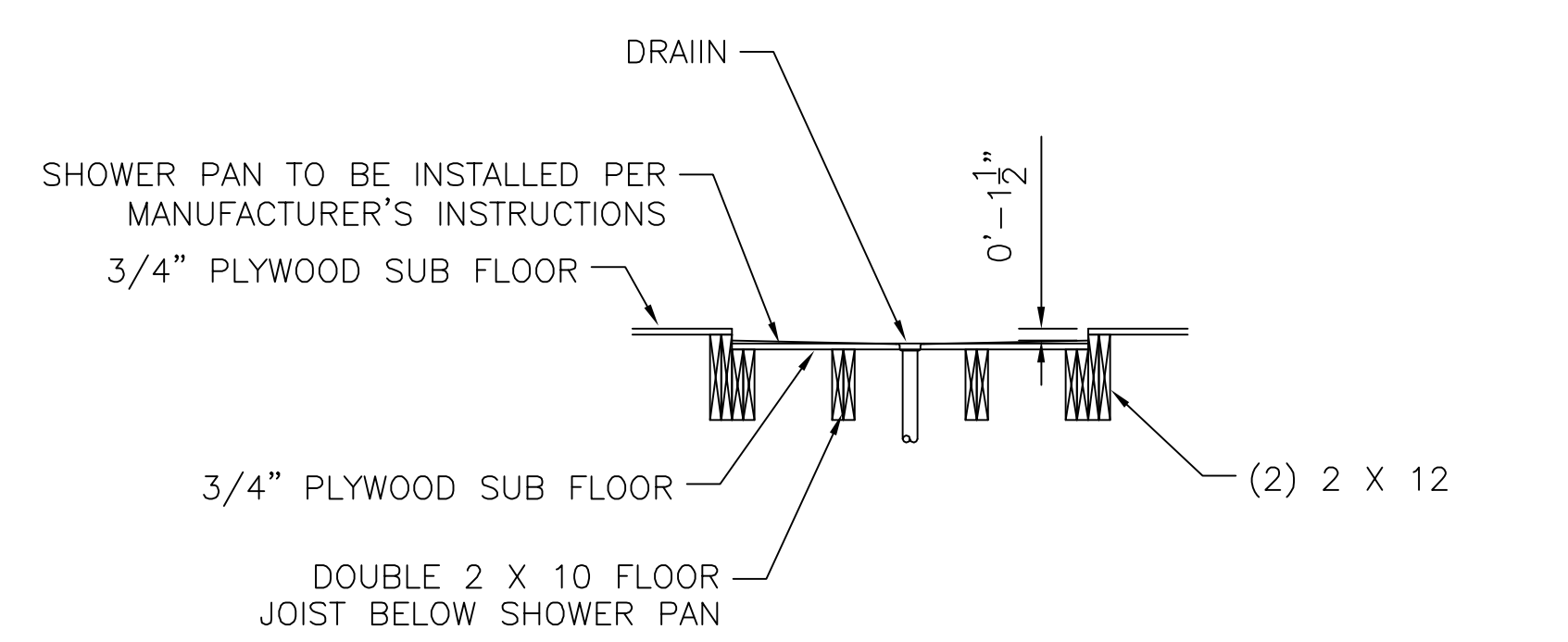
1. ALL METAL JOIST HANGERS, BRACKETS, STRAPS, HOLD DOWNS, ETC. SHALL BE INSTALLED PER LOCAL CODES AND STANDARD PRACTICES. ALL METAL FASTENERS EXPOSED TO THE EXTERIOR SHALL BE HOT DIPPED GALVANIZED PER ASTM A153 OR SHALL BE 300 SERIES STAINLESS STEEL. ALL HOT DIPPED GALVANIZED CONNECTORS SHALL MEET ASTM A653, CLASS G185 SHEET WITH 1.85 OZ. OF ZINC COATING PER S.F. MINIMUM.
2. INSTALL FLOOR JOISTS AT 12" O.C. BELOW BATH AND UTILITY ROOM. INSTALL SOLID BLOCKING OR CROSS BRIDGING AT MID SPAN OF ALL FLOOR JOISTS. INSTALL SOLID JOIST BLOCKING AT ALL WALLS PERPENDICULAR TO THE FLOOR JOISTS AND INSTALL (2) FLOOR JOISTS BELOW ALL WALLS PARALLEL TO THE FLOOR JOISTS. INSTALL ANY REQUIRED BLOCKING AND/OR DEADWOOD FLOOR FRAMING AND SUPPORTS. ALL FRAMING LUMBER THAT IS EXPOSED TO THE EXTERIOR, OR THAT IS IN DIRECT CONTACT WITH CONCRETE OR CMU, SHALL BE PRESSURE TREATED.
3. INSTALL CLOSED CELL, SPRAY ON FOAM INSULATION IN FLOOR JOISTS BELOW ALL LIVING SPACES.
4. ALL FRAMING MEMBERS SHALL BE INSTALLED TO PROVIDE A CONTINUOUS LOAD PATH TO TRANSFER THE LIVE AND DEAD LOADS THROUGH THE STRUCTURAL FRAMING COMPONENTS INTO THE STRUCTURAL FOUNDATION.



**PILING DETAIL A**  
SCALE: 1/2" = 1'-0"

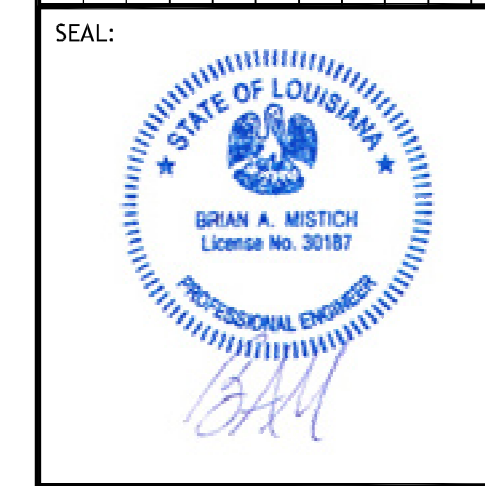


**DETAIL - CONNECTION TO HOUSE B**  
SCALE: 1/2" = 1'-0"



**DETAIL - SHOWER PAN C**  
SCALE: 1/2" = 1'-0"

#	DESCRIPTION	DATE



**MRS. JAMES**  
**KENNETH**  
 2987T BERRY TODD ROAD  
 LACOMBE, LOUISIANA  
 JOB No: 2020 DATE: 08-10-2020  
 DRAWN BY: RLD CHECKED BY: CKD

SHEET TITLE:  
FOUNDATION PLAN

DRAWING NUMBER:

**S100**

SHEET No: 1 of 1