

TABLE S601.7 - UPLIFT CONNECTIONS - 140 MPH WINDS EXP "B"
WFCM 2015 TABLE 3.2

| CONNECTION | FRAMING SPACING (INCHES) | ROOF SPAN (FEET) | UPLIFT | LATERAL | SHEAR | NUMBER OF 8d COMMON NAILS OR 10d BOX NAILS IN EACH END OF 1-1/4" X 20 GAGE STRAP |
|--------------------------------|--------------------------|------------------|--------|---------|-------|--|
| ROOF ASSEMBLY TO WALL ASSEMBLY | 16" OC | 16 | 401 | 292 | 152R | 4 |
| WALL ASSEMBLY TO FOUNDATION | 16" OC | 16 | 224 | 219 | 436 | 4 |

TABLE S601.8 - SILL OR BOTTOM PLATE TO FOUNDATION CONNECTIONS RESISTING UPLIFT LOADS - 140 MPH WIND EXP "B"
WFCM 2015 TABLE 3.2C

| BOTTOM PLATE TO FOUNDATION ANCHOR BOLT CONNECTION RESISTING | FOUNDATION SUPPORTING | MAXIMUM ANCHOR BOLT SPACING (INCHES) | |
|---|-----------------------|--------------------------------------|---------------------|
| | | 8' END ZONES | INTERIOR ZONES |
| UPLIFT LOADS | 1 - 3 STORIES | 25 INCHES ON CENTER | 30 INCHES ON CENTER |

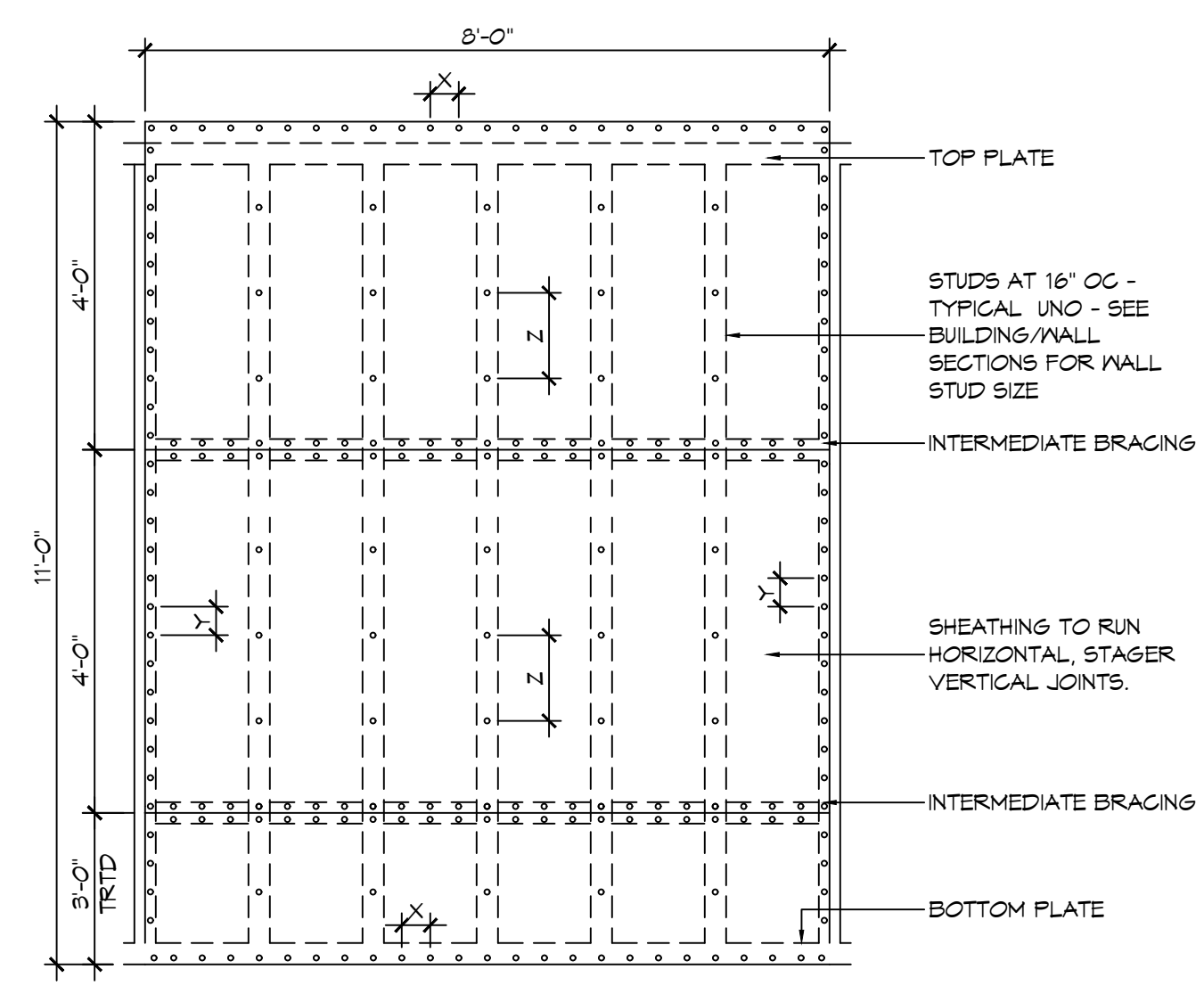
NOTE: A MINIMUM OF ONE ANCHOR BOLT SHALL BE PROVIDED WITHIN 6 TO 12 INCHES OF EACH END OF EACH PLATE

TABLE S601.9 - SILL OR BOTTOM PLATE TO FOUNDATION CONNECTIONS RESISTING SHEAR LOADS - 140 MPH WIND EXP "B"
WFCM 2015 TABLE 3.2B

| BOTTOM PLATE TO FOUNDATION ANCHOR BOLT CONNECTION RESISTING | FOUNDATION SUPPORTING | MAXIMUM ANCHOR BOLT SPACING (INCHES) | |
|---|-----------------------|--------------------------------------|---------------------------------------|
| | | 5/8" Ø ANCHOR BOLTS | 48 INCHES ON CENTER W/3X3X1/4" WASHER |
| UPLIFT LOADS | 4 STORY | | |

TABLE S601.10 - FULL HEIGHT STUD REQUIREMENT FOR HEADERS OR WINDOW SILL PLATES IN EXTERIOR WALLS EXPOSURE "B"
WFCM 2015 TABLE 3.23C

| HEADER SPAN (FEET) | WALL SPACING (INCHES) | | |
|--------------------|-----------------------|----------|----------|
| | 12" O.C. | 16" O.C. | 24" O.C. |
| 2 | 1 | 1 | 1 |
| 4 | 2 | 2 | 1 |
| 6 | 3 | 3 | 2 |
| 8 | 4 | 3 | 2 |



NAIL SPACING
X = 4" OC
Y = 4" OC
Z = 12" OC

X = PLATE EDGE NAIL SPACING
Y = LONG EDGE NAIL SPACING
Z = FIELD NAIL SPACING

INTERIOR SHEATHING
1/2" PLYWOOD EACH FACE STAGGERED 48" O.C. W/8d NAILS @ 4" O.C. FASTENING @ PANEL EDGES 8d NAILS @ 12" O.C. FASTENING @ INTERMEDIATE MEMBERS.

EXTERIOR SHEATHING
5/8" PLYWOOD EACH FACE STAGGERED 48" O.C. W/8d NAILS @ 4" O.C. FASTENING @ PANEL EDGES 8d NAILS @ 12" O.C. FASTENING @ INTERMEDIATE MEMBERS.

H SHEAR WALL EXTERIOR SHEATHING NAILING PATTERN

TABLE S601.5 - JACK STUD REQ - INT LOADBEARING WALLS

| HEADER SUPPORTING | HEADER SPAN (FT) | ROOF SPAN (FEET) | | | | | | | | | | | | | |
|---------------------------------|------------------|------------------|------|----|------|---------|------|----|------|---------|------|----|----|---|---|
| | | 12 FEET | | | | 24 FEET | | | | 36 FEET | | | | | |
| | | 3" | 4.5" | 5" | 6.5" | 3" | 4.5" | 5" | 6.5" | 3" | 4.5" | 5" | 6" | | |
| ONE FLOOR ONLY (CENTER BEARING) | 2 | 1 | 1 | 1 | 1 | 1 | 1 | 1 | 1 | 1 | 1 | 1 | 1 | 1 | 1 |
| | 4 | 1 | 1 | 1 | 1 | 1 | 1 | 1 | 1 | 1 | 1 | 1 | 1 | 1 | 1 |
| | 6 | 1 | 1 | 1 | 1 | 1 | 1 | 1 | 1 | 2 | 1 | 1 | 1 | 1 | 1 |
| | 8 | 1 | 1 | 1 | 1 | 2 | 1 | 1 | 1 | 2 | 2 | 2 | 1 | 1 | 1 |
| | 10 | 1 | 1 | 1 | 1 | 2 | 2 | 1 | 1 | 3 | 2 | 2 | 2 | 2 | 2 |
| | 12 | 1 | 1 | 1 | 1 | 2 | 2 | 2 | 1 | 3 | 2 | 2 | 2 | 2 | 2 |
| | 14 | 2 | 1 | 1 | 1 | 3 | 2 | 2 | 2 | 4 | 3 | 3 | 2 | 2 | 2 |
| TWO FLOORS (CENTER BEARING) | 2 | 1 | 1 | 1 | 1 | 1 | 1 | 1 | 1 | 2 | 1 | 1 | 1 | 1 | 1 |
| | 4 | 1 | 1 | 1 | 1 | 2 | 1 | 1 | 1 | 3 | 2 | 2 | 2 | 2 | 2 |
| | 6 | 2 | 1 | 1 | 1 | 3 | 2 | 2 | 2 | 4 | 3 | 2 | 2 | 2 | 2 |
| | 8 | 2 | 2 | 1 | 1 | 3 | 2 | 2 | 2 | 5 | 3 | 3 | 3 | 3 | 3 |
| | 10 | 2 | 2 | 2 | 1 | 4 | 3 | 3 | 2 | 6 | 4 | 4 | 3 | 3 | 3 |
| | 12 | 3 | 2 | 2 | 2 | 5 | 3 | 3 | 3 | 7 | 5 | 4 | 4 | 4 | 4 |
| | 14 | 3 | 2 | 2 | 2 | 6 | 4 | 4 | 3 | 8 | 5 | 5 | 4 | 4 | 4 |
| 16 | 4 | 3 | 2 | 2 | 6 | 4 | 4 | 3 | 9 | 6 | 6 | 5 | 5 | 5 | |

TABLE S601.6 - JACK STUD REQ - EXTERIOR LOADBEARING WALLS
WFCM 2021 TABLE 3.22F

| ROOF AND CEILING | HEADER WIDTH - 3" (2-2x), 4.5" (3-2x), 5", 6.5" (4-2x) EACH 1/2" PLYWOOD SPACER BETWEEN | ROOF LIVE LOAD 20 PSF | | | | ROOF LIVE LOAD 30 PSF | | | | |
|---|---|-------------------------------|------|----|------|-----------------------|------|----|------|---|
| | | 3" | 4.5" | 5" | 6.5" | 3" | 4.5" | 5" | 6.5" | |
| | | NUMBER OF JACK STUDS REQUIRED | | | | | | | | |
| ROOF AND CEILING | 2 | 1 | 1 | 1 | 1 | 1 | 1 | 1 | 1 | 1 |
| | 4 | 1 | 1 | 1 | 1 | 1 | 1 | 1 | 1 | 1 |
| | 6 | 2 | 1 | 1 | 1 | 2 | 1 | 1 | 1 | 1 |
| | 8 | 2 | 2 | 2 | 1 | 2 | 2 | 2 | 1 | 1 |
| | 10 | 3 | 2 | 2 | 2 | 3 | 2 | 2 | 2 | 2 |
| | 12 | 3 | 2 | 2 | 2 | 3 | 2 | 2 | 2 | 2 |
| | 14 | 4 | 3 | 2 | 2 | 4 | 3 | 2 | 2 | 2 |
| ROOF, CEILING, AND ONE CENTER BEARING FLOOR | 2 | 1 | 1 | 1 | 1 | 1 | 1 | 1 | 1 | 1 |
| | 4 | 2 | 1 | 1 | 1 | 2 | 1 | 1 | 1 | 1 |
| | 6 | 2 | 2 | 2 | 1 | 3 | 2 | 2 | 2 | 2 |
| | 8 | 3 | 2 | 2 | 2 | 3 | 2 | 2 | 2 | 2 |
| | 10 | 4 | 3 | 2 | 2 | 4 | 3 | 3 | 2 | 2 |
| | 12 | 4 | 3 | 3 | 2 | 5 | 3 | 3 | 3 | 3 |
| | 14 | 5 | 4 | 3 | 3 | 5 | 4 | 3 | 3 | 3 |
| 16 | 6 | 4 | 4 | 3 | 6 | 4 | 4 | 3 | 3 | |

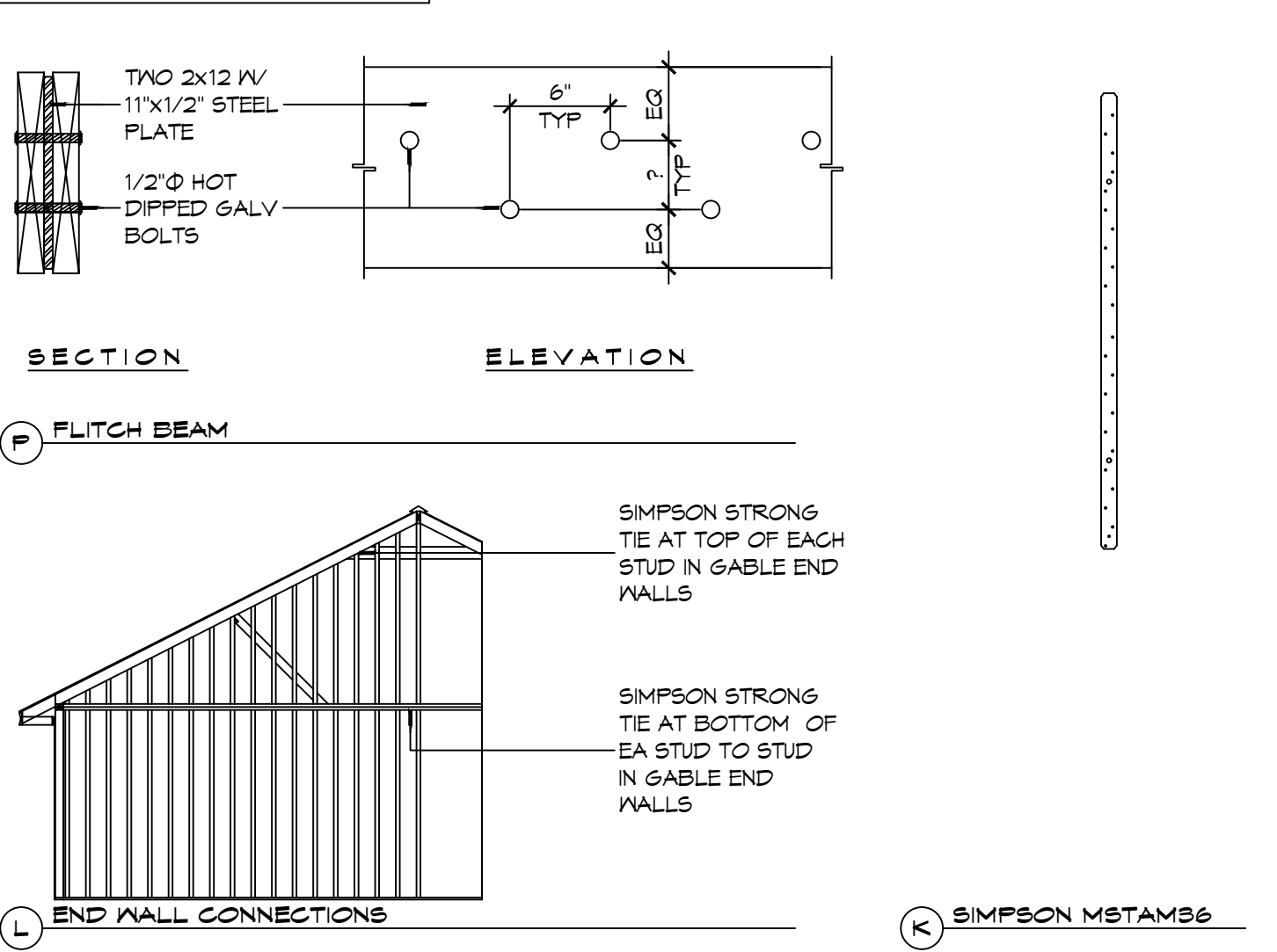
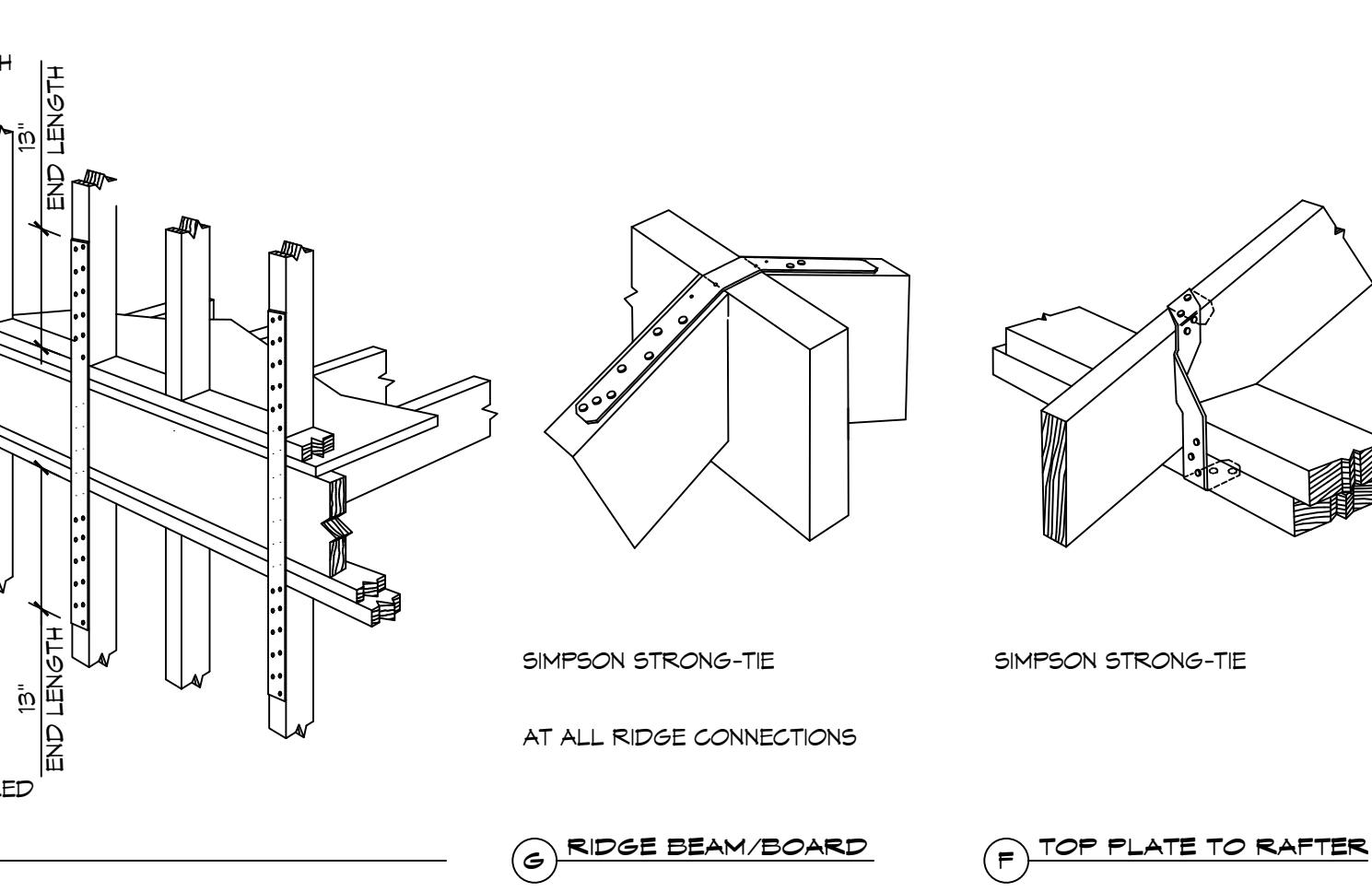
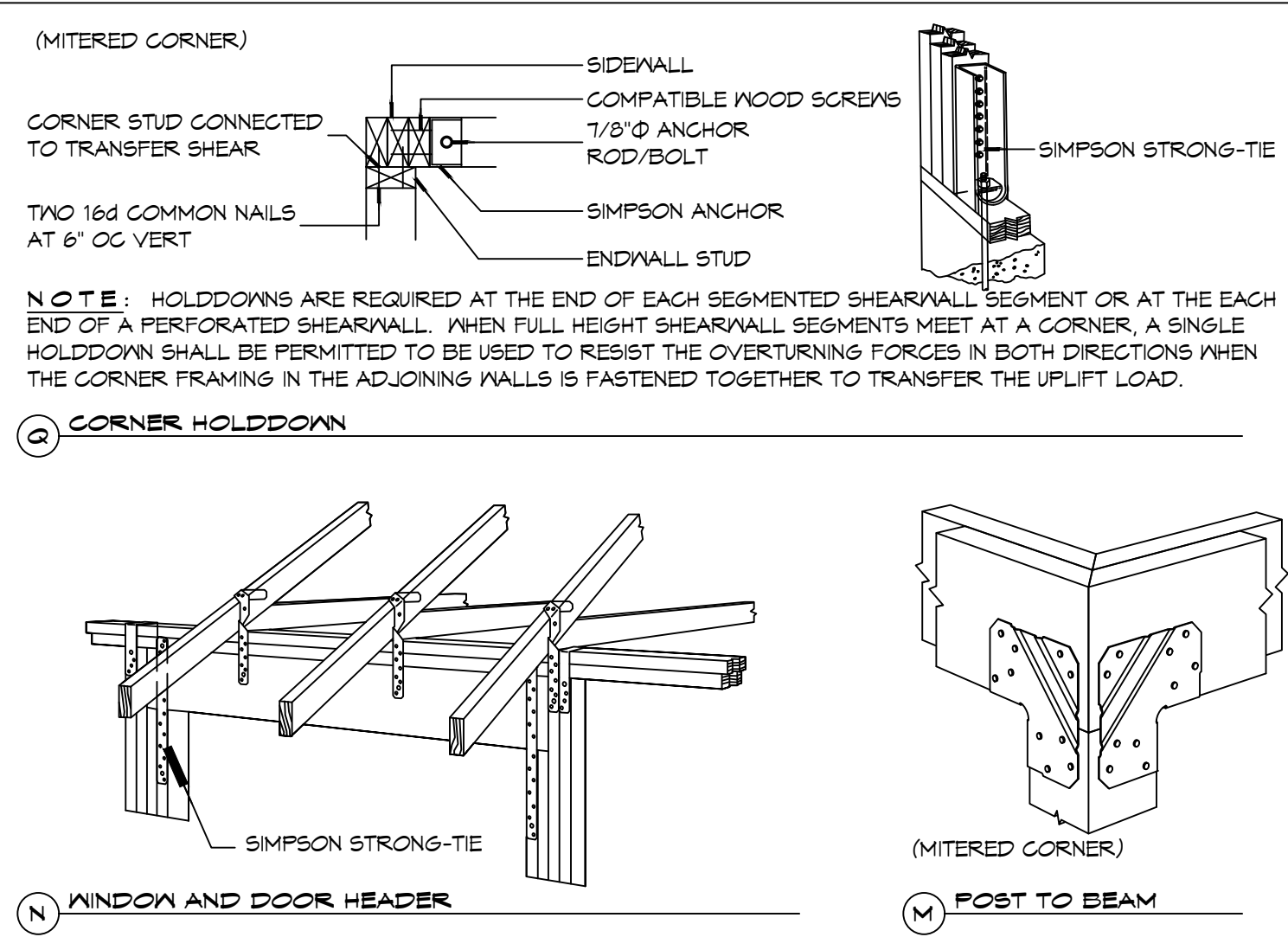
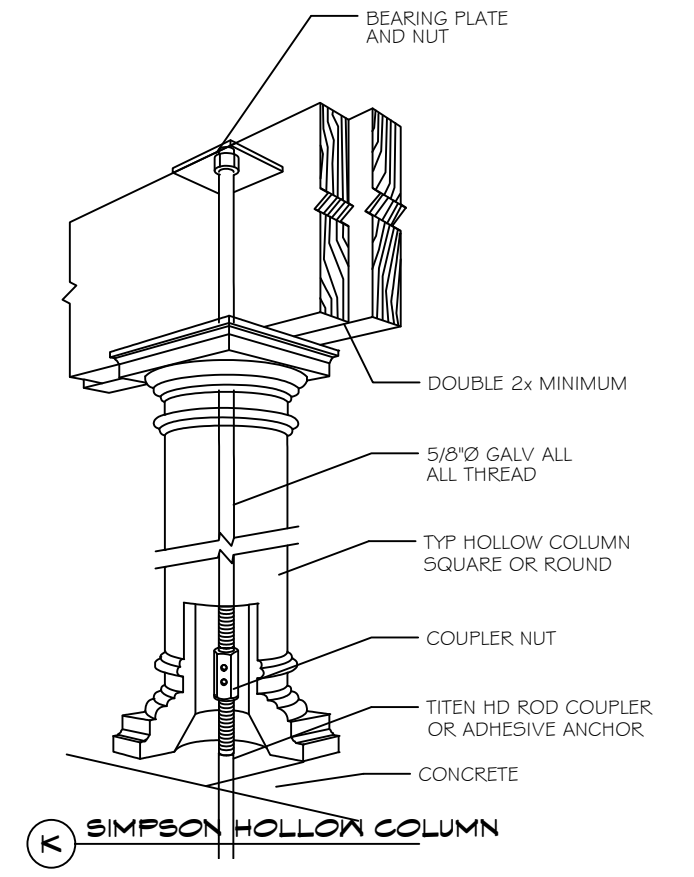


TABLE S601.3 - NAILING SCHEDULE
WFCM 2015 TABLE 3.1

| DESCRIPTION | NUMBER OF COMMON NAILS | NUMBER OF BOX NAILS | SPACING |
|--------------------------------|------------------------|---------------------|--------------|
| HEADER TO HEADER (FACE NAILED) | 16d | 16d | 16" OC EDGES |

TABLE S601.4 - BUILDING ENVELOPE REQUIREMENTS

| ROOFS | OPAQUE ELEMENTS | ASSEMBLY MAXIMUM | INSULATION MIN. R-VALUE |
|--------------------|-----------------------|------------------|-------------------------|
| | METAL BUILDING | U-0.065 | R-19 |
| ATTIC AND OTHER | U-0.027 | R-30 | |
| WALLS, ABOVE GRADE | MASS | U-0.151 | R-5.7 c.i. |
| | METAL BUILDING | U-0.113 | R-19.0 |
| FLOORS | STEEL-FRAMED | U-0.124 | R-19.0 |
| | WOOD-FRAMED AND OTHER | U-0.089 | R-19.0 |
| | MASS | U-0.107 | R-9 c.i. |
| | STEEL JOIST | U-0.052 | R-19.0 |
| SLAB-ON-GRADE | UN-HEATED | F-0.150 | NR |
| | OPAKE DOORS | SWINGING | U-0.700 NR |
| | NON-SWINGING | U-1.450 NR | |



METAL ROOF APPLICATION & FASTENING NOTES

1. INSTALL 26 GAUGE METAL ROOF PER MANUFACTURER'S RECOMMENDATIONS FOR 140 MPH WIND SPEED.

GENERAL UPLIFT CONNECTION NOTES

ROOF ASSEMBLY TO WALL ASSEMBLY:
UPLIFT CONNECTIONS SHALL BE FROM RAFTER OR TRUSS TO WALL STUD. WHEN RAFTERS OR TRUSSES ARE NOT LOCATED DIRECTLY ABOVE STUDS, RAFTERS SHALL BE ATTACHED TO THE WALL PLATE AND THE WALL TOP PLATE SHALL BE ATTACHED TO THE WALL STUD WITH UPLIFT CONNECTIONS. UPLIFT CONNECTIONS SHALL BE IN ACCORDANCE WITH TABLE S601.10.

WALL ASSEMBLY TO WALL ASSEMBLY:
STORY TO STORY UPLIFT CONNECTIONS FROM UPPER STORY WALL STUD TO LOWER STORY WALL STUD. WHEN UPPER STORY WALL STUDS ARE NOT LOCATED DIRECTLY ABOVE LOWER WALL STUDS, THE STUDS SHALL BE ATTACHED TO A COMMON MEMBER IN THE WALL FLOOR ASSEMBLY BY UPLIFT CONNECTIONS. UPLIFT CONNECTIONS SHALL BE IN ACCORDANCE WITH TABLE S601.11.

WALL ASSEMBLY TO FOUNDATION:
FIRST FLOOR WALL STUDS SHALL BE CONNECTED TO THE FOUNDATION, SILL PLATE, OR BOTTOM PLATE. A MINIMUM OF A 1-1/4" X 20 GA. ASTM A653 GRADE 33 STEEL STRAP SHALL BE NAILED TO THE WALL STUD. WALL STUDS HAVE A MINIMUM EMBEDMENT OF 1 INCHES IN CONCRETE FOUNDATIONS AND SLABS-ON-GRADE, 15 INCHES IN MASONRY BLOCK FOUNDATIONS, OR BE LAPPED UNDER THE BOTTOM PLATE, 3 INCH SQUARE WASHERS SHALL BE USED ON THE ANCHOR BOLTS AND ANCHOR BOLT SPACINGS SHALL NOT EXCEED THE REQUIREMENTS. STEEL STRAPS EMBEDDED IN OR IN CONTACT WITH SLAB-ON-GRADE OR MASONRY BLOCK FOUNDATIONS SHALL BE HOT-DIPPED GALV. AFTER FABRICATION, OR MANUF. FROM G105 OR 2450 GALV. STL. CONNECTIONS SHALL BE IN ACCORDANCE WITH TABLE S601.12.

TABLE S601.1 - ROOF SHEATHING ATTACHMENT REQUIREMENT - WIND LOAD EXP "B"

| SHEATHING LOCATION | RAFTER / TRUSS SPACING | E F | |
|---------------------|------------------------|---|----|
| | | MAX NAIL SPACING FOR 8d COMMON NAILS OR 10d BOX NAILS (INCHES OC) | |
| INTERIOR ZONE | 12" OC | 6 | 12 |
| | 16" OC | 6 | 12 |
| PERIMETER EDGE ZONE | 12" OC | 6 | 6 |
| | 24" OC | 4 | 4 |

140 MPH WIND - EXPOSURE "B" TYPICAL
E = NAIL SPACING AT PANEL EDGES, INCHES.
F = NAIL SPACING AT INTERMEDIATE SUPPORTS IN THE PANEL FIELD, INCHES.

TABLE S601.1 - WALL SHEATHING AND CLADDING REQUIREMENT - WIND LOAD EXP "B"

| SHEATHING LOCATION | RAFTER / TRUSS SPACING | E F | |
|---------------------|------------------------|---|----|
| | | MAX NAIL SPACING FOR 8d COMMON NAILS OR 10d BOX NAILS (INCHES OC) | |
| INTERIOR ZONE | 12" OC | 6 | 12 |
| | 16" OC | 6 | 12 |
| PERIMETER EDGE ZONE | 12" OC | 6 | 12 |
| | 16" OC | 6 | 12 |

140 MPH WIND - EXPOSURE "B" TYPICAL
E = NAIL SPACING AT PANEL EDGES, INCHES.
F = NAIL SPACING AT INTERMEDIATE SUPPORTS IN THE PANEL FIELD, INCHES.

DAMMON ENGINEERING, INC.
LOUISIANA & MISSISSIPPI

Chief Engineer: Brian A. Mistich, PE
554 Old Spanish Trail
Slidell, LA 70458
www.dammonengineering.com
info@dammonengineering.com
PH: 985-649-5832

| # | DESCRIPTION | DATE |
|---|-------------|------|
| | | |
| | | |



SARGENT & GREGORY ANDEFN

39165 MOONBIRD LOOP
PEARL RIVER, LA, 70495
JOB No: 10-20-2025
DRAWN BY: DD/KJK
CHECKED BY: CKD

HOUSE PLAN

SHEET TITLE:
TYPICAL CONNECTION
DETAILS, SCHEDULES, AND
NOTES

DRAWING NUMBER:

S102

SHEET No: 3 of 9