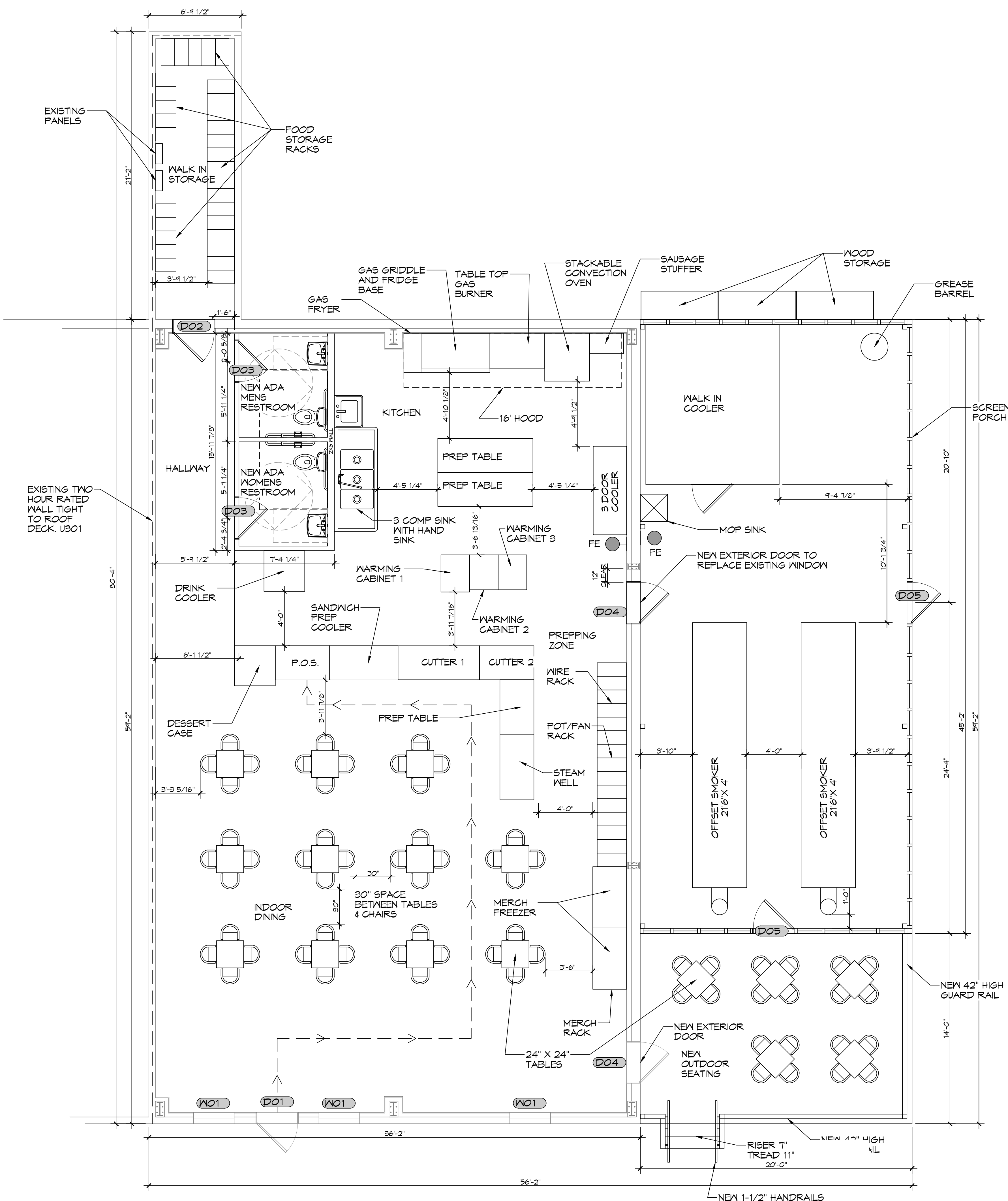
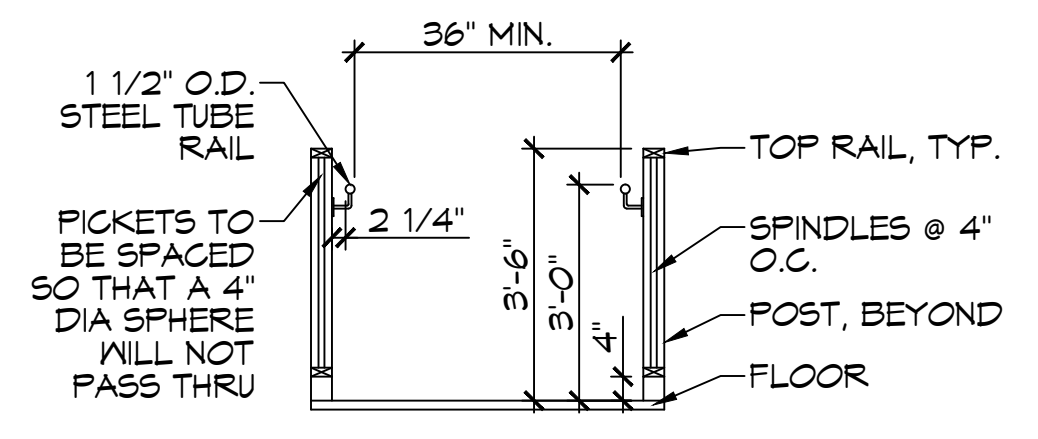
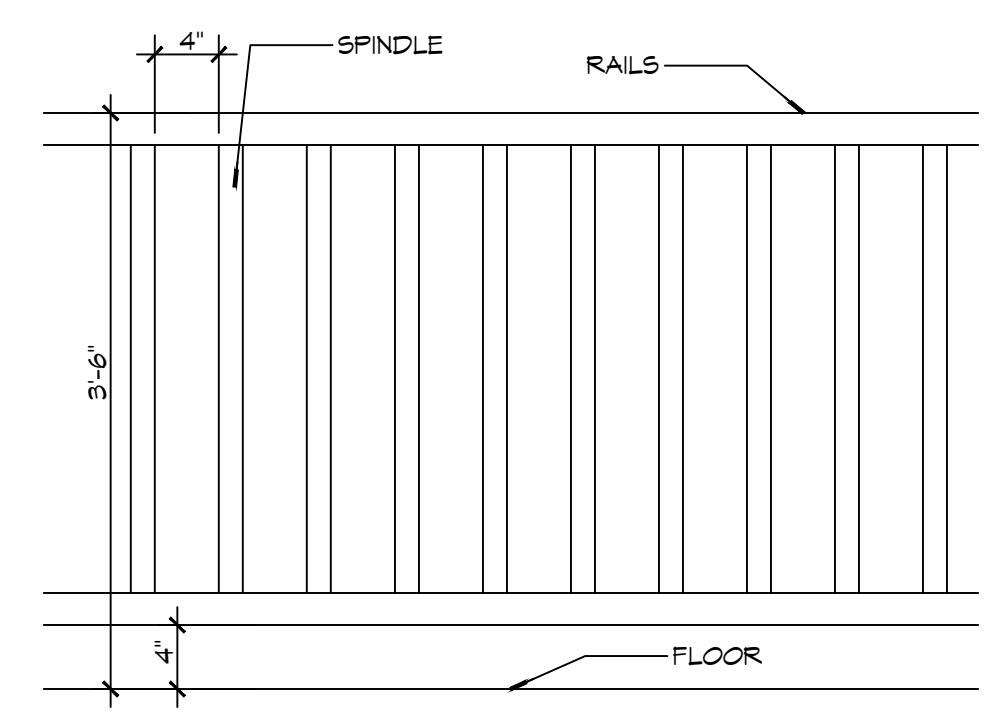


FILE NAME: J:\1 - ESTIMATING\2025 - Gonzo Smoke House\Gonzo Smoke House.dwg - Plot Date: 02/25/25 - Plot Time: 14:20:28 - Plotter: HP DesignJet 5000



4 PROPOSED FLOOR PLAN
SCALE: 1/4" = 1'-0"



DAMMON ENGINEERING, INC.
 LOUISIANA & MISSISSIPPI
 Chief Engineer: Brian Metch, PE
 554 Old Spanish Trail
 Slidell, LA 70458
 www.dammonengineering.com
 info@dammonengineering.com
 PH: 985.649.5832

#	DESCRIPTION	DATE
1	CHANGED TO NON RATED WALL	02-25-25

REVISIONS
 SEAL:

RESTAURANT
GONZO'S SMOKEHOUSE & BBQ
 18949 RIVER RD
 LULING, LA 70010
 JOB NO: 2515
 DATE: 09/03/2025
 DRAWN BY: TNT
 CHECKED BY: JMS

SHEET TITLE:
PROPOSED FLOOR PLAN
 DRAWING NUMBER:
A101
 SHEET No: 6 of 14