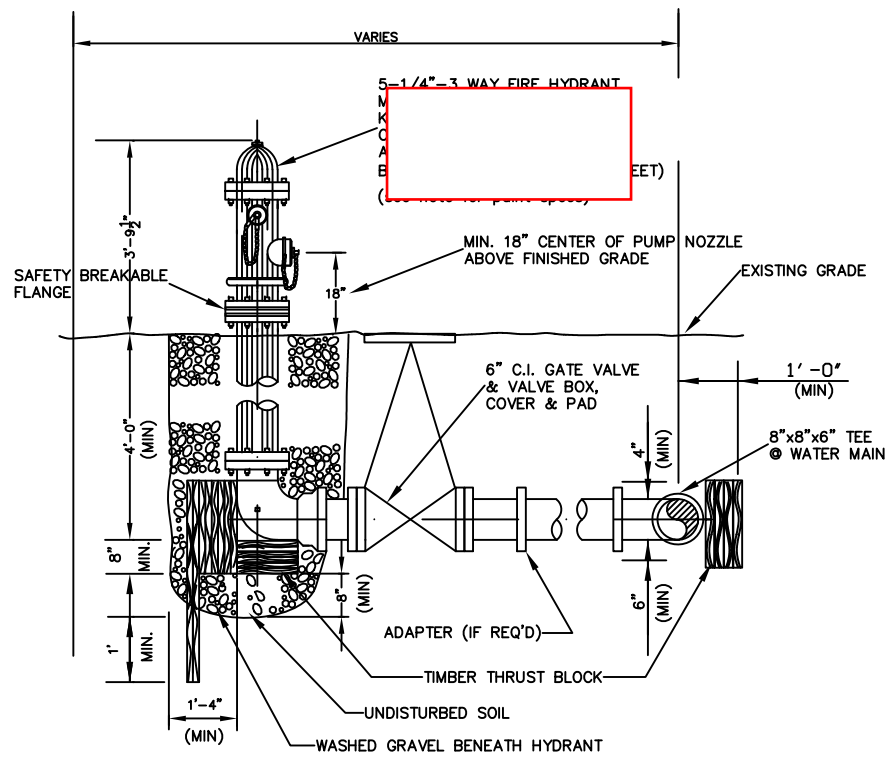


Blaine A. Clancy, P.E., City Engineer
250 Bouscaren Street, Suite 302
FAX (985) 646-6124

Greg Cromer - Mayor
P.O. Box 828 Slidell, LA 70459
(985) 646-4270



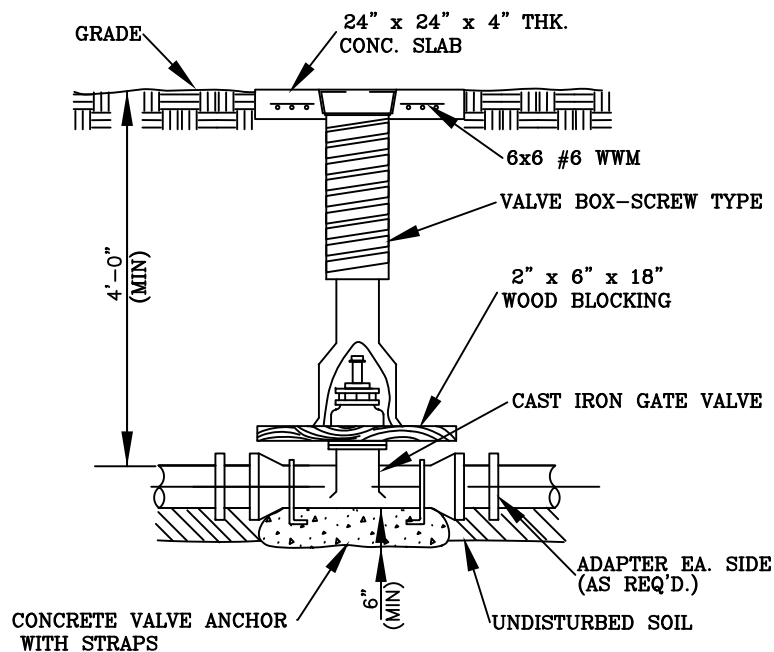
FIRE HYDRANT DETAIL

NOTES:

HYDRANT PAINT SHALL BE FACTORY APPLIED.
(FIELD APPLIED PAINT SHALL NOT BE APPROVED)

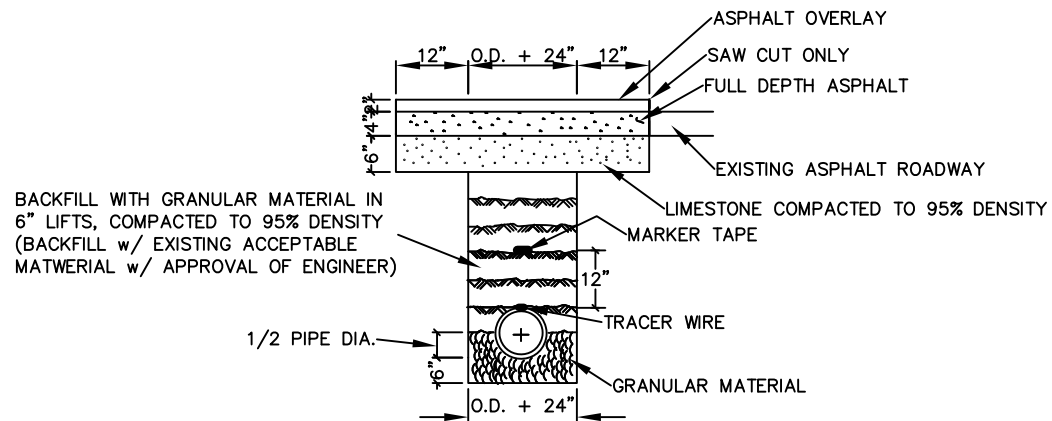
PAINT COLOR SHALL BE:

1. KENNEDY HYDRANTS: KENNEDY SAFETY YELLOW NUMBER 05
2. MUELLER HYDRANTS: SAFETY YELLOW, F63RXY9659, MA0150, PAINT CODE (M7)
3. CLOW MEDALLION: SAFETY YELLOW
4. AMERICAN DARLING HYDRANTS: DUPONT SAFETY YELLOW 1663IE



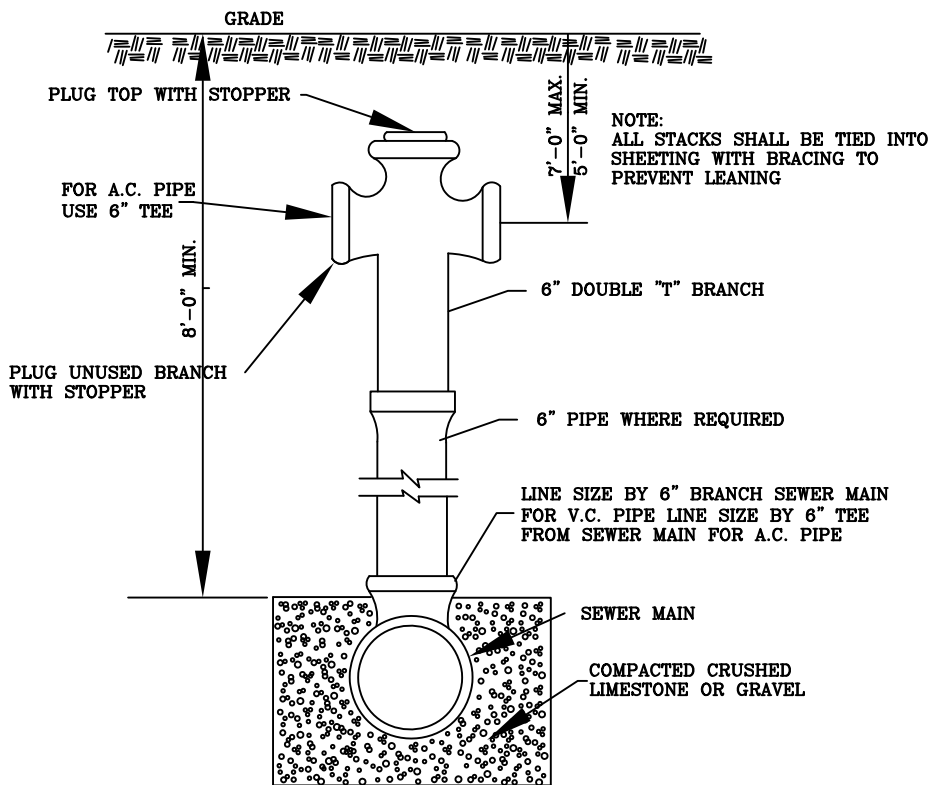
TYPICAL VALVE BOX DETAIL

NTS



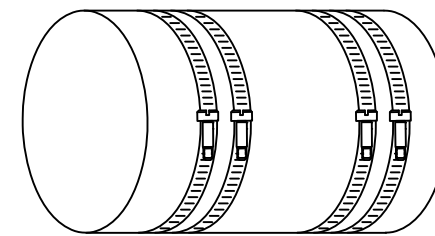
**TYPICAL ASPHALT ROADWAY
SAW CUT SECTION
FOR WATER OR SEWER LINES**

NTS



DETAIL OF RISER

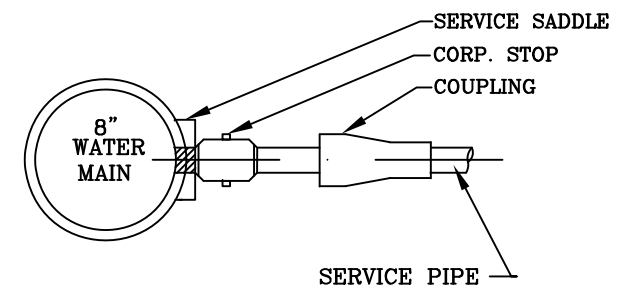
NTS



Sewer Repair Coupling

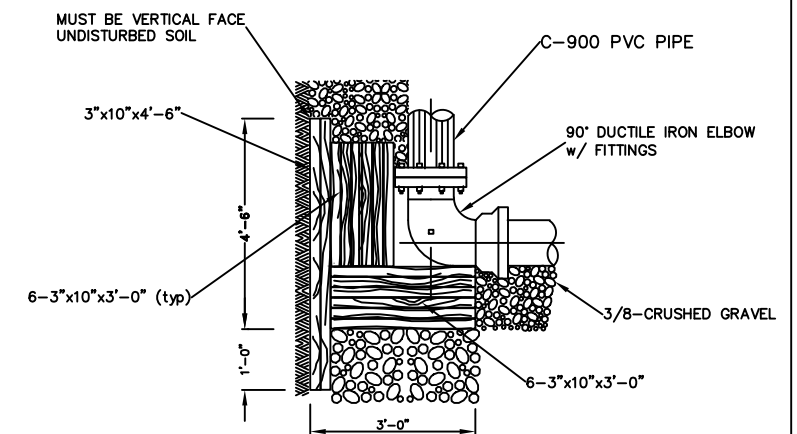
NTS

NOTE: STAINLESS STEEL SHEAR RING
IN 6", 8", 10" AND 12" SIZES REQ'D.



**DETAIL OF SERVICE CONNECTION
FOR TAPS TO MAINS**

NTS



TIMBER THRUST BLOCK DETAIL

NOTE:
TIMBER BLOCKING REQUIRED AT ALL CHANGES
IN DIRECTION GREATER THAN 22 1/2'.
ALL TIMBER BLOCKING SHALL BE TREATED LUMBER.



WATER DETAILS	
CITY OF SLIDELL ENGINEERING DEPT.	
Annual Maintenance Contract FY' 2024	
DRAWN BY: JMC	FILE No: 950-41H
Approved By: BAC	DATE: 3/10/2021