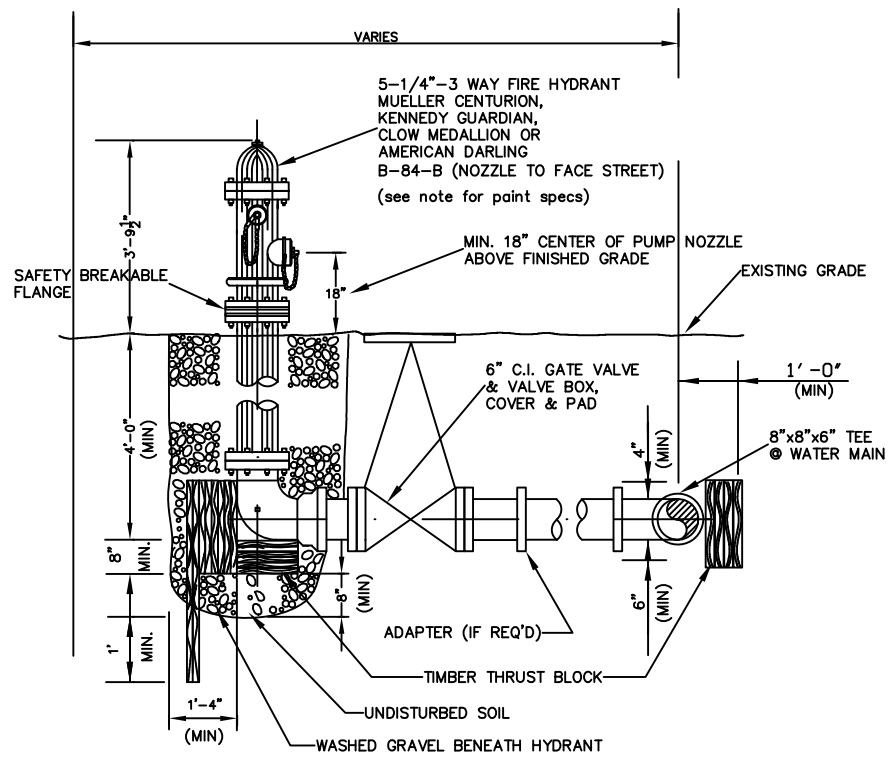


Blaine A. Clancy, P.E., City Engineer  
250 Bouscaren Street, Suite 302  
FAX (985) 646-6124

Greg Cromer - Mayor  
P.O. Box 828 Slidell, LA 70459  
(985) 646-4270



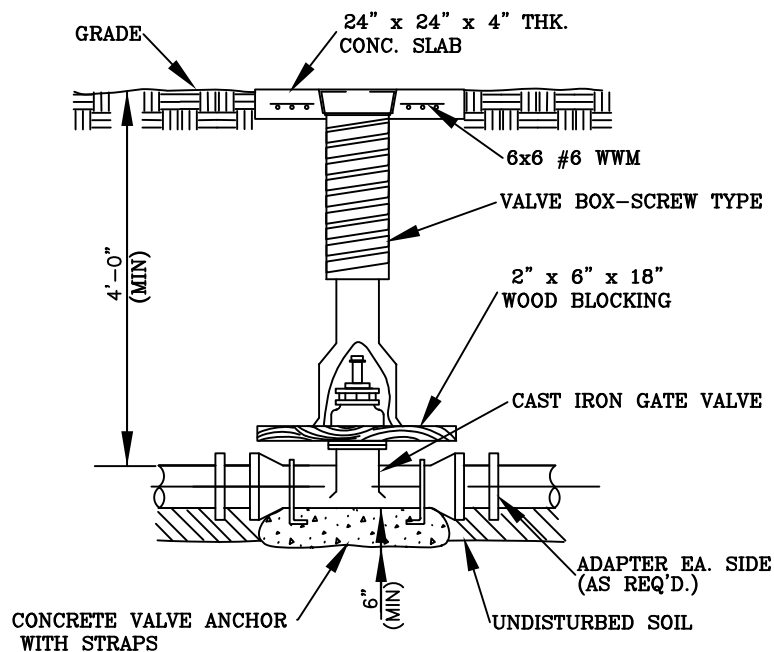
**FIRE HYDRANT DETAIL**

**NOTES:**

HYDRANT PAINT SHALL BE FACTORY APPLIED.  
(FIELD APPLIED PAINT SHALL NOT BE APPROVED)

PAINT COLOR SHALL BE:

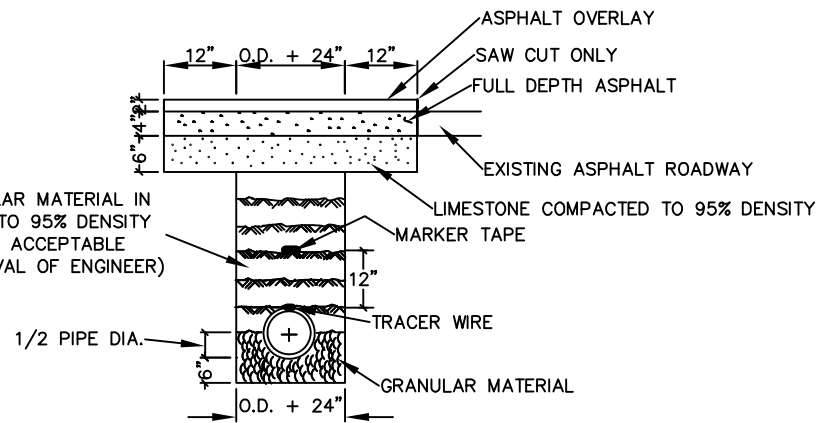
1. KENNEDY HYDRANTS: KENNEDY SAFETY YELLOW NUMBER 05
2. MUELLER HYDRANTS: SAFETY YELLOW, F63RXY9659, MA0150, PAINT CODE (M7)
3. CLOW MEDALLION: SAFETY YELLOW
4. AMERICAN DARLING HYDRANTS: DUPONT SAFETY YELLOW 1663IE



**TYPICAL VALVE BOX DETAIL**

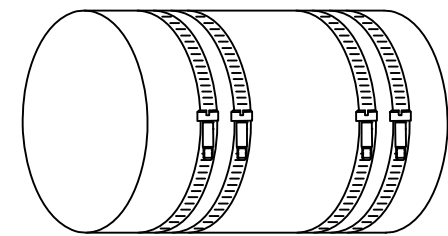
NTS

BACKFILL WITH GRANULAR MATERIAL IN 6" LIFTS, COMPACTED TO 95% DENSITY (BACKFILL w/ EXISTING ACCEPTABLE MATERIAL w/ APPROVAL OF ENGINEER)



**TYPICAL ASPHALT ROADWAY SAW CUT SECTION FOR WATER OR SEWER LINES**

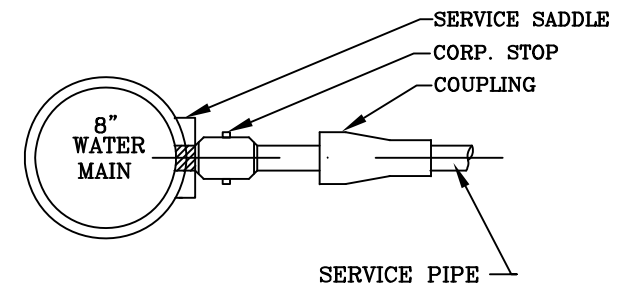
NTS



**Sewer Repair Coupling**

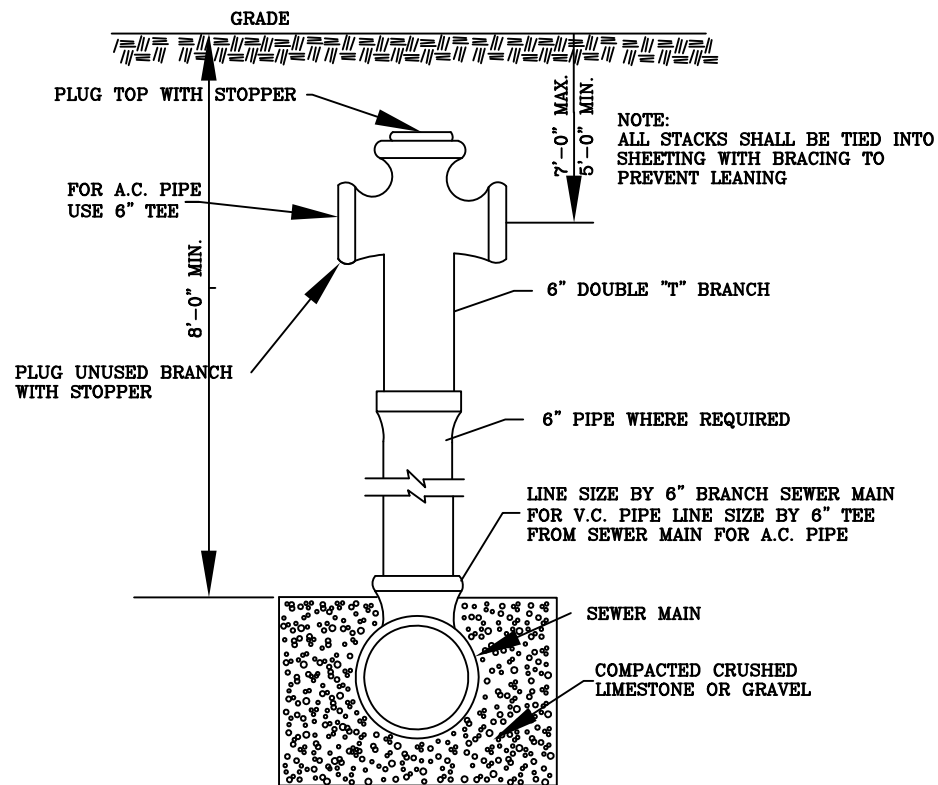
NTS

NOTE: STAINLESS STEEL SHEAR RING IN 6", 8", 10" AND 12" SIZES REQ'D.



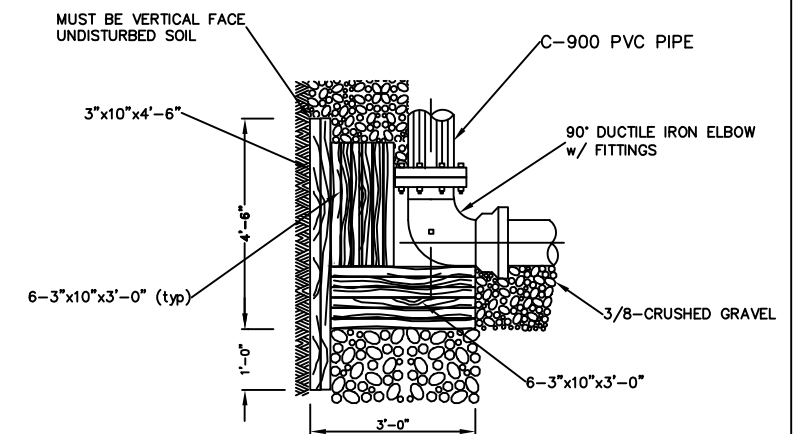
**DETAIL OF SERVICE CONNECTION FOR TAPS TO MAINS**

NTS



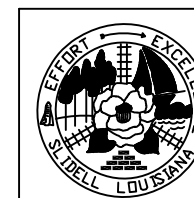
**DETAIL OF RISER**

NTS



**TIMBER THRUST BLOCK DETAIL**

NOTE:  
TIMBER BLOCKING REQUIRED AT ALL CHANGES IN DIRECTION GREATER THAN 22 1/2'.  
ALL TIMBER BLOCKING SHALL BE TREATED LUMBER.



| WATER DETAILS                        |                  |
|--------------------------------------|------------------|
| CITY OF SLIDELL ENGINEERING DEPT.    |                  |
| Annual Maintenance Contract FY' 2024 |                  |
| DRAWN BY: JMC                        | FILE No: 950-41H |
| Approved By: BAC                     | DATE: 3/10/2021  |