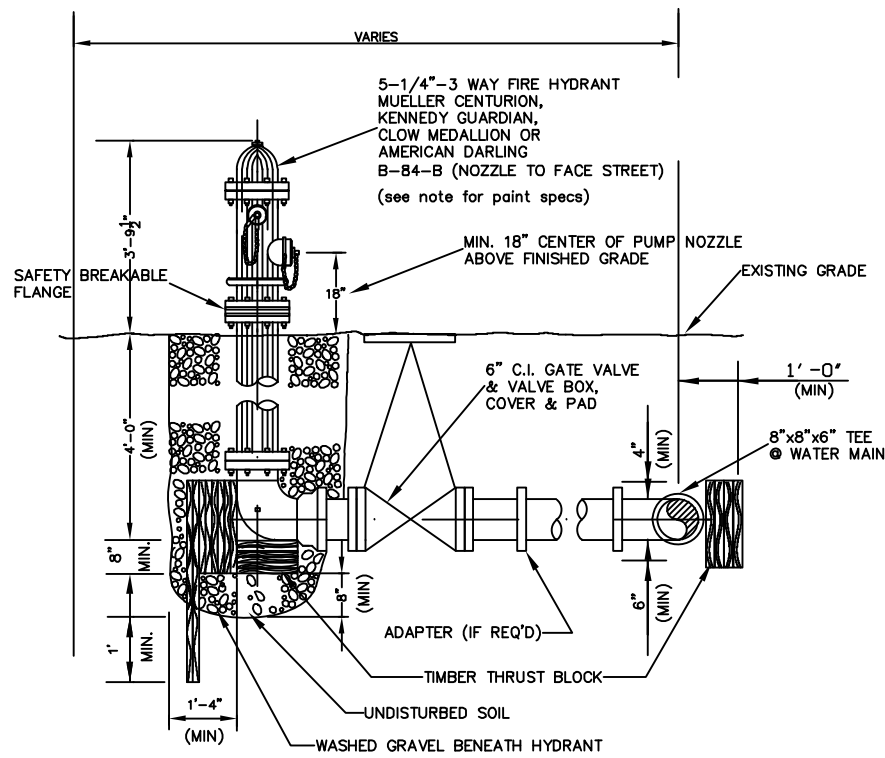


Blaine A. Clancy, P.E., City Engineer
250 Bouscaren Street, Suite 302
FAX (985) 646-6124

Greg Cromer - Mayor
P.O. Box 828 Slidell, LA 70459
(985) 646-4270



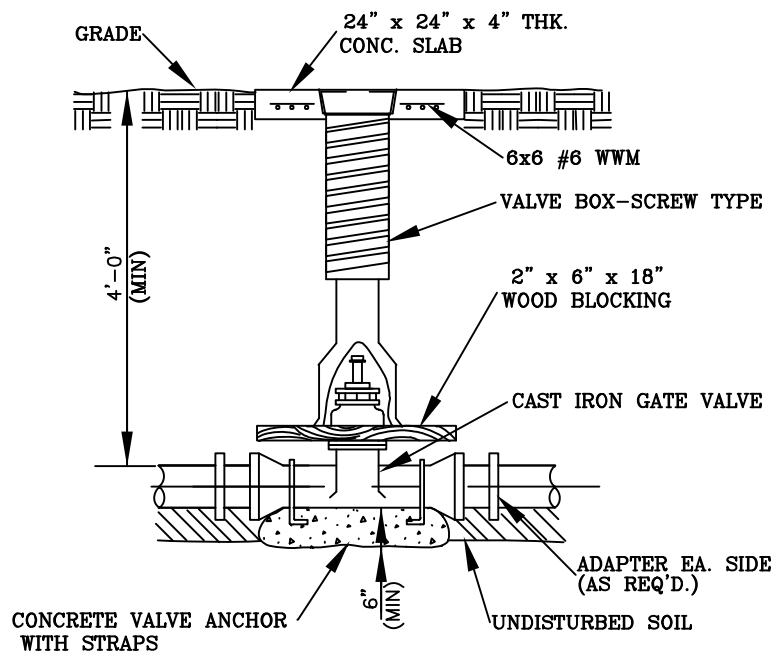
FIRE HYDRANT DETAIL

NOTES:

HYDRANT PAINT SHALL BE FACTORY APPLIED.
(FIELD APPLIED PAINT SHALL NOT BE APPROVED)

PAINT COLOR SHALL BE:

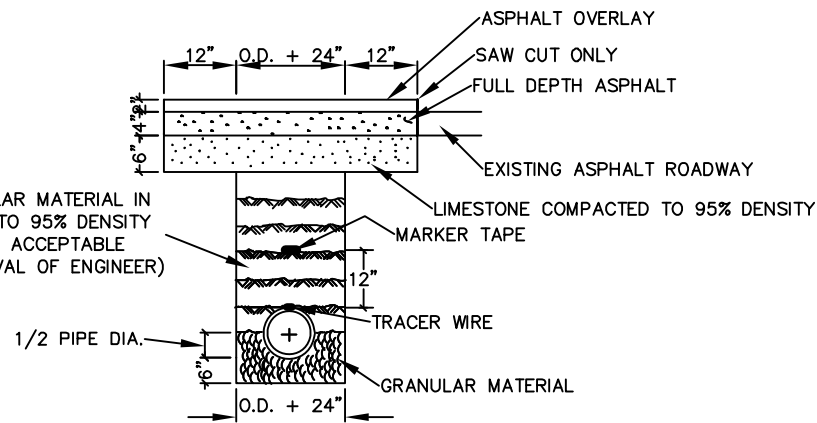
1. KENNEDY HYDRANTS: KENNEDY SAFETY YELLOW NUMBER 05
2. MUELLER HYDRANTS: SAFETY YELLOW, F63RXY9659, MA0150, PAINT CODE (M7)
3. CLOW MEDALLION: SAFETY YELLOW
4. AMERICAN DARLING HYDRANTS: DUPONT SAFETY YELLOW 1663IE



TYPICAL VALVE BOX DETAIL

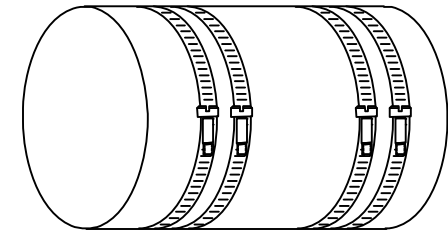
NTS

BACKFILL WITH GRANULAR MATERIAL IN 6" LIFTS, COMPACTED TO 95% DENSITY (BACKFILL w/ EXISTING ACCEPTABLE MATERIAL w/ APPROVAL OF ENGINEER)



TYPICAL ASPHALT ROADWAY SAW CUT SECTION FOR WATER OR SEWER LINES

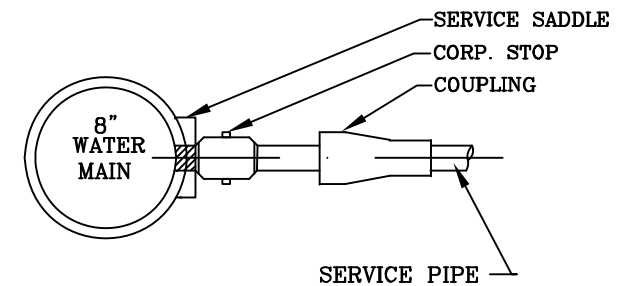
NTS



Sewer Repair Coupling

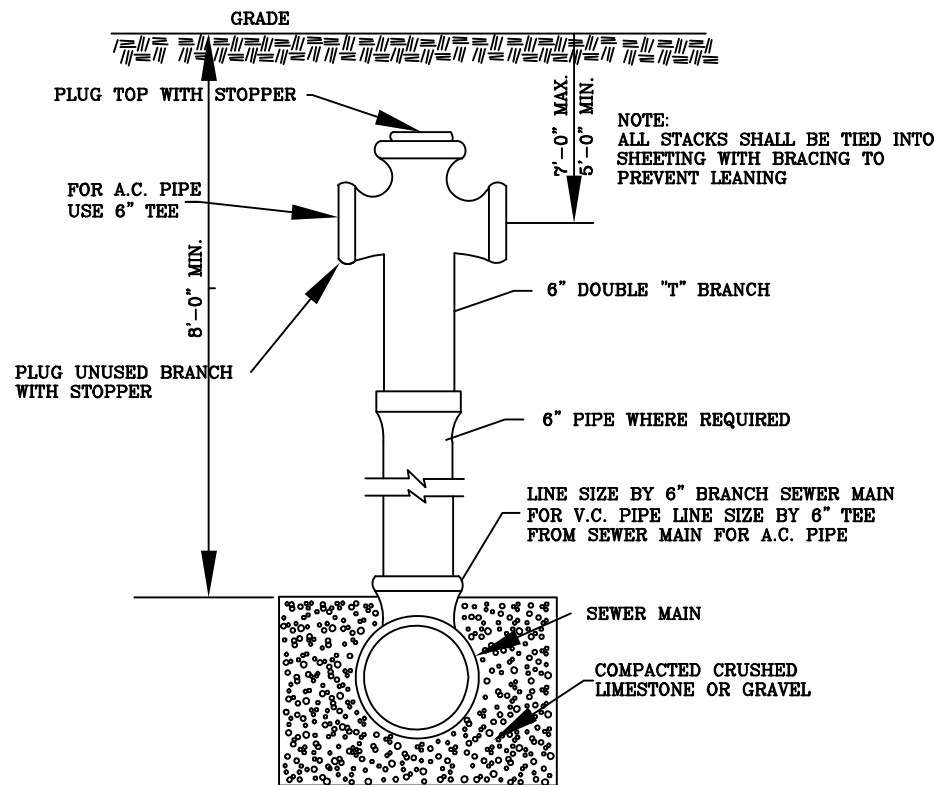
NTS

NOTE: STAINLESS STEEL SHEAR RING IN 6", 8", 10" AND 12" SIZES REQ'D.



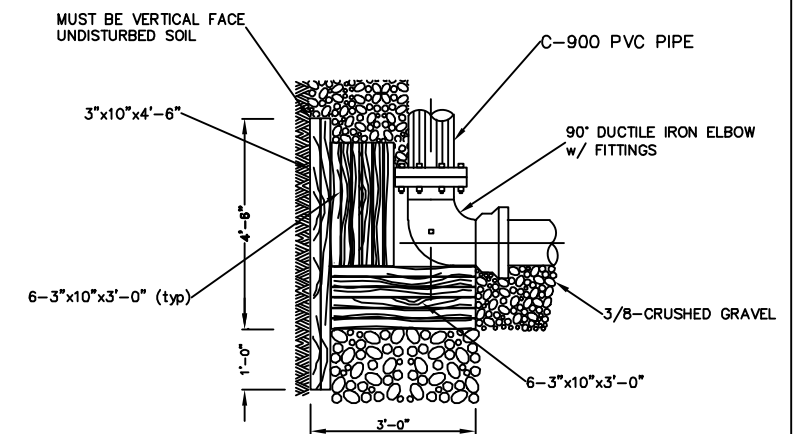
DETAIL OF SERVICE CONNECTION FOR TAPS TO MAINS

NTS



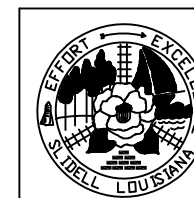
DETAIL OF RISER

NTS



TIMBER THRUST BLOCK DETAIL

NOTE:
TIMBER BLOCKING REQUIRED AT ALL CHANGES IN DIRECTION GREATER THAN 22 1/2'.
ALL TIMBER BLOCKING SHALL BE TREATED LUMBER.



| WATER DETAILS | |
|--------------------------------------|------------------|
| CITY OF SLIDELL ENGINEERING DEPT. | |
| Annual Maintenance Contract FY' 2024 | |
| DRAWN BY: JMC | FILE No: 950-41H |
| Approved By: BAC | DATE: 3/10/2021 |