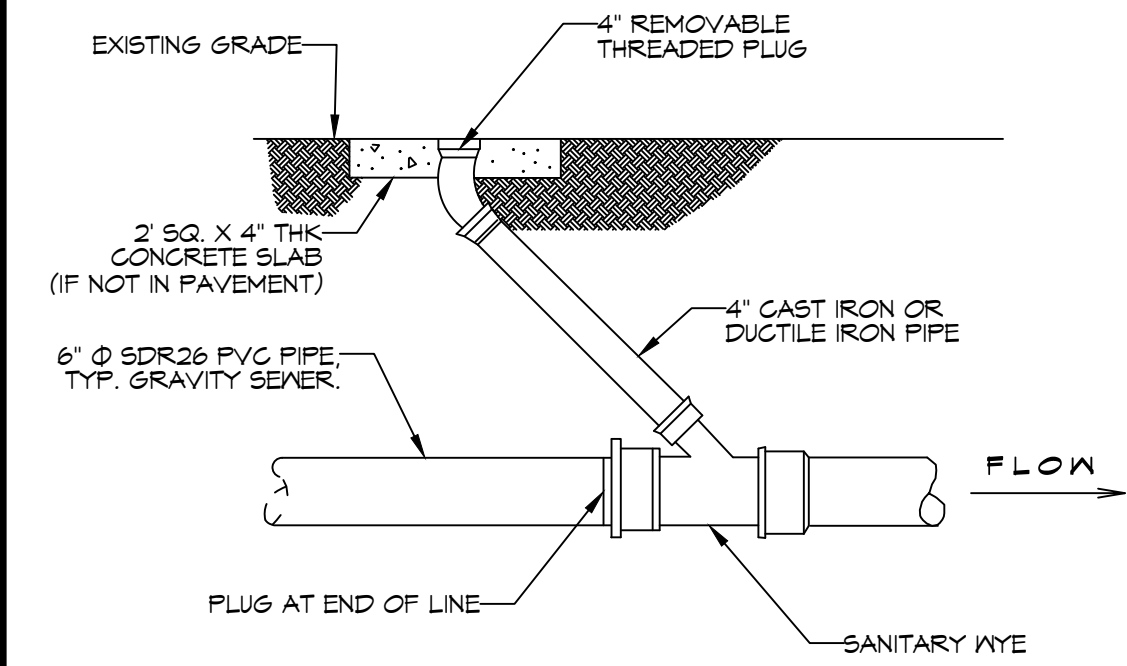


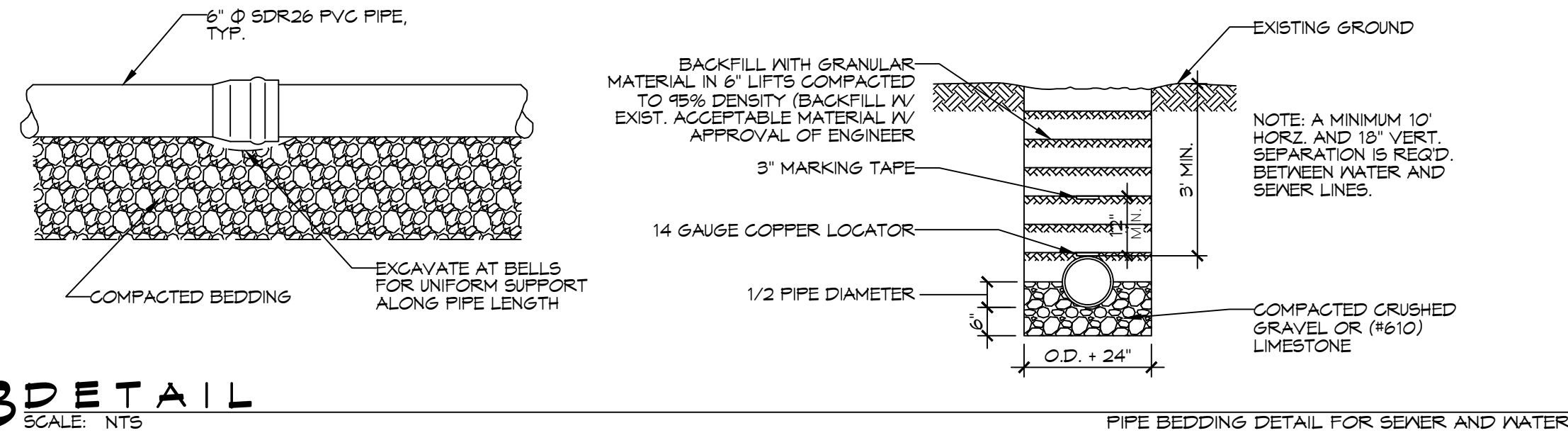
FILE NAME: J:\Projects\19232 - Pope John High School Auditorium\19232 - Pope John High School Auditorium\19232 - Pope John High School Auditorium.dwg
 PLOT DATE & TIME: Thursday, February 19, 2026 2:04:42 PM
 USER: brian.mistich
 PLOT DEVICE: HP DesignJet 500

A DETAIL
SCALE: N.T.S.



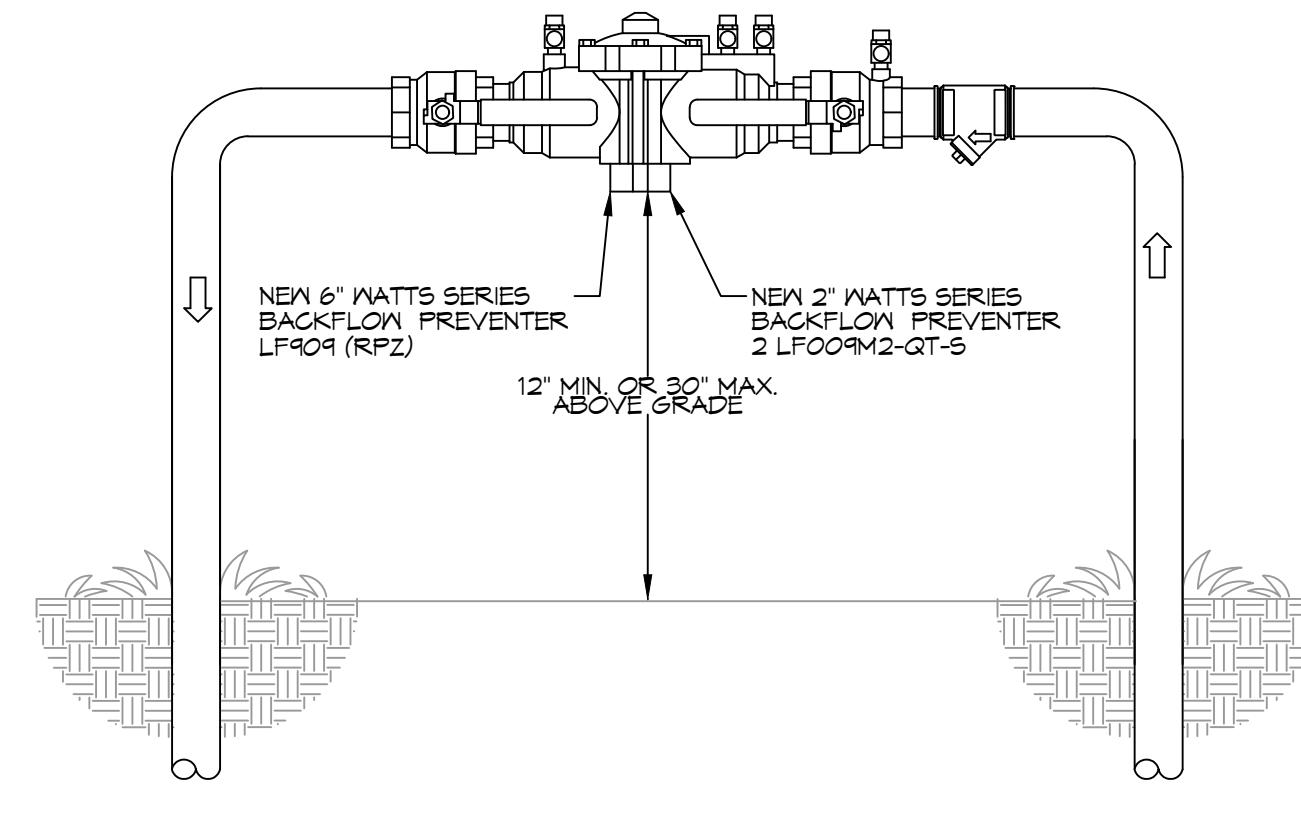
THROUGH FLOW CLEAN OUT DETAIL

B DETAIL
SCALE: N.T.S.



PIPE BEDDING DETAIL FOR SEWER AND WATER

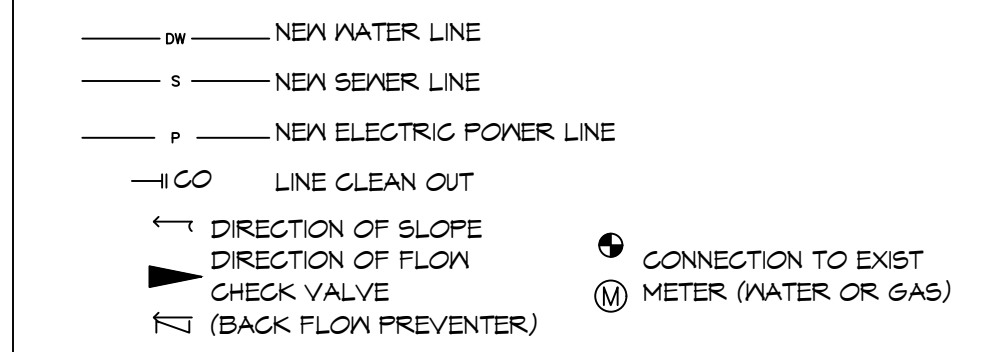
3 TYPICAL RISER DETAIL
SCALE: N.T.S.



GENERAL SITE UTILITIES NOTES

- ALL CONSTRUCTION SHALL COMPLY WITH CONTRACT SPECIFICATIONS AND APPLICABLE LOCAL, STATE, AND FEDERAL STANDARDS AND REGULATIONS.
- CONSTRUCTION SHALL NOT INTERRUPT EXISTING UTILITIES.
- ALL DISTURBED GROUND SHALL BE RESTORED IN KIND TO A CONDITION EQUAL TO OR BETTER THAN ORIGINALLY FOUND.
- SOIL EROSION CONTROL SHALL BE IN ACCORDANCE WITH THESE DOCUMENTS.
- PROTECT EXISTING UTILITY LINES FROM DAMAGE. FOLLOW INDIVIDUAL UTILITY'S RECOMMENDATIONS FOR UTILITY LINE PROTECTION.
- CONTRACTOR SHALL IMMEDIATELY REPORT ALL DAMAGE TO UTILITY LINES TO BOTH UTILITY COMPANY AND ENGINEER.
- ALL DAMAGE CAUSED TO EXISTING UTILITY LINES BY CONTRACTOR'S OPERATIONS SHALL BE REPAIRED BY THE CONTRACTOR TO COMPLETE SATISFACTION OF THE UTILITY COMPANY AND ENGINEER.
- LOCATION OF EXISTING UTILITIES IS APPROXIMATE. CONTRACTOR SHALL FIELD VERIFY EXACT LOCATIONS.
- CONTRACTOR IS RESPONSIBLE FOR CUT AND GAP OF EXISTING UTILITIES PRIOR TO ANY DEMOLITION.
- CONTRACTOR SHALL CONTACT LOUISIANA ONE CALL PRIOR TO COMMENCEMENT OF SITE EXCAVATION.
- THE CONTRACTOR SHALL CONTACT CITY OF SLIDELL PUBLIC UTILITY DEPARTMENT AT (985) 846-4291 FOR TAPS.
- THE CONTRACTOR SHALL CONTACT HERB GORNOR @ WASHINGTON ST TAMMANY (985) 892-8804 FOR POWER CONNECTION.

SITE UTILITIES LEGEND



DAMMON ENGINEERING, INC.
 LOUISIANA & MISSISSIPPI
 Chief Engineer: Brian Mistich, PE
 554 Old Spanish Trail
 Slidell, LA 70458
 www.dammonengineering.com
 info@dammonengineering.com
 PH: 985.649.5832 F: 985.641.9950

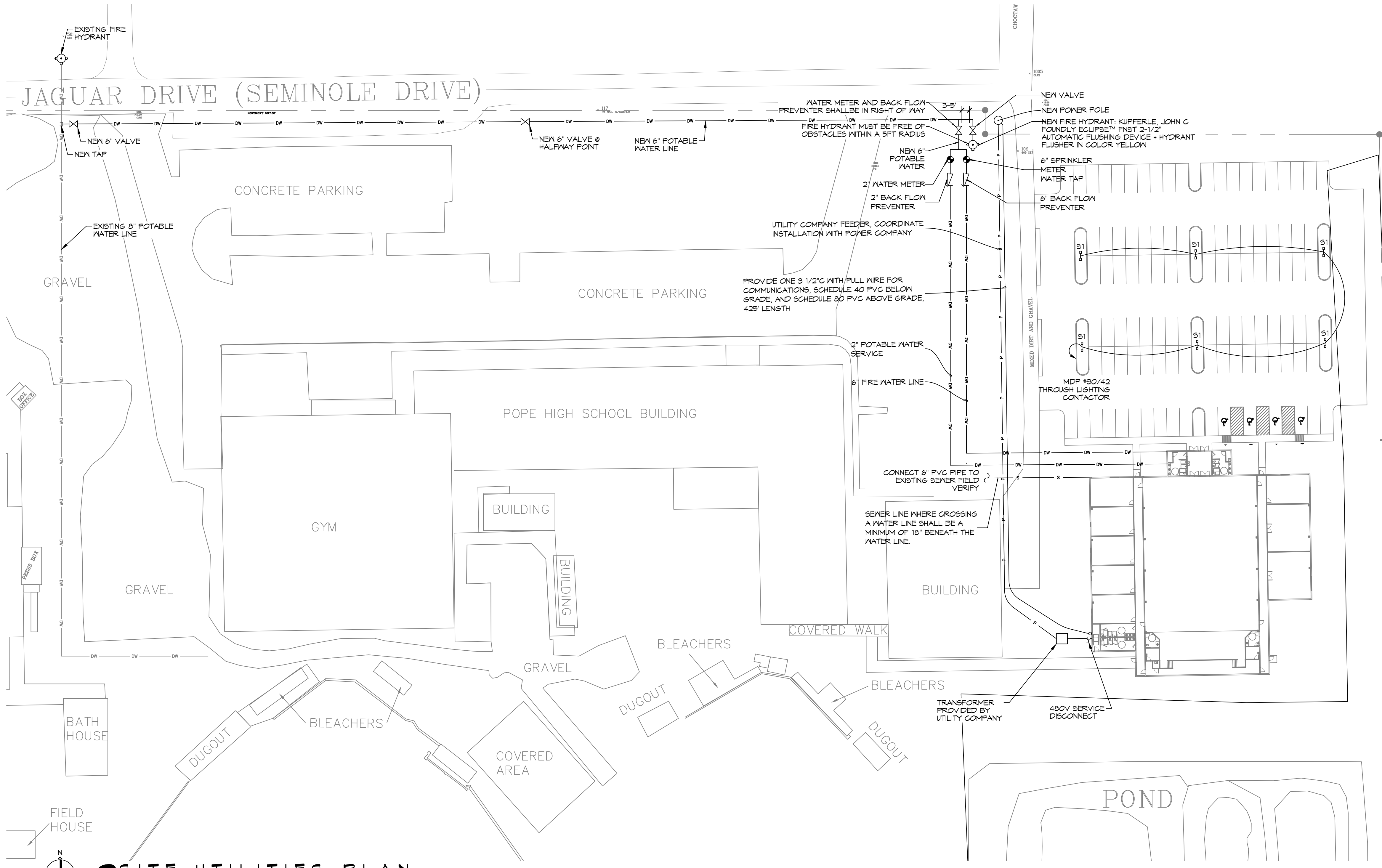
NO.	DATE	DESCRIPTION



NEW AUDITORIUM
 POPE JOHN HIGH SCHOOL

SHEET TITLE:
 SITE UTILITIES PLAN
 DRAWING NUMBER:
C102
 SHEET No: 4 of 17

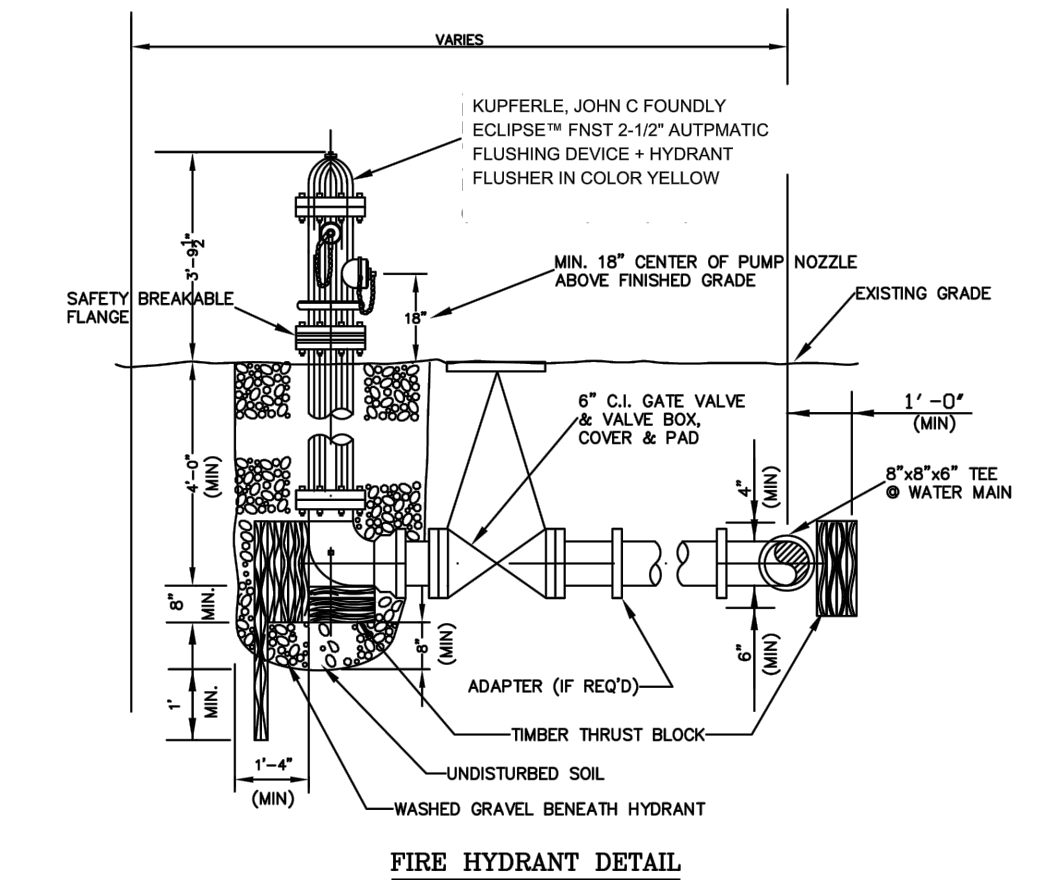
JAGUAR DRIVE (SEMINOLE DRIVE)



2 SITE UTILITIES PLAN
SCALE: 1"=40'-0"

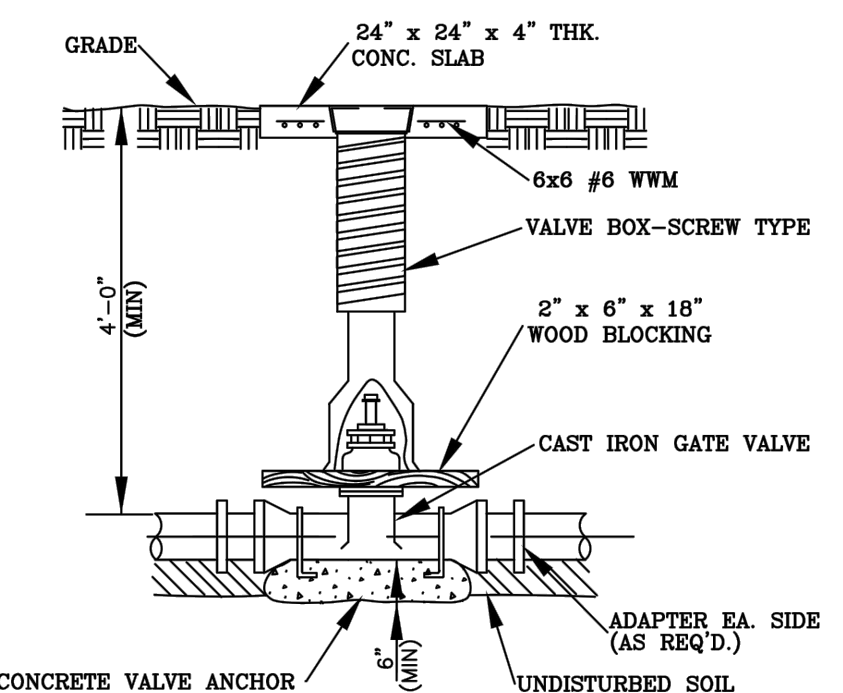
Luminaire Schedule						
Symbol	Label	Qty	Arrangement	Manufacturer & Part Number	LLF	Lum. Lumens
	S1	6	Back-Back	NLS - NV-1-T5W 32L-7-40K7- H V	0.950	10365

PARKING LOT LIGHTING SCHEDULE
SCALE: N.T.S.



- NOTES:
 HYDRANT PAINT SHALL BE FACTORY APPLIED. (FIELD APPLIED PAINT SHALL NOT BE APPROVED)
 PAINT COLOR SHALL BE:
 1. KENNEDY HYDRANTS: KENNEDY SAFETY YELLOW NUMBER 05
 2. MUELLER HYDRANTS: SAFETY YELLOW, F830X1959, MA0150, PAINT CODE (W7)
 3. CLOW MEDALLION: SAFETY YELLOW
 4. AMERICAN DARLING HYDRANTS: DUPONT SAFETY YELLOW 1663E

FIRE HYDRANT DETAIL



TYPICAL VALVE BOX DETAIL

4 FIRE HYDRANT DETAIL
SCALE: N.T.S.

DESIGN EXCEPTION

TYPICAL