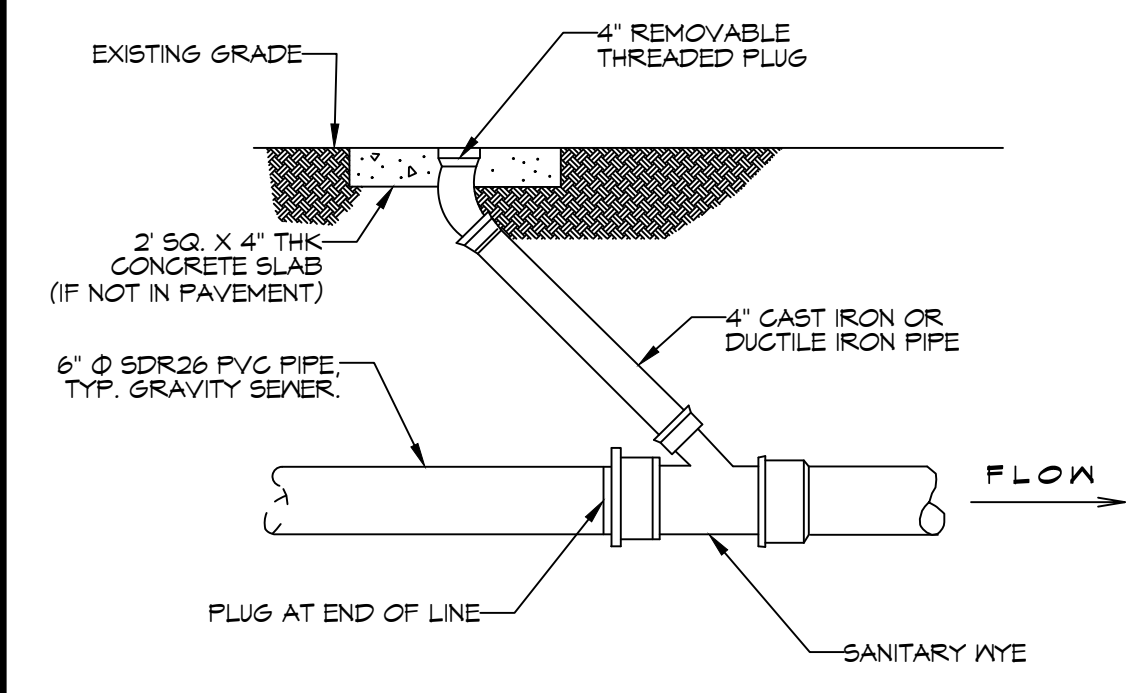
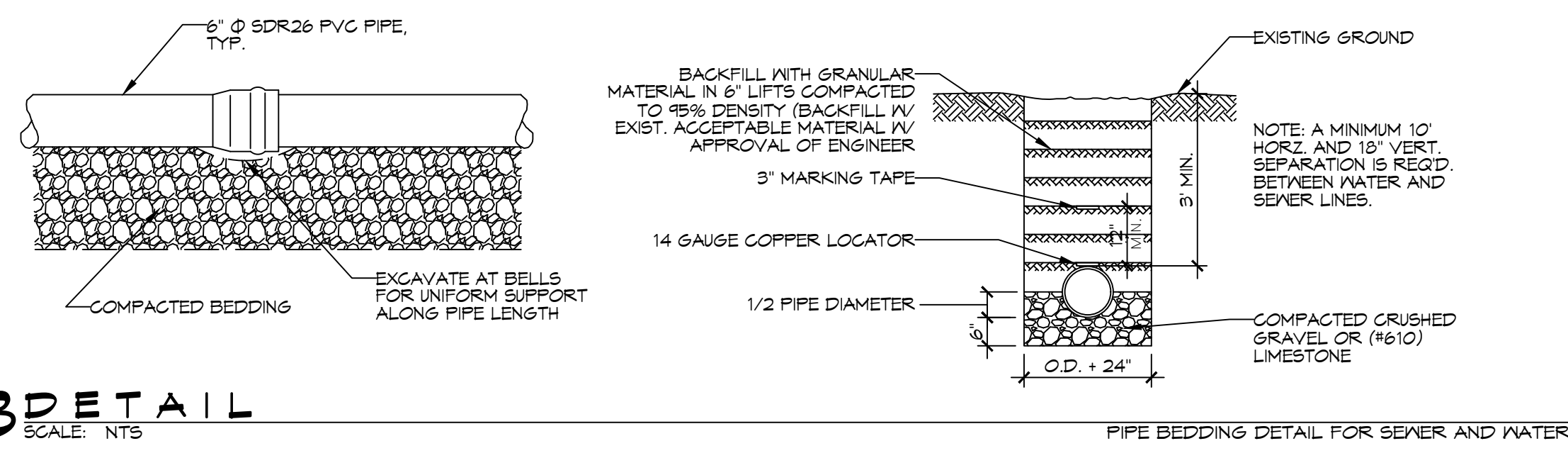


FILE NAME: A:\Projects\2022\1901 LAGUAR DR. SLD\1901 LAGUAR DR. SLD.dwg
 PLOT DATE: 02/15/2026
 PLOT TIME: 10:00:34 AM
 PLOT BY: BAK

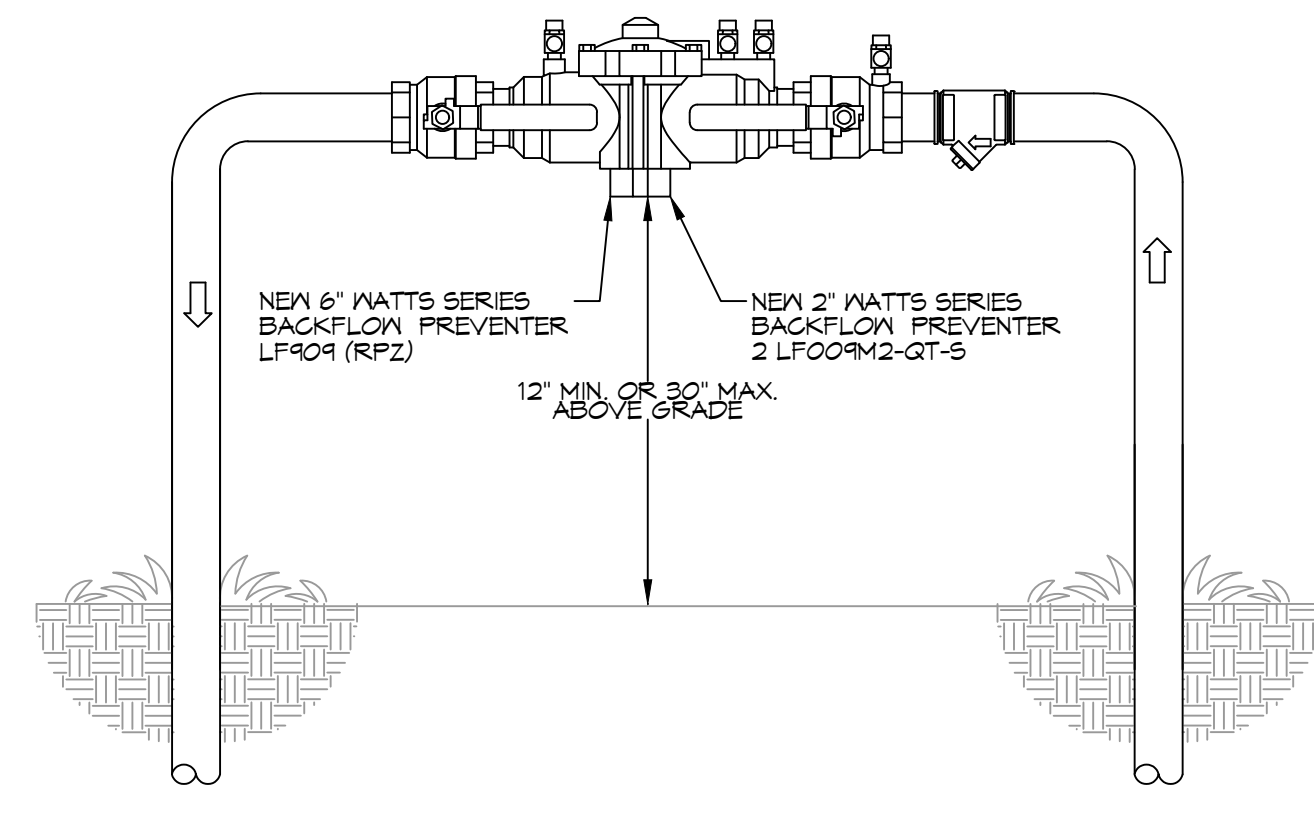
A DETAIL
SCALE: N.T.S.



B DETAIL
SCALE: N.T.S.



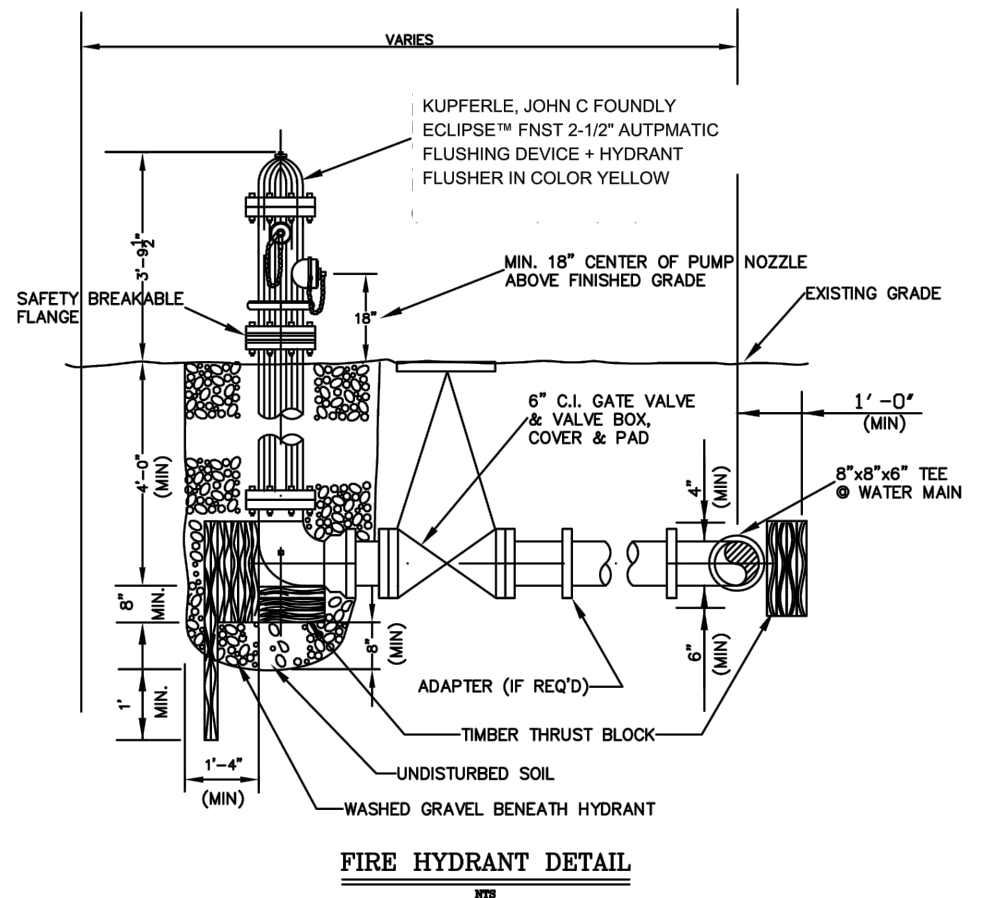
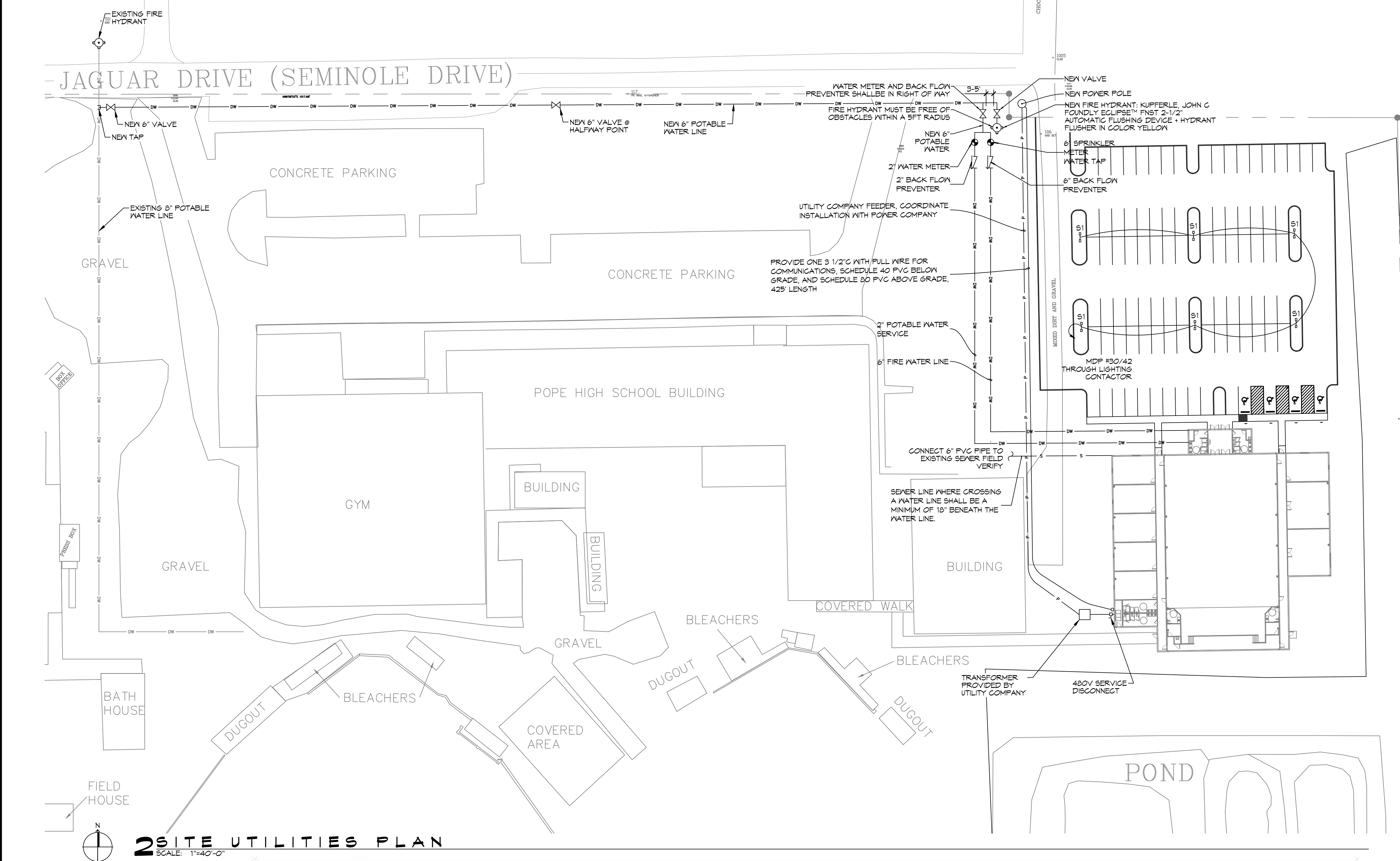
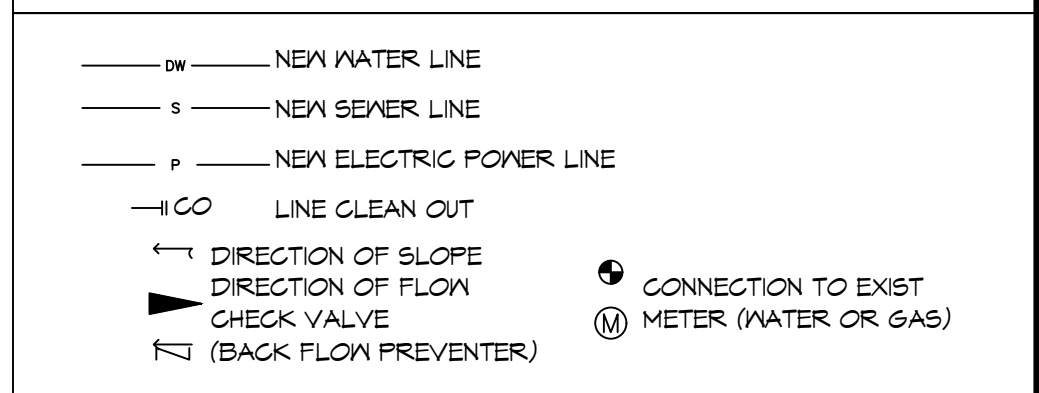
3 TYPICAL RISER DETAIL
SCALE: N.T.S.



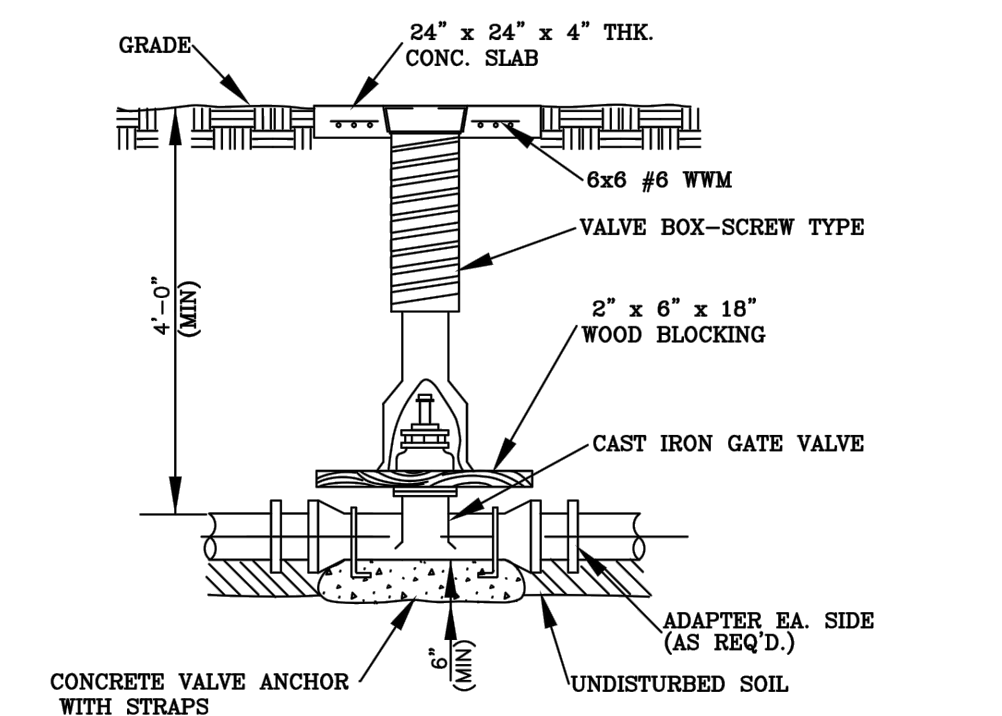
GENERAL SITE UTILITIES NOTES

- ALL CONSTRUCTION SHALL COMPLY WITH CONTRACT SPECIFICATIONS AND APPLICABLE LOCAL, STATE, AND FEDERAL STANDARDS AND REGULATIONS.
- CONSTRUCTION SHALL NOT INTERRUPT EXISTING UTILITIES.
- ALL DISTURBED GROUND SHALL BE RESTORED IN KIND TO A CONDITION EQUAL TO OR BETTER THAN ORIGINALLY FOUND.
- SOIL EROSION CONTROL SHALL BE IN ACCORDANCE WITH THESE DOCUMENTS.
- PROTECT EXISTING UTILITY LINES FROM DAMAGE. FOLLOW INDIVIDUAL UTILITY'S RECOMMENDATIONS FOR UTILITY LINE PROTECTION.
- CONTRACTOR SHALL IMMEDIATELY REPORT ALL DAMAGE TO UTILITY LINES TO BOTH UTILITY COMPANY AND ENGINEER.
- ALL DAMAGE CAUSED TO EXISTING UTILITY LINES BY CONTRACTOR'S OPERATIONS SHALL BE REPAIRED BY THE CONTRACTOR TO COMPLETE SATISFACTION OF THE UTILITY COMPANY AND ENGINEER.
- LOCATION OF EXISTING UTILITIES IS APPROXIMATE. CONTRACTOR SHALL FIELD VERIFY EXACT LOCATIONS.
- CONTRACTOR IS RESPONSIBLE FOR CUT AND GAP OF EXISTING UTILITIES PRIOR TO ANY DEMOLITION.
- CONTRACTOR SHALL CONTACT LOUISIANA ONE CALL PRIOR TO COMMENCEMENT OF SITE EXCAVATION.
- THE CONTRACTOR SHALL CONTACT CITY OF SLIDELL PUBLIC UTILITY DEPARTMENT AT (985) 846-4291 FOR TAPS.
- THE CONTRACTOR SHALL CONTACT HERB GORNOR @ WASHINGTON ST TAMMANY (985) 892-8804 FOR POWER CONNECTION.

SITE UTILITIES LEGEND



- NOTES:**
HYDRANT PAINT SHALL BE FACTORY APPLIED. (FIELD APPLIED PAINT SHALL NOT BE APPROVED)
PAINT COLOR SHALL BE:
1. KENNEDY HYDRANTS: KENNEDY SAFETY YELLOW NUMBER 05
2. MUELLER HYDRANTS: SAFETY YELLOW, F830X1959, M40150, PAINT CODE (W7)
3. CLOW MEDALLION: SAFETY YELLOW
4. AMERICAN DARLING HYDRANTS: DUPONT SAFETY YELLOW 1663E



4 FIRE HYDRANT DETAIL
SCALE: N.T.S.

2 SITE UTILITIES PLAN
SCALE: 1"=40'-0"

Luminaire Schedule						LLF	Lum. Lumens
Symbol	Label	Qty	Arrangement	Manufacturer & Part Number			
	S1	6	Back-Back	NLS - NV-1-T5W 32L-7-40K7- HV	0.950	10365	

PARKING LOT LIGHTING SCHEDULE
SCALE: N.T.S.

DAMMON ENGINEERING, INC.
LOUISIANA & MISSISSIPPI
www.dammonengineering.com
info@dammonengineering.com
554 Old Spanish Trail
Slidell, LA 70458
Chief Engineer: Brian Mistich, PE
PH: 985.649.5832 F: 985.641.5950

#	DESCRIPTION	DATE

#	DESCRIPTION	DATE

NEW AUDITORIUM POPE JOHN PAUL II HIGH SCHOOL
1901 LAGUAR DR. SLIDELL, LA 70461
JOB No: 2022-19-2026
DATE: 02-15-2026
DRAWN BY: BAK
CHECKED BY: GCS

SHEET TITLE: SITE UTILITIES PLAN
DRAWING NUMBER: **C102**
SHEET No: 4 of 17