

HIMMEL'S

HARDWARE & CABINETS, INC.

16491 AIRLINE HWY.
P.O. BOX 960
PRAIRIEVILLE, LA. 70769

Toilet Partitions and
Toilet Accessories

71000
10.11.2014

PROJECT: Veterans Park

CONTRACTOR: FMA, Inc.

ARCHITECT:

DATE: 10/24/2014

SUBMITTED BY: Jeremy Thibodeaux (jthibodeaux@himmels.com)

FMA, Inc.

✓ **Reviewed** 10-29-14

___ **Reviewed as Noted**

___ **Reject/Resubmit**

PHONE (225) 673-8777

FAX (225) 673-2444

TOILET PARTITIONS

4 ea
2 ea

Baked Enamel Toilet Stalls
Baked Enamel Urinal Screens

Accurate
Accurate

INFORMATION:

ACCURATE SO #: 591231

CUSTOMER PO #: 5294JT

WE ARE SENDING YOU THE FOLLOWING:

DRAWINGS FOR APPROVAL

FINAL "AS BUILT" DRAWINGS

THIS TRANSMITTAL IS:

FOR YOUR APPROVAL
(RETURN TO CUSTOMER SERVICE REP)

FOR YOUR RECORDS

PER YOUR REQUEST

This job will be scheduled for fabrication only after we receive your approved drawings showing the actual/verified field measurements, room color selections, and ceiling heights (when applicable).

ADDITIONAL COMMENTS OR INSTRUCTIONS:

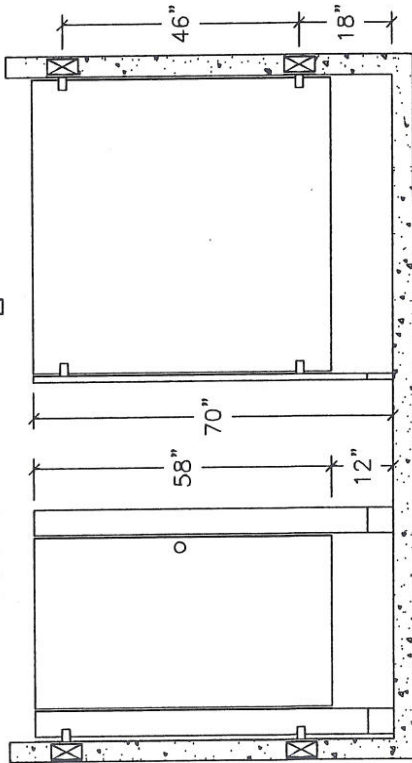
ACCURATE PARTITIONS CORP.

P.O. BOX 287
LYONS, IL 60534-0287

8000 JOLIET RD.
McCOOK, IL 60525-3254

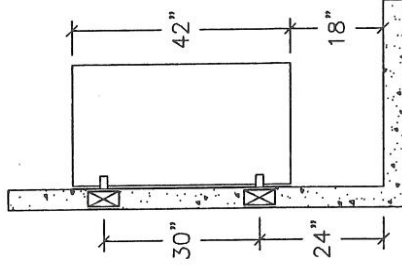
PHONE: (708)-442-6800
FAX (708)-442-7439

INDICATES BLOCKING →



FRONT & SIDE ELEVATION
NOT TO SCALE

INDICATES BLOCKING →



"A" SCREEN SIDE ELEVATION
NOT TO SCALE

NOTES:

1. 1" DOORS AND PANELS
2. 1-1/4" PILASTERS
3. STAINLESS STEEL HARDWARE
4. CONTINUOUS S/S CAM-ACTION HINGES
5. NO-SIGHTLINE SYSTEM
6. 2" MINIMUM STRUCTURAL CONCRETE REQUIRED
7. ALL FASTENERS ARE TAMPER RESISTANT
8. ALL DIMENSIONS ARE IN INCHES
9. COLOR :

Accurate

Accurate Partitions Corp.

JOB NAME: THIRD ST. VETERANS PARK

DISTRIBUTOR: HIMMEL'S HARDWARE & CABINETS

TYPE: POWDER COATED STEEL FLOOR MOUNTED

PO#: 5294JT

SO#: 591231

DRAWN BY: M DITKOWICH

SCALE: NTS

DATE: 10/24/14

PAGE: 1 OF 2

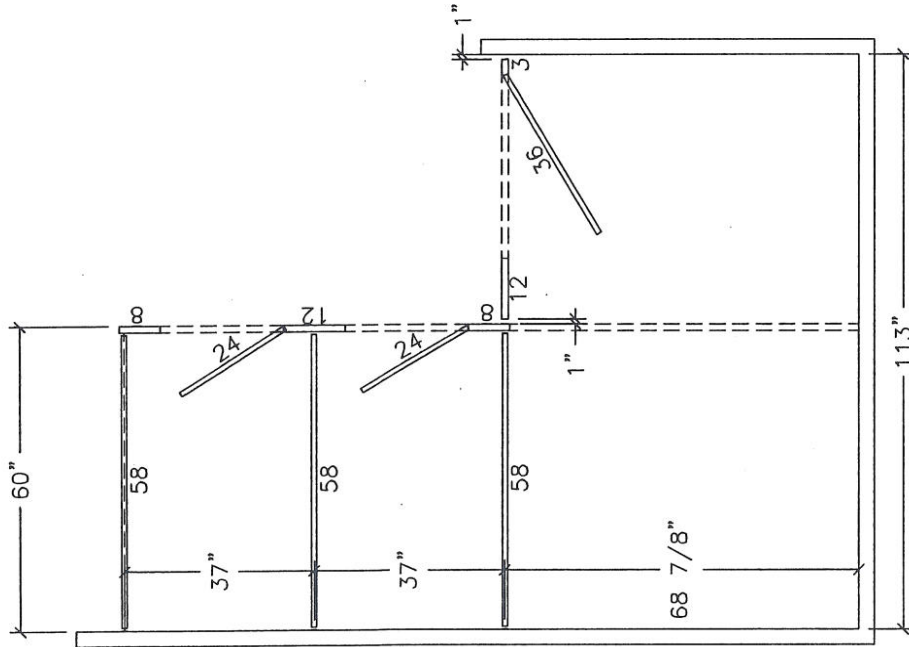
REVISIONS

DRAWINGS

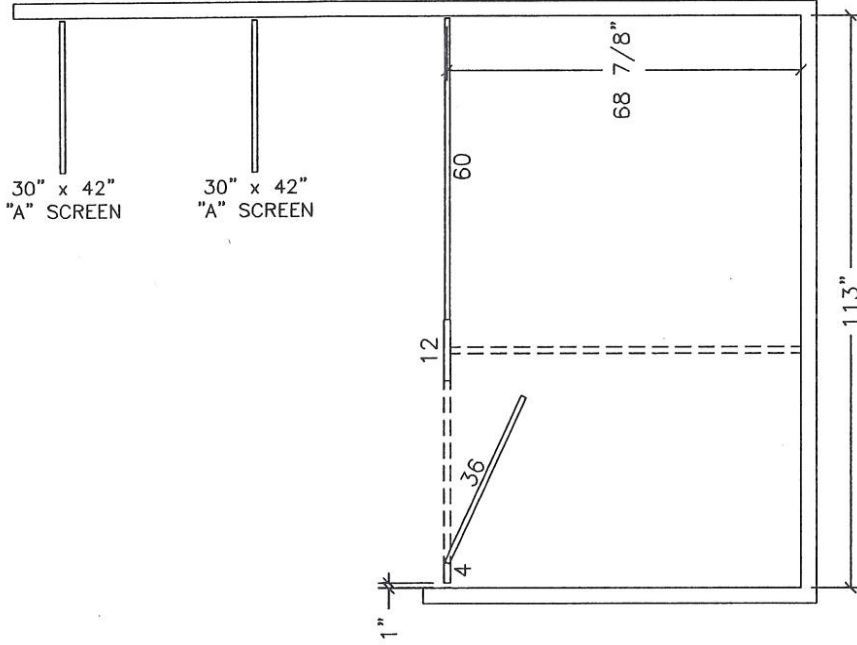
APPROVAL

FAB

Accurate Partitions Corp. (APC) will attempt to draw compartments specifically requested/designated as Accessible in compliance with current Federal ADA and ANSI A117 codes. Any other requirements arising from state/local codes or facility use must be specifically communicated to APC prior to approval of these drawings.



WOMENS ROOM



MENS ROOM

Accurate
Accurate Partitions Corp.

JOB NAME: THIRD ST. VETERANS PARK
 DISTRIBUTOR: HIMMEL'S HARDWARE & CABINETS
 TYPE: POWDER COATED STEEL FLOOR MOUNTED
 PO#: 5294JT
 SO#: 591231
 DRAWN BY: M DITKOWICH
 SCALE: NTS

REVISIONS

DRAWINGS
 APPROVAL

DATE: 10/24/14

PAGE: 2 OF 2

APPROVAL

FAB

Accurate Partitions Corp. (APC) will attempt to draw compartments specifically requested/designated as Accessible in compliance with current Federal ADA and ANSI A117 codes.
 Any other requirements arising from state/local codes or facility use must be specifically communicated to APC prior to approval of these drawings.

Toilet Accessories

2	ea	36" Grab bars	8120-36	Bradley
2	ea	42" Grab Bar	8120-42	Bradley
4	ea	Toilet Tissue Holders	8402	Bradley
4	ea	24x36 Mirror	781-2436	Bradley
2	ea	Hand Dryers	DA-52-973	World Dryer
2	ea	Trash Grommet	TM1	Mockett

1½" O.D. heavy duty stainless steel grab bar with concealed mounting:

Product Materials

FLANGES: 3¼" dia. 13 gauge stainless steel.

ESCUTCHEONS: 22 gauge stainless steel. One-piece drawn construction with exposed surfaces in architectural satin finish. Snap over flanges to conceal mounting screws.

TUBING: 1½" O.D. 18 gauge stainless steel, seamless construction with exposed surfaces in architectural satin finish. Bent ends of tubing pass thru the flanges and are welded for maximum strength. Intermediate supports are contour cut and joined by welding to form an integral part of the grab bar. All exposed welds ground and polished to blend. Mandrel bending process maintains uniform bar diameter. Return provides 1½" standard safety clearance between wall and bar.

Strength

When properly mounted, all Bradley heavy duty grab bar systems meet or exceed the requirements of ANSI Standard A117.1, the ADA and ABA Accessibility Guidelines for Buildings and Facilities (ADAAG), and the Uniform Federal Accessibility Standard (UFAS). Select dimensions of configurations (-001, -054, -055, -059, and -060) are IAPMO certified to support up to 1000 pounds. (Please see Bradley's web site for more information on all grab bar configurations.)

Installation

Verify all rough-in dimensions prior to installation. Secure to wall where adequate in-wall backing exists. Use bar as template to locate mounting holes. Drill holes and set anchors as appropriate. Mount grab bar and secure mounting screws (not included). Snap escutcheons into place. For information on Bradley grab bar mounting kits, please visit bradleycorp.com.

Optional Features

Features	Suffix
<input type="checkbox"/> Safety-grip finish	-2
<input type="checkbox"/> High-polish finish	-4
<input type="checkbox"/> Safety grip with high-polished finish	-7
<input type="checkbox"/> Antimicrobial finish: 18", 24", 36" & 42" only	-AM

Guide Specification

Grab bar shall be fabricated of satin finish stainless steel with concealed mounting flanges in sizes and configurations as indicated. Install with Bradley Mounting Kits as indicated.

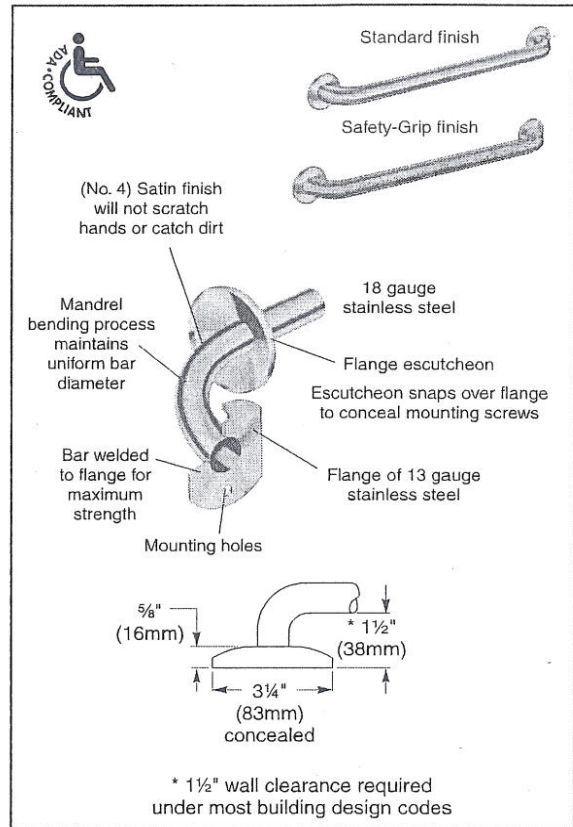
ADA Compliant

- Consult local and national accessibility codes for proper installation guidelines.
- Conformity and compliance to local and national codes is the responsibility of the installer.

Washroom Accessories
Document No. 8810

This information is subject to change without notice.

8/12/2013



Bradex® Models

Configuration Number	Shipping Data		Configuration Number	Shipping Data	
	Cu. Ft.	Wt. Lbs.		Cu. Ft.	Wt. Lbs.
001-18"•	0.14	2	001-42"•	0.15	4
001-24"•	0.14	3	001-42"-10•	3.14	37.67
001-30"	0.15	3	001-48"	0.25	4
001-36"•	0.15	3	059**	2.85	7
001-36-10•	2.40	30.46			

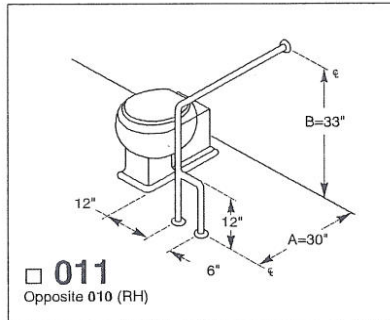
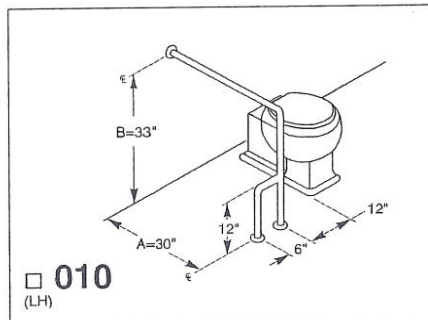
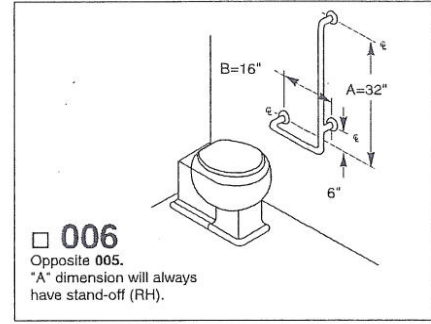
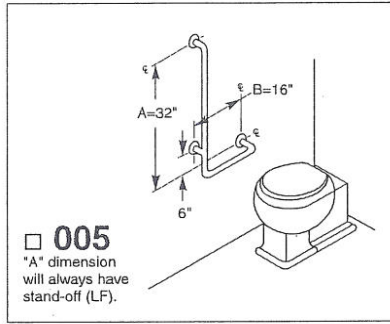
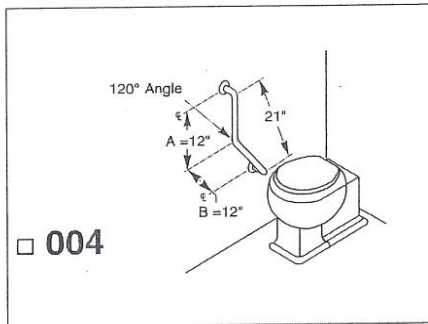
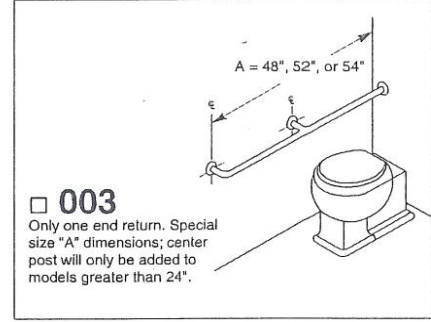
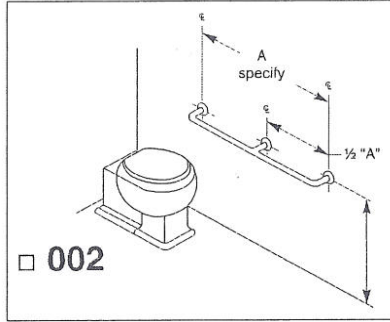
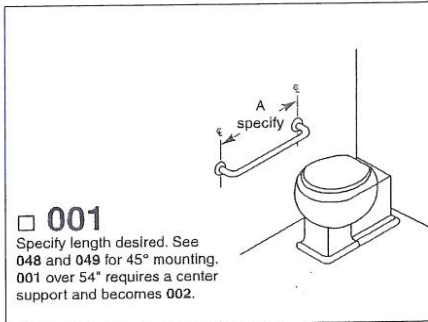
NOTE: These units must ship via common carrier.
 ** 059: 40" x 52" Standard Dimensions.
 • Indicates available Safety Grip. **Bradex®**

Orders composed of products indicated as **Bradex®** will be available to ship in three days after receipt of order at the factory. There is no pricing penalty for this service from Bradley.

© 2013 Bradley
 P.O. Box 309, Menomonee Falls, WI 53052-0309
 Phone: 800.BRADLEY (800.272.3539) Fax: 262.253.4161
bradleycorp.com

Distributor/Wholesaler: Himmel's Architectural Door	Date: 10/20/14
Project & Location: Veterans Park - Prairieville La	
Model Number: 8120-001360	Qty: 2

Typical Water Closet Applications:



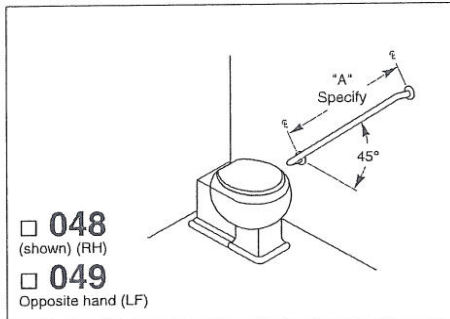
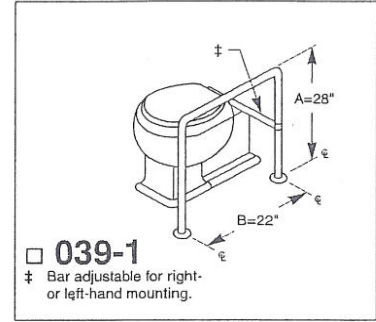
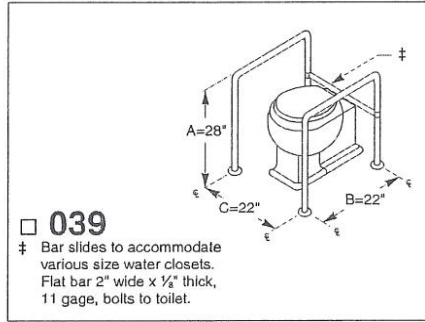
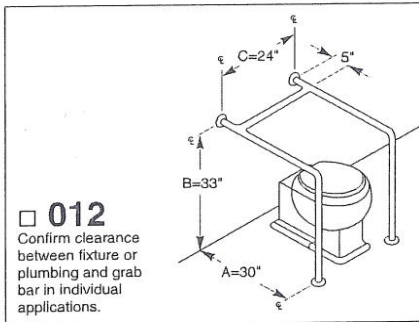
ADA Compliant

- Consult local and national accessibility codes for proper installation guidelines.
- Conformity and compliance to local and national codes is the responsibility of the installer.

NOTE: When Grab Bar dimensions are modified, a support will be added to all sections longer than 54".

Washroom Accessories
Document No. 8856

Typical Water Closet Applications:



ADA Compliant

- Consult local and national accessibility codes for proper installation guidelines.
- Conformity and compliance to local and national codes is the responsibility of the installer.

NOTE: When Grab Bar dimensions are modified, a support will be added to all sections longer than 54".

1½" O.D. heavy duty stainless steel grab bar with concealed mounting:

Product Materials

FLANGES: 3/8" dia. 13 gauge stainless steel.

ESCUTCHEONS: 22 gauge stainless steel. One-piece drawn construction with exposed surfaces in architectural satin finish. Snap over angles to conceal mounting screws.

TUBING: 1½" O.D. 18 gauge stainless steel, seamless construction with exposed surfaces in architectural satin finish. Bent ends of tubing pass thru the angles and are welded for maximum strength. Intermediate supports are contour cut and joined by welding to form an integral part of the grab bar. All exposed welds ground and polished to blend. Mandrel bending process maintains uniform bar diameter. Return provides 1½" standard safety clearance between wall and bar.

Strength

When properly mounted, all Bradley heavy duty grab bar systems meet or exceed the requirements of ANSI Standard A117.1, the ADA and ABA Accessibility Guidelines for Buildings and Facilities (ADAAG), and the Uniform Federal Accessibility Standard (UFAS). Select dimensions of configurations (-001, -054, -055, -059, and -060) are IAFMO certified to support up to 1000 pounds. (Please see Bradley's web site for more information on all grab bar configurations.)

Installation

Verify all rough-in dimensions prior to installation. Secure to wall where adequate in-wall backing exists. Use bar as template to locate mounting holes. Drill holes and set anchors as appropriate. Mount grab bar and secure mounting screws (not included). Snap escutcheons into place. For information on Bradley grab bar mounting kits, please visit bradleycorp.com.

Optional Features

Features	Suf x
Safety-grip finish	-2
High-polish finish	-4
Safety grip with high-polished finish	-7
Antimicrobial finish: 18", 24", 36" & 42' only	-AM

Guide Specification

Grab bar shall be fabricated of satin finish stainless steel with concealed mounting angles in sizes and configurations as indicated. Install with Bradley Mounting Kits as indicated.

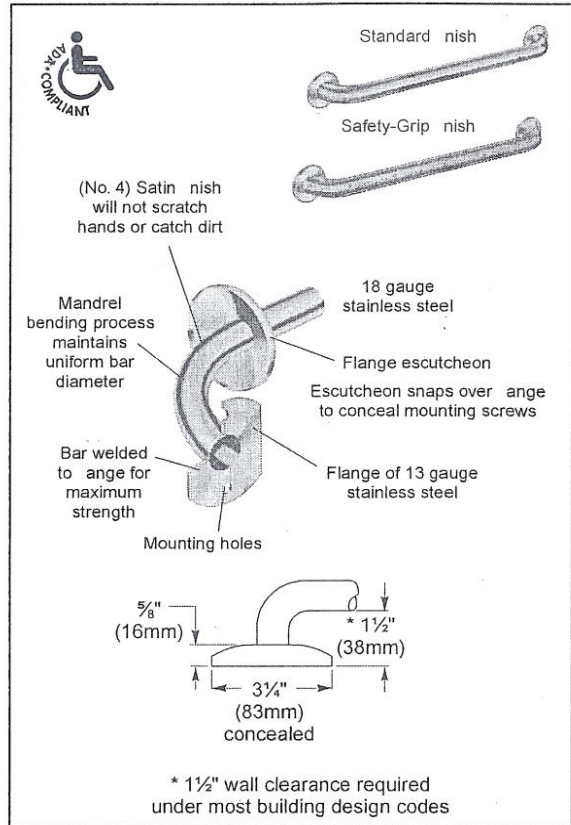
ADA Compliant

- Consult local and national accessibility codes for proper installation guidelines.
- Conformity and compliance to local and national codes is the responsibility of the installer.

Washroom Accessories
Document No. 8810

This information is subject to change without notice.

8/12/2013



Bradex® Models

Configuration Number	Shipping Data		Configuration Number	Shipping Data	
	Cu. Ft.	Wt. Lbs.		Cu. Ft.	Wt. Lbs.
001-18*	0.14	2	001-42*	0.15	4
001-24*	0.14	3	001-42*-10*	3.14	37.67
001-30'	0.15	3	001-48"	0.25	4
001-36*	0.15	3	059**	2.85	7
001-36-10*	2.40	30.46			

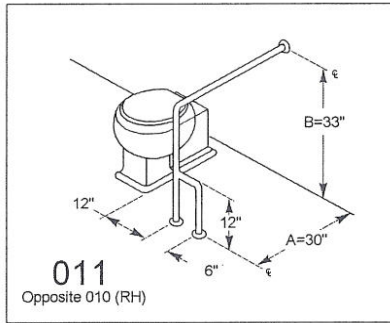
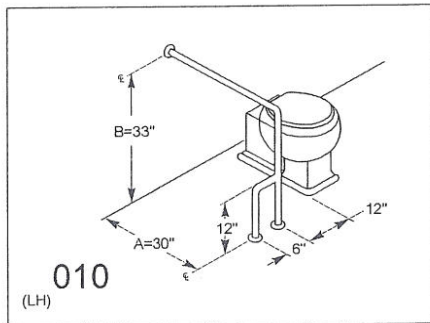
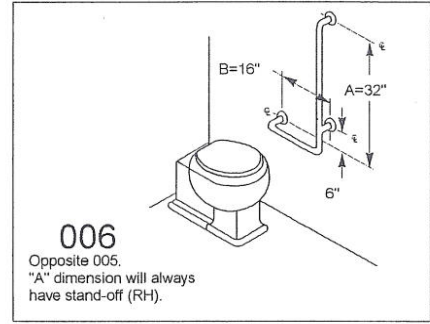
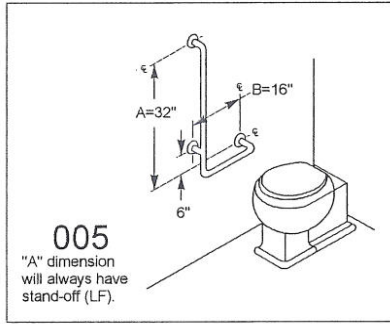
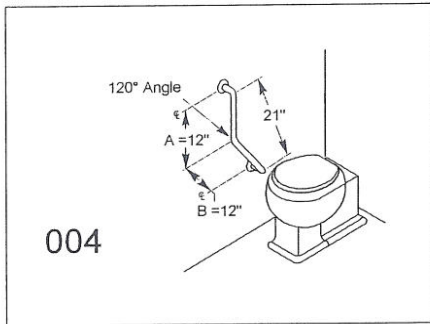
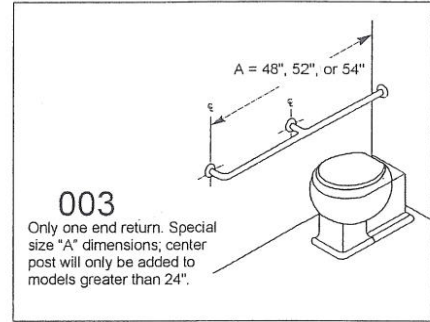
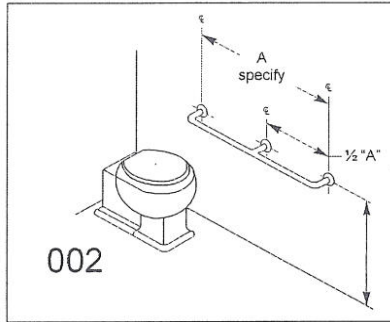
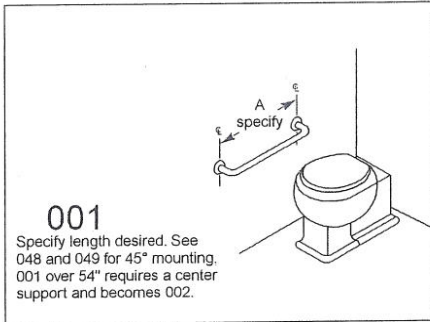
NOTE: These units must ship via common carrier.
 ** 059: 40" x 52" Standard Dimensions.
 * Indicates available Safety Grip, Bradex®

Orders composed of products indicated as Bradex® will be available to ship in three days after receipt of order at the factory. There is no pricing penalty for this service from Bradley.

© 2013 Bradley
 P.O. Box 309, Menomonee Falls, WI 53052-0309
 Phone: 800.BRADLEY (800.272.3539) Fax: 262.253.4161
bradleycorp.com

Distributor/Wholesaler: Himmel's Architectural Door	Date: 10/20/14
Project & Location: Veterans Park - Prairieville La	
Model Number: 8120-001420	Qty: 2

Typical Water Closet Applications:



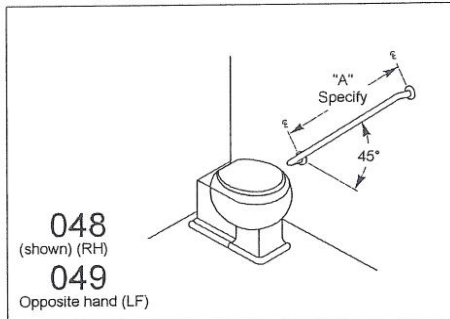
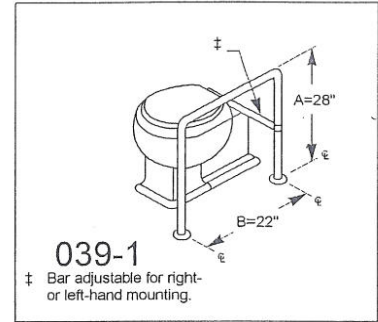
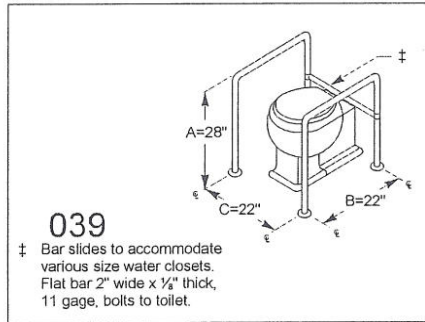
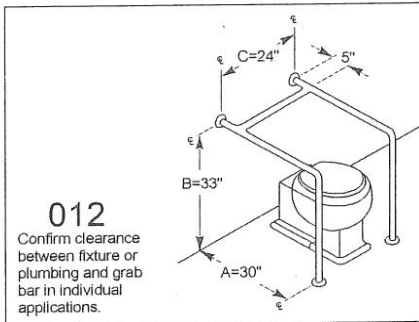
ADA Compliant

- Consult local and national accessibility codes for proper installation guidelines.
- Conformity and compliance to local and national codes is the responsibility of the installer.

NOTE: When Grab Bar dimensions are modified, a support will be added to all sections longer than 54".

Washroom Accessories
Document No. 8856

Typical Water Closet Applications:



 **ADA Compliant**

- Consult local and national accessibility codes for proper installation guidelines.
- Conformity and compliance to local and national codes is the responsibility of the installer.

NOTE: When Grab Bar dimensions are modified, a support will be added to all sections longer than 54".

Washroom Accessories
Document No. 8856

Mirror with roll-formed channel frame and theft-resistant mounting:

- Standard Model 781-1824 (18" x 24") B r a d e x[®]
- Standard Model 781-1830 (18" x 30") B r a d e x[®]
- Standard Model 781-1836 (18" x 36") B r a d e x[®]
- Standard Model 781-2430 (24" x 30") B r a d e x[®]
- Standard Model 781-2436 (24" x 36") B r a d e x[®]
- Standard Model 781-24362 (24" x 36", tempered glass) B r a d e x[®]
- Standard Model 781-2460 (24" x 60") B r a d e x[®]
- Model 781-XXXX (Specify width and height)

Product Materials

FRAME: one-piece, roll-formed stainless steel with bright annealed finish. Channel is 3/4" x 3/4" x 7/8" with 90° mitered corners. Double strength continuous integral stiffener on all sides for added strength.

BACK: galvanized steel.

MIRROR: first quality 1/4" coat glass, thermosetting infrared cured paint backing with Poly-Glaze protective finish. Manufactured in accordance with ASTM C 1036 and ASTM C 1503. All edges protected by shock-absorbing, neoprene tubing. The back of the mirror is protected by a sheet of 1/4" extruded polystyrene, which is placed between the mirror and the galvanized steel.

MOUNTING BRACKETS: 18 gauge cold rolled steel.

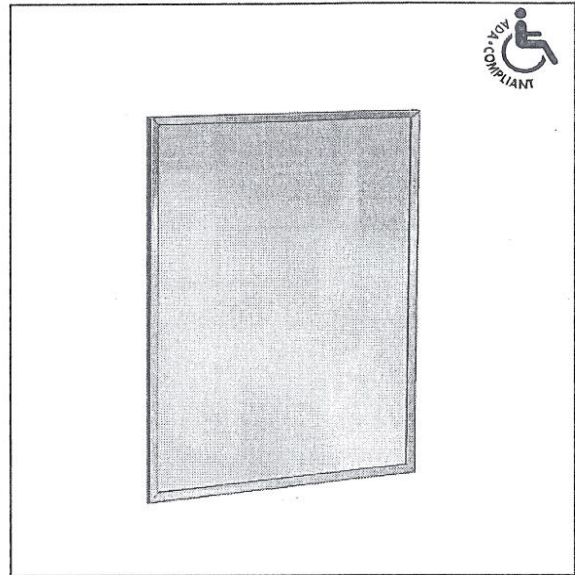
Optional Features

Features	Surf. x
1/4" tempered glass mirror in lieu of polished coat glass mirror*	-2
Laminate glass	-3
Highly polished No. 8 architectural finish, 20 gauge stainless steel in lieu of polished coat glass mirror	-4
Bright annealed 20 gauge stainless steel in lieu of polished coat glass mirror	-5
Flexiglas [®]	-6

*Either the Length (L) or the Width (W) must be greater than 25".

- An inherent characteristic of a manufacturing process for tempered glass is distortion which may vary from mirror to mirror.
- Stainless steel mirrors will differ in optic quality from glass mirrors.
- In larger sizes, stainless mirrors are subject to distortion and/or "oil canning" for which Bradley Corporation cannot accept responsibility.
- Bradley mirrors are not field interchangeable from horizontal to vertical or vice versa. Always specify width first.

Washroom Accessories
Document No. 8785



Installation

Verify all rough-in dimensions prior to installation. Secure concealed mounting bracket to wall with screws (not included) at holes provided. Mounting kits available through Bradley (ref. #899-026). For more information, visit bradleycorp.com. Provide in-wall backing at mounting screw locations. Position mirror over mounting bracket to engage hanger tabs. Slide mirror down and lock into position.

Guide Specification

Mirror shall be framed with one-piece, roll-formed stainless steel with 3/4" face and neatly mitered corners. Double-strength continuous integral stiffener on all sides. Back of unit shall be galvanized steel. Separate brackets for concealed mounting. Mirror shall be of first quality 1/4" polished coat glass, guaranteed for 15 years against silver spoilage and protected by shock-absorbing, neoprene tubing with Poly-Glaze protective finish.

Framed Mirror shall be Bradley Model 781-_____ " W x _____ " H (specify width and height).

ADA Compliant

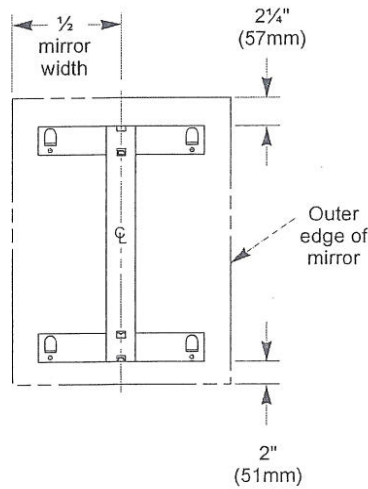
- Consult local and national accessibility codes for proper installation guidelines.
- Conformity and compliance to local and national codes is the responsibility of the installer.

Orders composed of products indicated as B r a d e x[®] will be available to ship in three days after receipt of order at the factory. There is no pricing penalty for this service from Bradley.

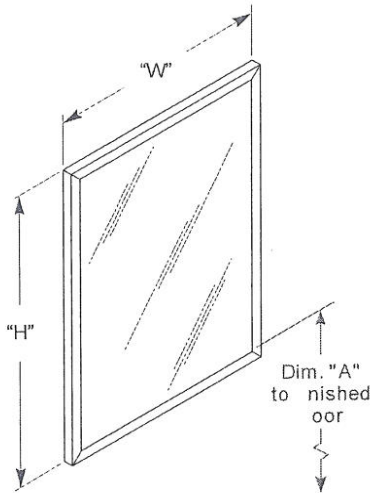
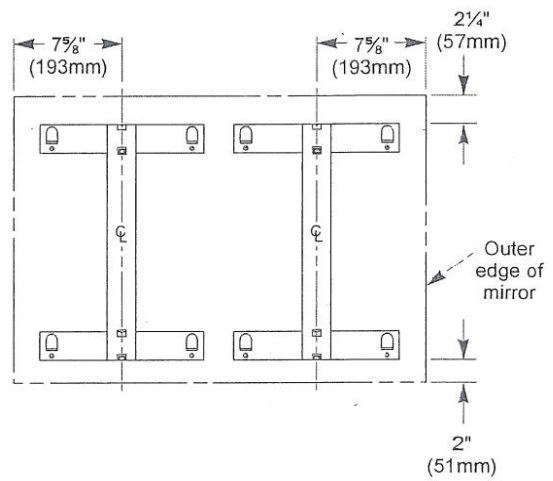
Distributor/Wholesaler: Himmel's Architectural Door	Date: 10/20/14
Project & Location: Veterans Park - Prairieville La	
Model Number: 781-024360	Qty: 4

Dimensions

MIRRORS 30" WIDE AND UNDER



MIRRORS OVER 30" WIDE



Bradex® Models

Width (Inches) W	Height (Inches) H	Overall Dimension (Inches)	Overall Dimensions (Millimeters)	Standard Model Number
18"	24"	18 x 24	457 x 610	781-1824
18"	30"	18 x 30	457 x 762	781-1830
18"	36"	18 x 36	457 x 914	781-1836
24"	30"	24 x 30	610 x 762	781-2430
24"	36"	24 x 36	610 x 914	781-2436
24"	36"	24 x 36	610 x 914	781-24362
24"	60"	24 x 60	610 x 1524	781-2460
36"	36"	36 x 36	914 x 914	781-3636

Model 781 series channel-framed mirrors can be fabricated to fit a maximum size of 120"W x 72"H.

Dim. "A" Key Surface:	For Dim. "A"	Bottom of Unit
Mirror's bottom edge of the reflecting surface to nished oor	40" (1016mm)	39 1/4" (997mm)
	37" (940mm)	36 1/4" (921mm)
	34" (864mm)	33 1/4" (845mm)
Rough wall opening:		
Surface Mount:	No rough wall opening, see overall dimensions	

Washroom Accessories
Document No. 8785

Orders composed of products indicated as Bradex® will be available to ship in three days after receipt of order at the factory. There is no pricing penalty for this service from Bradley.

Distributor/Wholesaler: Himmel's Architectural Door	Date: 10/20/14
Project & Location: Veterans Park - Prairieville La	
Model Number: 781-024360	Qty: 4

Model 5402 — Brad ex[®]

Dual Roll

Product Materials

CABINET: 22 gauge stainless steel with exposed surfaces in architectural satin finish. Welded construction with burr-free edges.

SERVICE DOOR: 22 gauge stainless steel with exposed surfaces in architectural satin finish and tumbler lock keyed like other Bradley units. Hinged at bottom.

SPINDLES: molded polyethylene.

Capacity

Two standard core toilet tissue rolls through 5" in diameter.

Operation

Cabinet holds two rolls of 4½" x 5" standard core toilet tissue, one above the other. When first roll is used up, fresh roll automatically drops down for use. Unique retaining mechanism prevents use of spare roll until first roll is completely used. Spindles non-removable by user. Hinged door permits access to storage compartment for servicing of unit.

Installation

Verify all rough-in dimensions prior to installation. Secure to wall with mounting screws (not included) at holes provided. Mounting Kit #899-027 available from Bradley. Visit www.bradleycorp.com for more information. Provide in-wall backing at mounting screw locations.

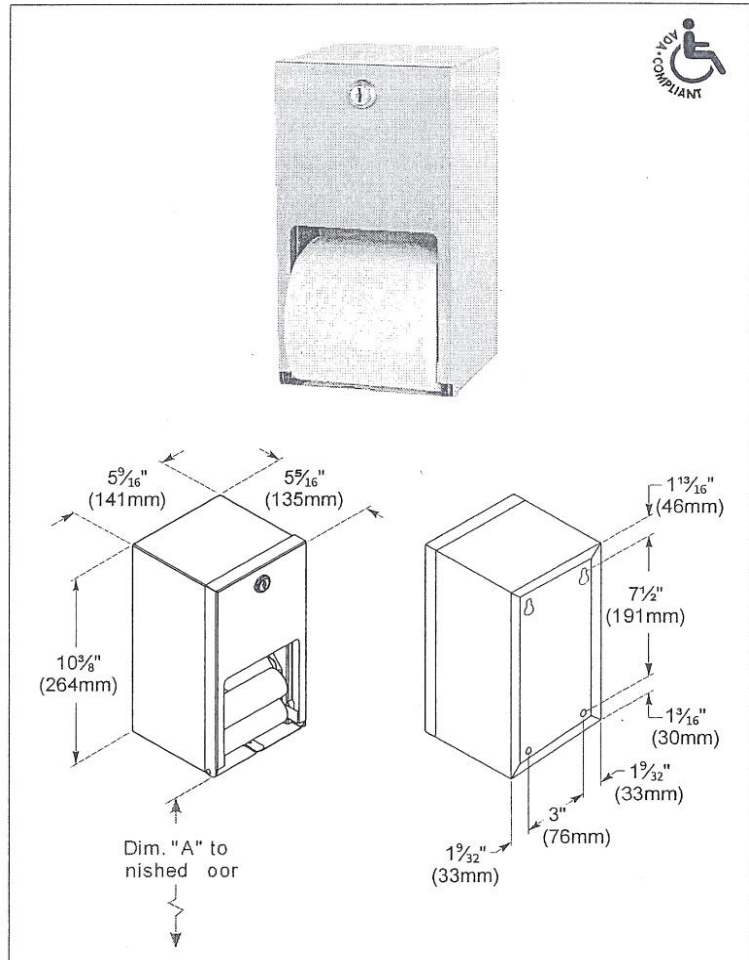
Guide Specification

Surface-mounted dual roll toilet tissue dispenser shall be heavy gauge satin finish stainless steel and hold two standard core toilet tissue rolls.

Overall dimensions: 5½"W x 10¾"H x 5½"D.

ADA Compliant

- Consult local and national accessibility codes for proper installation guidelines.
- Conformity and compliance to local and national codes is the responsibility of the installer.



Dim. "A" Key Surface:	For Dim. "A"	Top of Unit	Bottom of Unit
Bottom of toilet paper opening to nished oor	20" (508mm)	30¼" (768mm)	19¾" (505mm)
	19" (483mm)	29¼" (743mm)	18¾" (479mm)
	18" (457mm)	28¼" (718mm)	17¾" (454mm)
	17" (432mm)	27¼" (692mm)	16¾" (429mm)
	16" (406mm)	26¼" (667mm)	15¾" (403mm)
	15" (381mm)	25¼" (641mm)	14¾" (378mm)
Rough wall opening:			
Surface Mount:		No rough opening, see overall dimensions	

Washroom Accessories
Document No. 8545

Orders composed of products indicated as Brad ex[®] will be available to ship in three days after receipt of order at the factory. There is no pricing penalty for this service from Bradley. This information is subject to change without notice. 1-19-2011

© 2011 Bradley Corporation
P.O. Box 309, Menomonee Falls, WI 53052-0309
Phone: 800.BRADLEY (800.272.3539) Fax: 262.253.4161
bradleycorp.com

Distributor/Wholesaler: Himmel's Architectural Door	Date: 10/20/14
Project & Location: Veterans Park - Prairieville La	
Model Number: 5402-000000	Qty: 4

Model A Hand Dryer

Most Durable Standard Push-Button Hand Dryer



WORLD DRYER

World Model A hand dryer is "the standard" hand dryer with the longest motor life and the best washroom solution for all high traffic applications.

Product Benefits

- 30 second drying time
- Longest life of all dryers
- Lowest sound level
- Durable and vandal resistant
- Classic style design



Design Features

Dryer

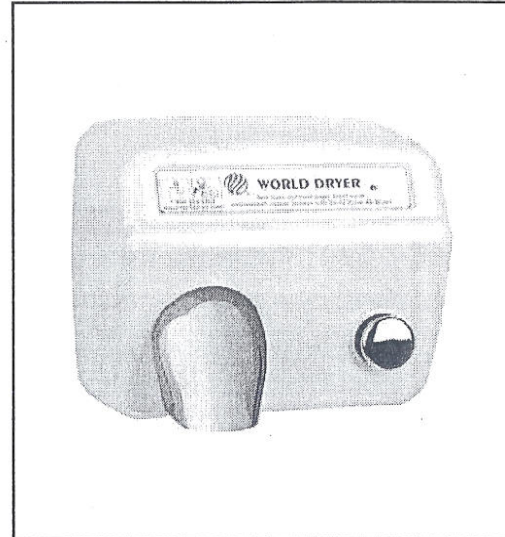
- Activated by electro-mechanical timer with 25 Amp switch
- 30 second drying cycle
- Incorporates a 2100 (optional 1500) watt Nichrome wire heating element Protected by an automatic-resetting, thermal cutoff
- Provides a 70 °F temperature rise
- IPX1 ingress protection

Motor

- Thermally-protected, universal brush-type motor operating at 7,500 RPM
- Delivering 200 CFM air flow at a velocity of 7,300 LFM

Materials

- Cover material: Cast Iron with porcelain enamel finish. Optional 14GA polished or brushed finish #304S.S. or epoxy enamel finish C.R. Steel.
- The wall-mounted base is constructed of die-cast aluminum
- The nozzle is constructed of die-cast zinc alloy finished in bright chrome



Architecture & Engineering Specifications

World Dryer Model A hand dryers shall include a cover made of 1/4" thick cast iron with porcelain enamel finish. Optional 14GA polished or brushed finish #304S.S. or epoxy enamel finish C.R. Steel. Motor shall be universal type, 1/10 HP at 7500 RPM. Dryers shall deliver 200 cubic feet per minute of air volume (7300 LFM). Timer shall be electro-mechanical cam-style with 25 AMP rated switch to operate dryer for 30 second period. Hand dryers shall be listed under reexamination service of Underwriters Laboratories, Inc.

Model A Product Specifications

Electrical

	115 V	115 V	208 - 230 V	220 - 240 V	277 V
Amps	20	15	10	10	8.5
Watts	2300	1725	2300	2300	2300
Hz	60	60	60	50	60

Unit Size (HxWxD) inch/mm -

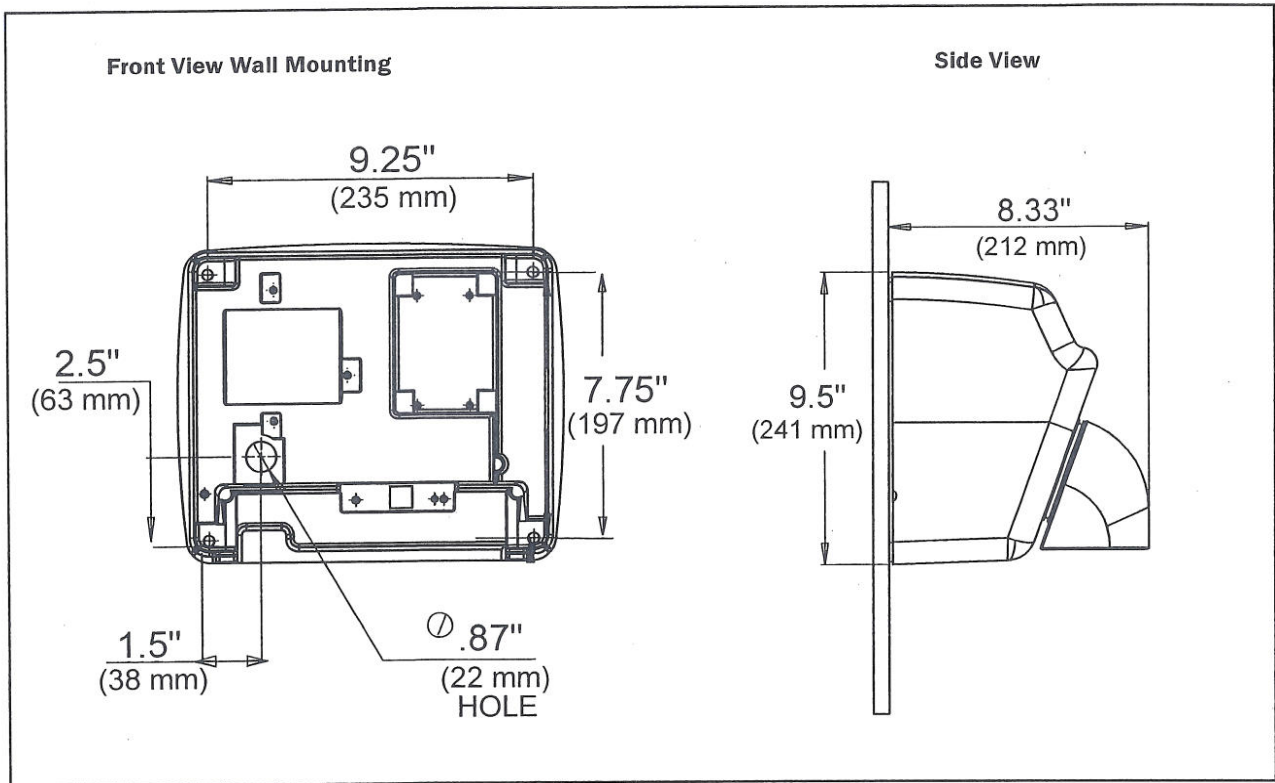
9.5" x 11.3" x 8.3" 241 mm x 287 mm x 211 mm

Shipping Size (HxWxD) inch/mm

12.5" x 14.4" x 10.1" 317 mm x 366 mm x 256 mm

Stock #	Cover Finish	Cover Material	Electrical	Unit Weight
A5-974	White	Cast Iron	115 V (20 Amp)	29 lbs/13.15 kgs
A52-974	White	Cast Iron	115 V (15 Amp)	29 lbs/13.15 kgs
A54-974	White	Cast Iron	208 - 230V	29 lbs/13.15 kgs
A548-974	White	Cast Iron	220 - 240 V	29 lbs/13.15 kgs
A57-974	White	Cast Iron	277 V	29 lbs/13.15 kgs
DA5-974	White	Stamped Steel	115 V (20 Amp)	18 lbs/8.16 kgs
DA52-974	White	Stamped Steel	115 V (15 Amp)	18 lbs/8.16 kgs
DA54-974	White	Stamped Steel	208 - 230V	18 lbs/8.16 kgs
DA548-974	White	Stamped Steel	220 - 240 V	18 lbs/8.16 kgs
DA57-974	White	Stamped Steel	277 V	18 lbs/8.16 kgs

Stock #	Cover Finish	Cover Material	Electrical	Unit Weight
DA5-972	Polished	Stainless Steel	115 V (20 Amp)	18 lbs/8.16 kgs
DA52-972	Polished	Stainless Steel	115 V (15 Amp)	18 lbs/8.16 kgs
DA54-972	Polished	Stainless Steel	208 - 230V	18 lbs/8.16 kgs
DA548-972	Polished	Stainless Steel	220 - 240 V	18 lbs/8.16 kgs
DA57-972	Polished	Stainless Steel	277 V	18 lbs/8.16 kgs
DA5-973	Brushed	Stainless Steel	115 V (20 Amp)	18 lbs/8.16 kgs
DA52-973	Brushed	Stainless Steel	115 V (15 Amp)	18 lbs/8.16 kgs
DA54-973	Brushed	Stainless Steel	208 - 230V	18 lbs/8.16 kgs
DA548-973	Brushed	Stainless Steel	220 - 240 V	18 lbs/8.16 kgs
DA57-973	Brushed	Stainless Steel	277 V	18 lbs/8.16 kgs



Placement Instruction

- Hand dryers should be spaced at least 2' apart, near but not over the wash basin
- In congested areas, dryers should be located to create a flow from wash basin to dryer to exit
- Dryer Quantity Recommendation:
 Average Traffic: 1 dryer per 2 wash basins
 Heavy Traffic: 1 dryer per wash basin
 Industrial 54" Circular wash fountains: 4 dryers per sink
- Recommended mounting heights from floor to dryer bottom edge

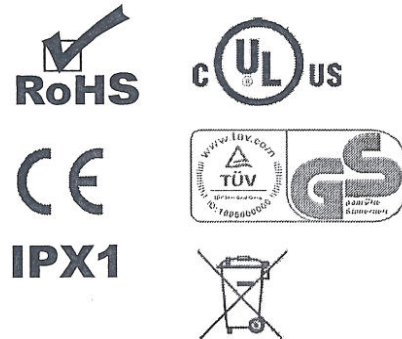
Men's washrooms	46" (117 cm)
Women's washrooms	44" (112 cm)
Children's washrooms, ages 4-7	32" (81 cm)
Children's washrooms, ages 7-10	36" (91 cm)
Children's washrooms, ages 10-13	40" (102 cm)
Children's washrooms, ages 13-17	44" (112 cm)
Handicap Mounting Height	37" (94 cm)

Measured from floor to the bottom of the unit.

Installation Guide

- Model A hand dryers require a dedicated 20 AMP circuit and must be properly grounded
- GFI circuit protection is recommended.
- One side of dryer should be mounted to a stud

Certification Approved



Warranty



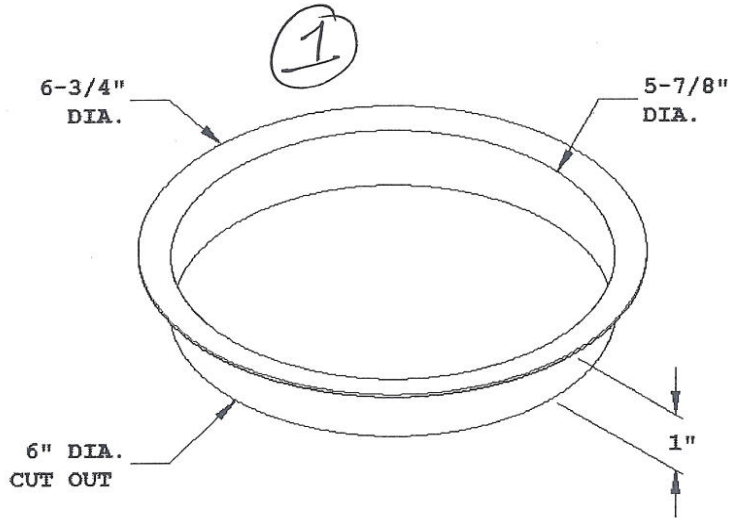
10 year limited warranty



5700 McDermott Drive
 Berkeley, IL 60163 U.S.A.
 800-323-0701
 www.worlddryer.com

TM1/PLASTIC

Color: Black



NOTE:
ALL DIMENSIONS HAVE A (+/-) 1/16" TOLERANCE UNLESS OTHERWISE SPECIFIED. WE DON'T RECOMMEND DRILLING OR CUTTING ANY HOLES BEFORE RECEIVING A PRODUCT OR A PRODUCT SAMPLE.

Fire Extinguishers

1 ea

10lb ABC Fire Extinguisher

J.L. Industries

SUBMITTAL: FIRE EXTINGUISHERS

All units meet the current requirements established by the National Fire Protection Association (NFPA) for NFPA10 (2013 version) "Standard for Portable Fire Extinguishers", and any other applicable NFPA standards. All units UL listed for US and Canada and meet local and national OSHA requirements for fire extinguishers.

GRENADIER EXTINGUISHERS - PRESSURIZED WATER

Pressurized Water Extinguishers for Class "A" Fires. The "water press" extinguisher contains water and compressed air. Units shipped empty.

Operation: Squeeze the lever, which opens the valve, allowing the water to be forced out. Upright squeeze grip operation.

Construction: But-welded 304-L stainless steel cylinder (eliminates all internal and external crevices). Rugged stainless steel discharge lever and fixed carry handle with visual pressure gauge, pull pin. Heavy-duty, brass, chrome-plated valve body with replaceable molded valve stem seal. UL labeled chemical engine hose.

CLASS A Fires

COSMIC & 495 EXTINGUISHERS - MULTI PURPOSE CHEMICAL

These units contain specially fluidized and silicized mono ammonium phosphate powder, which smothers and breaks the chain reaction on Class B fires, fuses and insulates Class A fires and is a non-conductor of electricity. Non-toxic.

Operation: Squeeze the lever, which opens the valve, allowing the chemical to be forced out. Upright squeeze grip operation approved to -65°F (-52°C).

Construction: Heavy-duty steel cylinder with rugged metal valve and siphon tube with replaceable molded valve stem seal, visual pressure gauge, pull pin and upright squeeze grip. Corrosion and impact-resistant powder coat finish.

CLASS A,B,C Fires

SENTINEL EXTINGUISHERS - CARBON DIOXIDE

This extinguisher contains liquid carbon dioxide under pressure.

Operation: Squeeze the lever, which opens the valve, allowing the carbon dioxide to be forced out. The discharge, which changes into a gas and appears as a smothering cloud of white snow, is then directed to the fire through a funnel-shaped horn. Electrically non-conductive.

Construction: Lightweight, high-pressure, aluminum cylinder with O-ring seal and straight thread brass valve fits all sizes. The Sentinel is absolutely rust-free and up to 30% lighter than CO2 units with steel cylinders.

CLASS B,C Fires

270 & 272 - WATER MIST EXTINGUISHER

The water mist extinguisher is ideal for Class A fires where a potential Class C (electrical) hazard exists. Units shipped empty.

Operation: The unique misting nozzle provides safety from electrical shock, making this extinguisher ideal for use in telecommunications and cleanroom environments.

Construction: Non-magnetic cylinder and misting nozzle. For use in medical facilities.

CLASS A,C Fires

GALAXY & 496 EXTINGUISHERS - REGULAR DRY CHEMICAL

These models contain a silicized sodium bicarbonate base, the traditional dry chemical. Cleanup after use is generally easy, because the chemical does not normally bake to a hot metal surface. Non-toxic.

Operation: Squeeze the lever, which opens the valve, allowing the chemical to be forced out. Upright squeeze grip operation approved to -65°F (-52°C).

Construction: Heavy-duty steel cylinder with rugged metal valve and siphon tube with replaceable valve stem seal, visual pressure gauge pull pin and upright squeeze grip.

CLASS B,C Fires

MERCURY EXTINGUISHERS - HALOTRON AGENT

This model contains the clean extinguishing agent Halotron® 1, which is EPA-approved, government-accepted and specified. This agent discharges as a liquid, then quickly evaporates, leaving no residue to clean up afterwards. U.S. FAA-approved for use in airports. NFPA-10 rating. Electrically non-conductive.

Operation: Squeeze the lever, which opens the valve, allowing the chemical to be forced out. Temperature range from -40°F to +120°F.

Construction: Drum steel cylinder with steel siphon tubes, power cone discharge stream, upright squeeze grip visual pressure gauge and corrosion-resistant paint finish. Models 2-1/2 & 5 have aluminum valves, models CLASS A,B,C Fires





SATURN EXTINGUISHERS - CLASS K WET CHEMICAL

These units are ideal for commercial restaurant applications as a portable supplement to pre-engineered suppression systems. A low "pH" potassium acetate solution is discharged in a fine mist that provides excellent range while preventing splashing and creating an effective saponification foam-type blanket necessary for suppressing liquid cooking media fires.

Operation: Squeeze the lever, which opens the valve, allowing the chemical to be forced out.

Construction: Stainless steel cylinder with protective nozzle tip orifice seal and non-metallic nozzle tip finger guard. Industry standard horn and nozzle design.

CLASS K Fires

	
CLASS A FIRES - PAPER, WOOD, CLOTH, ETC., WHERE EXTINGUISHING BY WATER OR INSULATING BY DRY CHEMICAL IS EFFECTIVE.	CLASS B FIRES - FLAMMABLE LIQUIDS, WHERE SMOTHERING ACTION IS REQUIRED.
	
CLASS C FIRES - LIVE ELECTRICAL EQUIPMENT WHERE THE NON-CONDUCTIVITY OF EXTINGUISHERANT IS VITAL.	CLASS K FIRES - CALL JL INDUSTRIES FOR MORE INFORMATION.



JL INDUSTRIES

SUBMITTAL: FIRE EXTINGUISHERS

Qty	Model	Nominal Capacity	Shipping Weight	Cylinder Diameter	Overall Height	Overall Width	Shipping Volume	UL Rating ⁽¹⁾	Optional Mark Bracket	USCG Approved
	Grenadier-P	2-1/2 gal.	7.75 lbs. «	7"	24-1/2"	9"	1.1 cu.ft.	2A	MB810	YES
	Cosmic 2-1/2E*	2-1/2 lbs.	5.5 lbs.	3-3/8"	15-1/2"	5-3/4"	.2 cu.ft.	1A-10BC	MB817C or MB817A*	YES
	Cosmic 5E	5 lbs.	10 lbs.	4-1/4"	16-3/8"	7-1/4"	.35 cu.ft.	3A-40BC	MB818C	YES
	Cosmic 6E	6 lbs.	12.75 lbs.	5"	16"	7-3/4"	.5 cu.ft.	3A-40BC	MB808A	YES
1	Cosmic 10E	10 lbs.	18.25 lbs.	5-1/8"	21"	7-3/4"	.65 cu.ft.	4A-80BC	MB846C or MB846A	YES
	Cosmic 20E (FE20C)	20 lbs.	33.5 lbs.	7-1/2"	21-1/4"	8-3/4"	1.0 cu.ft.	10A-120BC	MB811C	YES
	Cosmic 20E (FE20A)	20 lbs.	38 lbs.	7"	24"	10-1/4"	1.0 cu.ft.	10A-120BC	MB810A	YES
	Cosmic 495	50 lbs.								
	Sentinel 5	5 lbs.	14 lbs.	5-1/4"	17-3/4"	8-1/4"	.65 cu.ft.	5BC	MB809C or MB809A	YES
	Sentinel 10	10 lbs.	28.25 lbs.	7"	24"	12"	1.3 cu.ft.	10BC	MB810C or MB810A	YES
	Sentinel 15	15 lbs.	37.75 lbs.	7"	30"	12"	1.0 cu.ft.	10BC	MB810C or MB864A	YES
	Sentinel 20	20 lbs.	50.75 lbs.	8"	30"	13"	2.1 cu.ft.	10BC	MB811C or MB811A	YES
	Galaxy 2-1/2*	2-1/2 lbs.	5/5 lbs.	3-3/8"	15-1/2"	5-3/4"	.2 cu.ft.	10BC	MB817C or MB817A*	YES
	Galaxy 5	5 lbs.	9.25 lbs.	4-1/4"	15-1/4"	5-1/2"	.35 cu.ft.	10BC	MB818A	YES
	Galaxy 5-1/2	5-1/2 lbs.	10.5 lbs.	4-1/4"	16-3/8"	7-1/4"	.4 cu.ft.	40BC	MB818C or MB818A	YES
	Galaxy 6	6 lbs.	13.75 lbs.	5"	16-1/4"	8-1/2"	.5 cu.ft.	40BC	MB808A	YES
	Galaxy 10 (FG10C)	10 lbs.	18.25 lbs.	5-1/8"	21"	7-3/4"	.65 cu.ft.	40BC	MB846C	YES
	Galaxy 10 (FG10A)	10 lbs.	18 lbs.	5"	20"	7-3/4"	.65 cu.ft.	60BC	MB846A	YES
	Galaxy 20	20 lbs.	38 lbs.	7-1/2"	23-1/4"	10-1/4"	1.0 cu.ft.	120BC	MB810C or MB810A	YES
	Galaxy 496	50 lbs.								
	Mercury 2-1/2*	2-1/2 lbs	5.25 lbs	3-3/8"	15-1/2"	6-3/8"	.25 cu.ft.	2BC	MB817C or MB817A*	N/A
	Mercury 5	5 lbs	9.5 lbs	4-1/4"	16-3/8"	7-1/4"	.3 cu.ft.	5BC	MB818C or MB818A	YES
	Mercury 11 (FM11C)	11 lbs	21.25 lbs	7"	17-1/2"	8-5/8"	1.0 cu.ft.	1A-10BC	MB810C	YES
	Mercury 11 (FM11A)	11 lbs	22.5 lbs	6"	21-7/8"	9-1/4"	1.0 cu.ft.	1A-10BC	MB812A	YES
	Mercury 15-1/2 (FM15C)	15-1/2 lbs	25.75 lbs	7"	17-1/2"	8-5/8"	1.0 cu.ft.	2A-10BC	MB810C	YES
	Mercury 15-1/2 (FM15A)	15-1/2 lbs	27.5 lbs	6"	21-7/8"	9-1/4"	1.0 cu.ft.	2A-10BC	MB812A	YES
	Saturn 15	1.8 gal	22.5 lbs	7"	19-1/4"	9"	.9 cu.ft.	Class K	MB810C or MB810A	-
	Saturn 25	2.5 gal	33.5 lbs.	7"	24-1/2"	9"	1.1 cu.ft.	Class K	MB810C or MB810A	-
	270	1.75 gal	7 lbs. «	7"	24-1/2"	11"	1.1 cu. ft.	2AC	MB	-
	272	2.5 gal	8 lbs. «	7"	27-1/2"	11"	1.3 cu.ft.	2AC	MB810NM	-

* INDICATES MARK BRACKET STANDARD. J HOOK WALL BRACKET STANDARD WITH ALL OTHER EXTINGUISHERS.

«LL extinguishers are shipped fully charged with the exception of the Grenadier P, 270 & 272. Note: NFPA regulations also require extinguishers to be inspected when initially placed in service and all local fire code and tagging requirements must be adhered to. All fire extinguisher sizes are nominal. Contact Customer Service For More Information About Ordering Tagged Extinguishers in Your Area.



ACTIVAR
INC.
Construction Products Group
www.activarcp.com

Distributor: Himmels	Quantity: (1)
Contractor: FMA Inc	Approved By:
Model #: Cosmic 10E	Architect:
Project: Veterans Park	Date: 10/24/2014

HEADQUARTERS: 4450 WEST 78TH ST CIRCLE, BLOOMINGTON, MN 55435-5416 PH: 800-554-6077 FAX: 952-835-2218 EMAIL: SALES@ACTIVARCPG.COM WWW.ACTIVARCPG.COM
ACPG SOUTHEAST (THOMAS ENTERPRISES): FT WYERS, FL ACPG WEST COAST (SAMSON): COMMERCE - CA, WAREHOUSES: PA, TX, GA, IL, WA 8/18/14

Model A Hand Dryer

Most Durable Standard Push-Button Hand Dryer



WORLD DRYER

World Model A hand dryer is "the standard" hand dryer with the longest motor life and the best washroom solution for all high traffic applications.

Product Benefits

- 30 second drying time
- Longest life of all dryers
- Lowest sound level
- Durable and vandal resistant
- Classic style design

Design Features

Dryer

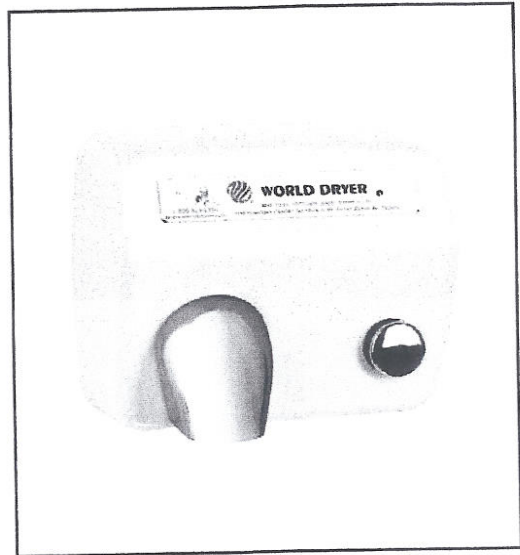
- Activated by electro-mechanical timer with 25 Amp switch
- 30 second drying cycle
- Incorporates a 2100 (optional 1500) watt Nichrome wire heating element Protected by an automatic-resetting, thermal cutoff
- Provides a 70°F temperature rise
- IPX1 ingress protection

Motor

- Thermally-protected, universal brush-type motor operating at 7,500 RPM
- Delivering 200 CFM air flow at a velocity of 7,300 LFM

Materials

- Cover material: Cast Iron with porcelain enamel finish. Optional 14GA polished or brushed finish #304S.S. or epoxy enamel finish C.R. Steel.
- The wall-mounted base is constructed of die-cast aluminum
- The nozzle is constructed of die-cast zinc alloy finished in bright chrome



Architecture & Engineering Specifications

World Dryer Model A hand dryers shall include a cover made of 1/4" thick cast iron with porcelain enamel finish. Optional 14GA polished or brushed finish #304S.S. or epoxy enamel finish C.R. Steel. Motor shall be universal type, 1/10 HP at 7500 RPM. Dryers shall deliver 200 cubic feet per minute of air volume (7300 LFM). Timer shall be electro-mechanical cam-style with 25 AMP rated switch to operate dryer for 30 second period. Hand dryers shall be listed under reexamination service of Underwriters Laboratories, Inc.

Model A Product Specifications

Electrical

	115 V	115 V	208 - 230 V	220 - 240 V	277 V
Amps	20	15	10	10	8.5
Watts	2300	1725	2300	2300	2300
Hz	60	60	60	50	60

Unit Size (HxWxD) inch/mm -

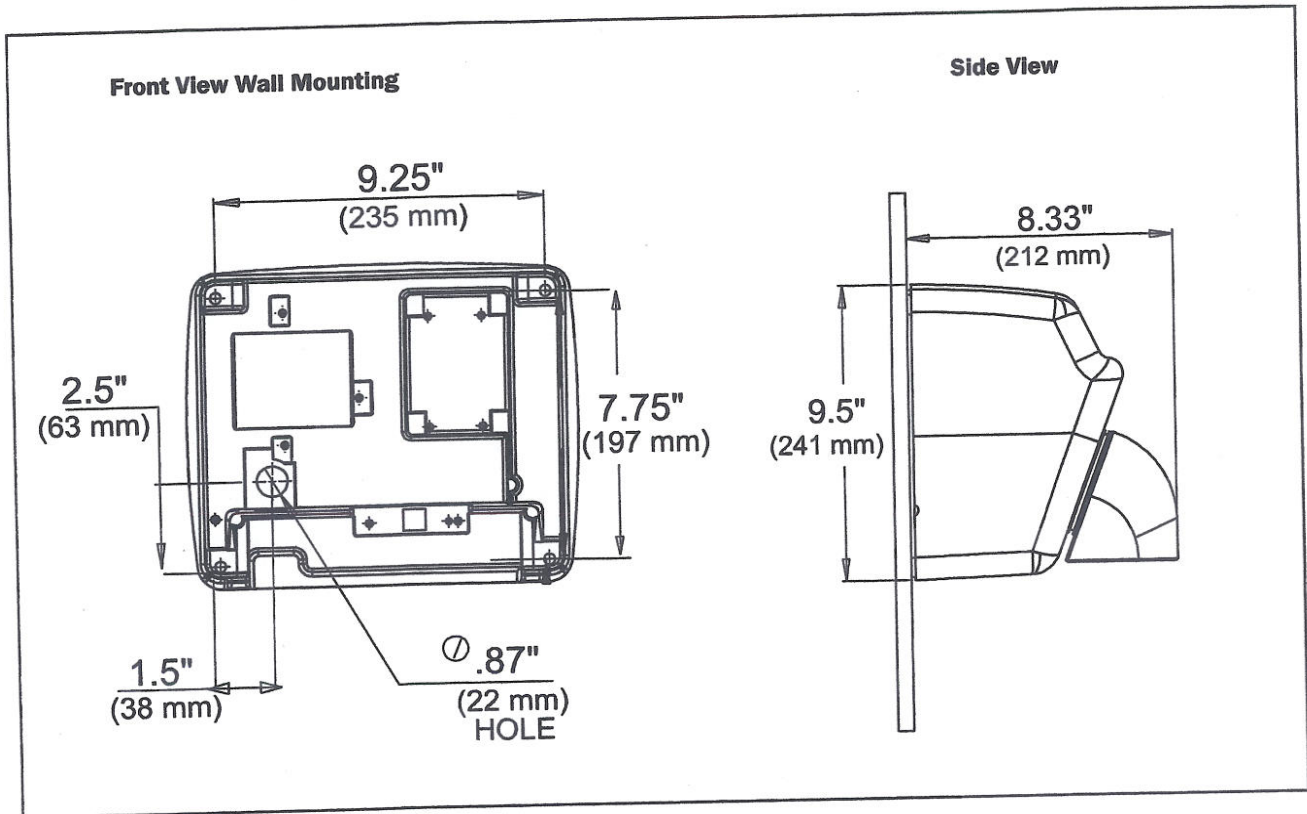
9.5" x 11.3" x 8.3" 241 mm x 287 mm x 211 mm

Shipping Size (HxWxD) inch/mm

12.5" x 14.4" x 10.1" 317 mm x 366 mm x 256 mm

Stock #	Cover Finish	Cover Material	Electrical	Unit Weight
A5-974	White	Cast Iron	115 V (20 Amp)	29 lbs/13.15 kgs
A52-974	White	Cast Iron	115 V (15 Amp)	29 lbs/13.15 kgs
A54-974	White	Cast Iron	208 - 230V	29 lbs/13.15 kgs
A548-974	White	Cast Iron	220 - 240 V	29 lbs/13.15 kgs
A57-974	White	Cast Iron	277 V	29 lbs/13.15 kgs
DA5-974	White	Stamped Steel	115 V (20 Amp)	18 lbs/8.16 kgs
DA52-974	White	Stamped Steel	115 V (15 Amp)	18 lbs/8.16 kgs
DA54-974	White	Stamped Steel	208 - 230V	18 lbs/8.16 kgs
DA548-974	White	Stamped Steel	220 - 240 V	18 lbs/8.16 kgs
DA57-974	White	Stamped Steel	277 V	18 lbs/8.16 kgs

Stock #	Cover Finish	Cover Material	Electrical	Unit Weight
DA5-972	Polished	Stainless Steel	115 V (20 Amp)	18 lbs/8.16 kgs
DA52-972	Polished	Stainless Steel	115 V (15 Amp)	18 lbs/8.16 kgs
DA54-972	Polished	Stainless Steel	208 - 230V	18 lbs/8.16 kgs
DA548-972	Polished	Stainless Steel	220 - 240 V	18 lbs/8.16 kgs
DA57-972	Polished	Stainless Steel	277 V	18 lbs/8.16 kgs
DA5-973	Brushed	Stainless Steel	115 V (20 Amp)	18 lbs/8.16 kgs
DA52-973	Brushed	Stainless Steel	115 V (15 Amp)	18 lbs/8.16 kgs
DA54-973	Brushed	Stainless Steel	208 - 230V	18 lbs/8.16 kgs
DA548-973	Brushed	Stainless Steel	220 - 240 V	18 lbs/8.16 kgs
DA57-973	Brushed	Stainless Steel	277 V	18 lbs/8.16 kgs



Placement Instruction

- Hand dryers should be spaced at least 2' apart, near but not over the wash basin
- In congested areas, dryers should be located to create a flow from wash basin to dryer to exit
- Dryer Quantity Recommendation:
Average Traffic: 1 dryer per 2 wash basins
Heavy Traffic: 1 dryer per wash basin
Industrial 54" Circular wash fountains: 4 dryers per sink
- Recommended mounting heights from floor to dryer bottom edge

Men's washrooms	46" (117 cm)
Women's washrooms	44" (112 cm)
Children's washrooms, ages 4-7	32" (81 cm)
Children's washrooms, ages 7-10	36" (91 cm)
Children's washrooms, ages 10-13	40" (102 cm)
Children's washrooms, ages 13-17	44" (112 cm)
Handicap Mounting Height	37" (94 cm)

Measured from floor to the bottom of the unit.

Installation Guide

- Model A hand dryers require a dedicated 20 AMP circuit and must be properly grounded
- GFI circuit protection is recommended.
- One side of dryer should be mounted to a stud

Certification Approved



Warranty



10 year limited warranty



5700 McDermott Drive
Berkeley, IL 60163 U.S.A.
800-323-0701
www.worlddryer.com