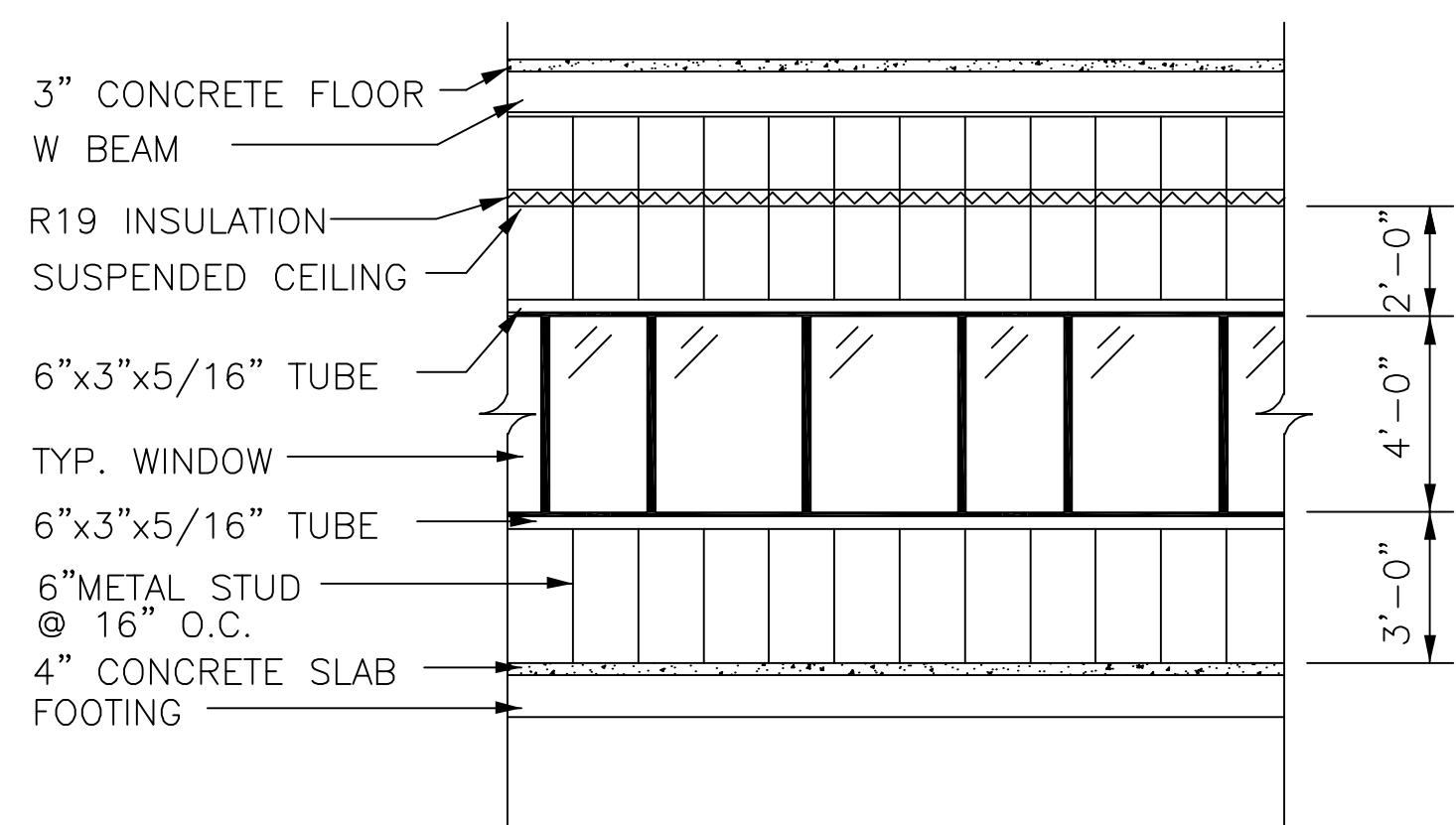
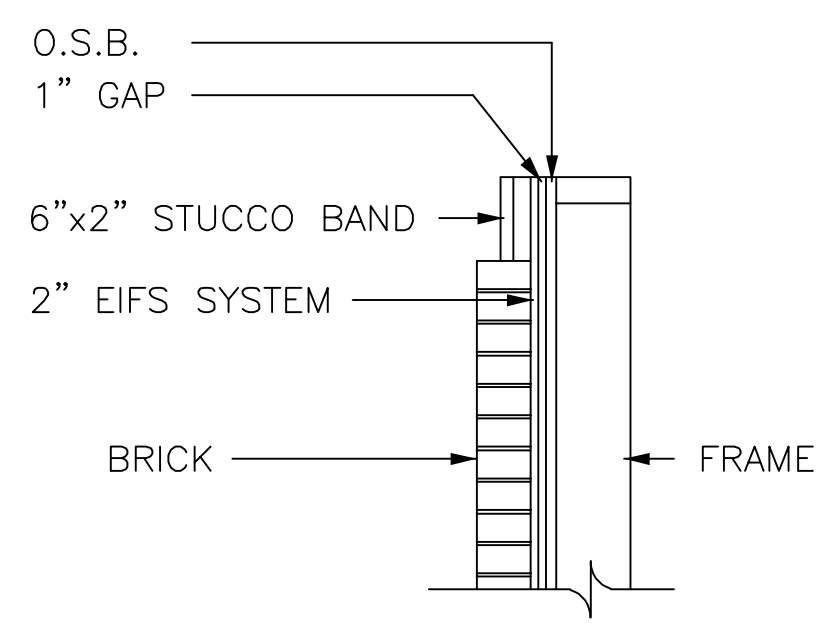


NOTE: ELEVATIONS USED ARE MSL.

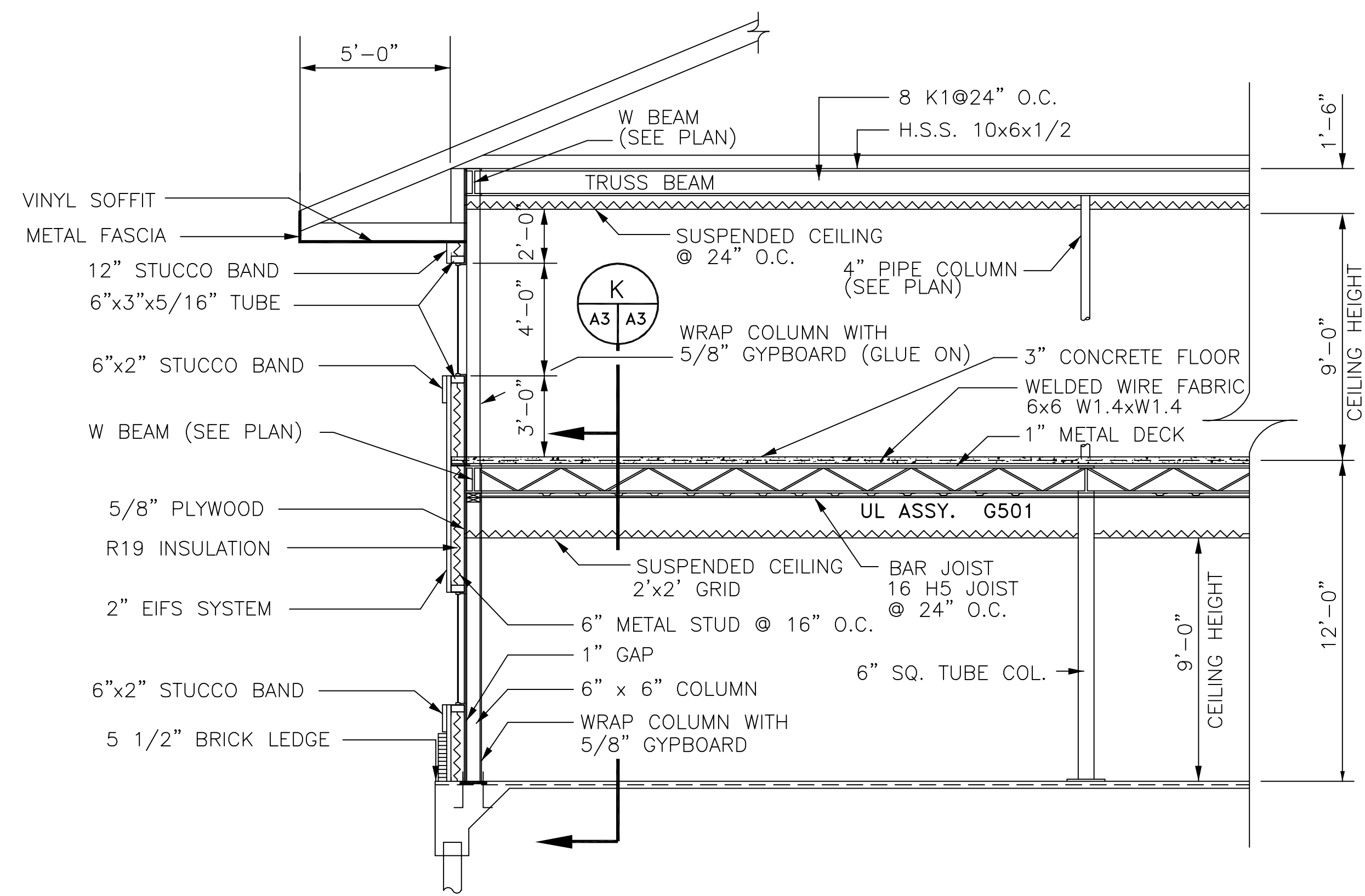
TYP. WALL SECTION @ BRICK COLUMN H
A1 A3
SCALE: 1/4"=1'-0"



TYP. WINDOW FRAMING K
A3 A3
SCALE: 1/4"=1'-0"



DETAIL 3
A3 A3
N.T.S.



NOTE: ADD 2 LAYERS 5/8" GYP. BRD. 10' EA. SIDE OF REAR DOORS. WINDOWS TO HAVE WIRE GLASS.

TYP. WALL SECTION @ STUCCO WALL J
A2 A3
SCALE: 1/4"=1'-0"

SECTIONS/DETAILS
ABEK REAL ESTATE
OAK HARBOR DR.
SLIDELL, LOUISIANA

ABEK REAL ESTATE
DAMMON ENGINEERING, INC.
ARCHITECTS - ENGINEERS
2000 OLD SPANISH TRAIL, SUITE 100, 985-649-5832, SLIDELL, LA. 70458
DAMMONENGINEERING.COM

SCALE: AS NOTED
FILE:
JOB NO. 1489
DATE: 2-21-03
SHEET

A-3
OF

REVISED 2/21/03