

Ordering Information

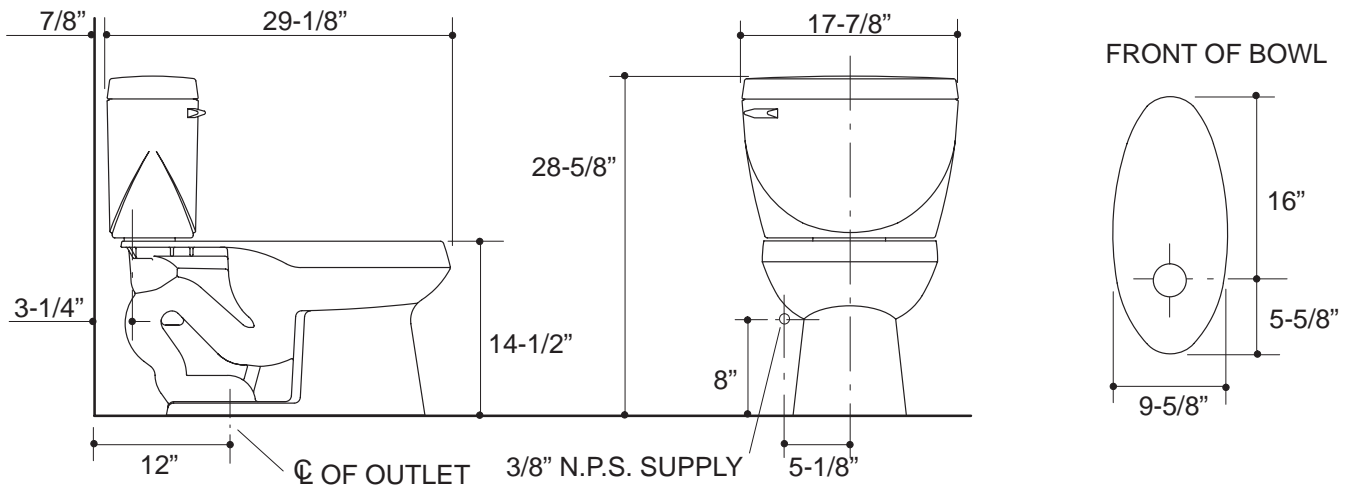
Applicable toilet:		
With standard tank	K-3479	shown
With insuliner tank	K-3479-U	not shown
Accessories/hardware:		
3/8" supply	K-7637	recommended
Floor bolts (pr.)	21401	recommended
Seat, French Curve	K-4653	recommended

Product Information

Fixture:	
Configuration	2-piece, elongated
Gallons per flush	1.6 gallons
Passageway	2"
Water area	10-3/4" x 9"
Water depth from rim	6"
Seat post hole centers	5-1/2"
Included Components:	
Bowl	K-4276
Tank	K-4605
Tank cover	85314
Trip lever	K-9408

Roughing-In Notes

Fixture dimensions are nominal and conform to tolerances in ASME Standard A112.19.2M.



116