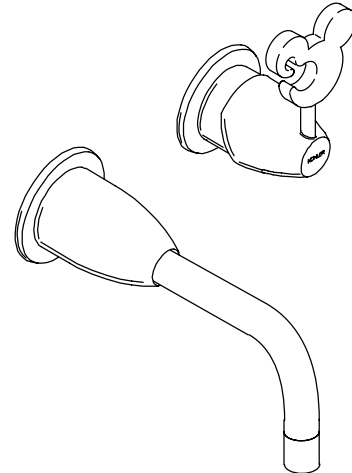


**FAUCET  
K-T195-9**

**ALSO K-T197-9, K-T199-9, K-307-K**

**ADA**



**FEATURES**

- Brass construction
- Available with 6", 9", or 12" spout
- 2.2 gallons per minute
- ©Disney lever handle

**CODES/STANDARDS APPLICABLE**

Specified model meets or exceeds the following:

- ASME/ANSI A112.18.1M
- CSA B125
- Energy Policy Act of 1992
- IAPMO/UPC
- NSF 61

**COLORS/FINISHES**

- Other Refer to Faucets Price Book for additional finishes

**SPECIFIED MODEL:**

Model	Description	
K-T195-9	With 6" Spout	Other _____
K-T197-9	With 9" Spout	Other _____
K-T199-9	With 12" Spout	Other _____

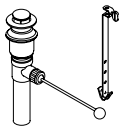



Required Accessory		
K-307-K	Wall-Mount Valve	<input type="checkbox"/> NA

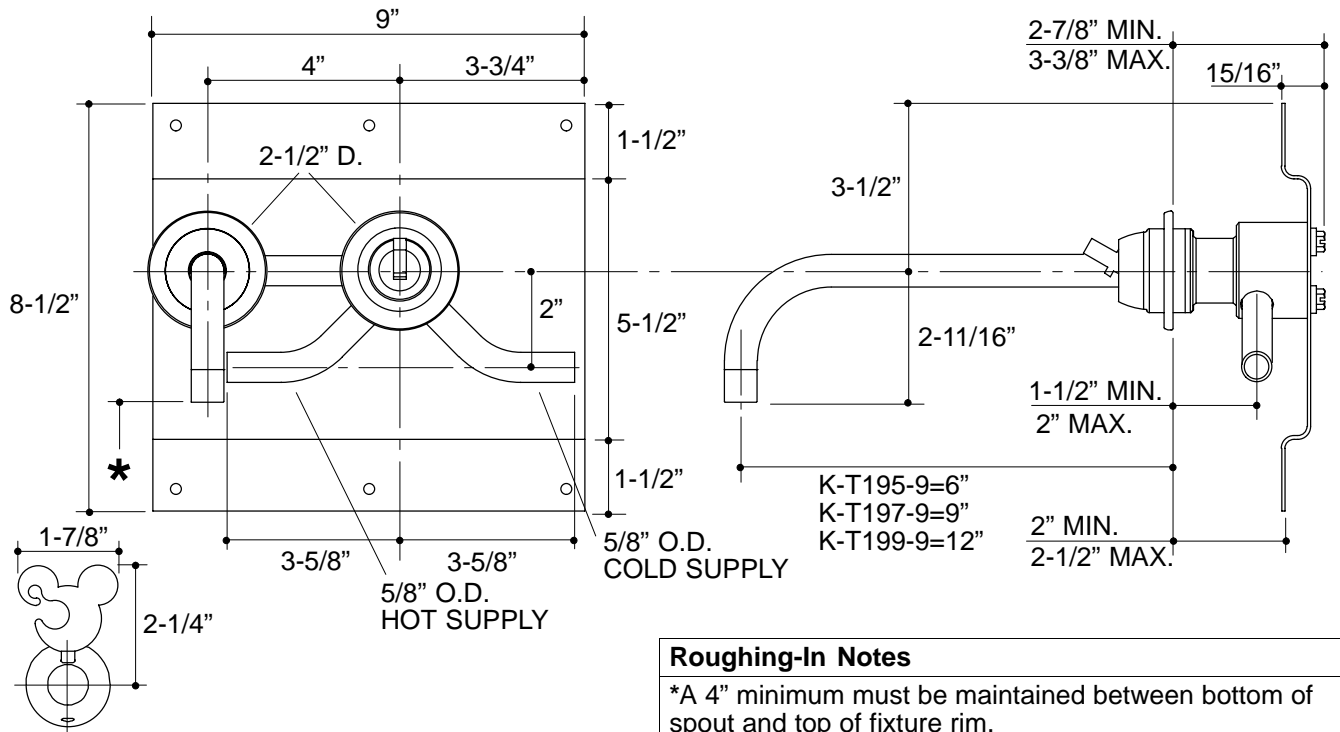
**Optional Accessories on Page 2.**

**PRODUCT SPECIFICATION:**

Single-control wall-mount faucet shall be of brass construction. Product shall include a ©Disney lever handle. Optional feature shall be 6", 9", or 12" spout. Trim shall be Kohler Model K-T\_\_\_\_\_-9-\_\_\_\_\_ with K-307-K-NA valve.

# FALLING WATER

Optional Accessories					
K-7702	Pop-Up Lavatory Drain	<input type="checkbox"/> CP	<input type="checkbox"/> PB		
K-7710	Lavatory Drain		<input type="checkbox"/> CP		
K-7715	Lavatory Drain			<input type="checkbox"/> CP	<input type="checkbox"/> PB
K-8801	Duostrainer Sink Strainer				<input type="checkbox"/> CP <input type="checkbox"/> PB <input type="checkbox"/> Other_____



**Roughing-In Notes**

\*A 4" minimum must be maintained between bottom of spout and top of fixture rim.

Two 1-7/8" D. cut-out holes required for spout and handle.

## PRODUCT DIAGRAM