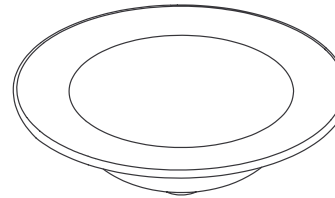
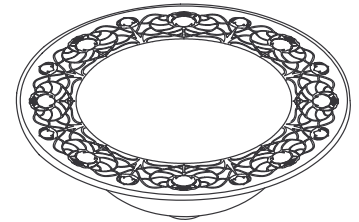


FEATURES

- 21" x 20-7/8"
- Vitreous china
- Self-rimming
- 10" centers (K-2282-10), single-hole (K-2282-1), or no-hole (K-2282) drilling, Camber or 12-3/8" centers (K-14282-12) or no-hole (K-14282) drilling, Water Lilies
- With sealant



K-2282



K-14282

CODES/STANDARDS APPLICABLE

Specified model meets or exceeds the following:

- ASME/ANSI A112.19.2M
- IAPMO/UPC
- Canadian Standards Association (CSA)

COLORS/FINISHES

- 0 White
- Other Refer to Fixtures Price Book for additional colors

Accessories:

- CP Polished Chrome
- Other Refer to Faucets Price Book for additional finishes

SPECIFIED MODEL:

Model	Description	Colors/Finishes	
K-2282-10	10" centers lavatory, Camber	<input type="checkbox"/> 0 White	<input type="checkbox"/> Other_____
K-2282-1	Single-hole, Camber	<input type="checkbox"/> 0 White	<input type="checkbox"/> Other_____
K-2282	No-hole, Camber	<input type="checkbox"/> 0 White	<input type="checkbox"/> Other_____
K-14282-12	12-3/8" centers, Water Lilies	<input type="checkbox"/> 0 White	<input type="checkbox"/> Other_____
K-14282	No-hole, Water Lilies	<input type="checkbox"/> 0 White	<input type="checkbox"/> Other_____

Recommended Accessories			
K-8998	Trap	<input type="checkbox"/> CP	<input type="checkbox"/> Other_____

PRODUCT SPECIFICATION:

The self-rimming lavatory shall be 21" in length, and 20-7/8" in width. Lavatory shall be made of vitreous china. Lavatory shall have 10" centers (K-2282-10), single-hole (K-2282-1), or no-hole (K-2282) drilling, Camber or 12-3/8" centers (K-14282-12) or no-hole (K-14282) drilling, Water Lilies. Lavatory shall include sealant. Lavatory shall be Kohler Model K-_____ - _____ - _____.

CAMBER™ & WATER LILIES™

PRODUCT INFORMATION

Fixture*:		basin area	water depth
Lavatory		14" D.	5"
Outlet	1-3/4" D.		
* Approximate measurements for comparison only.			

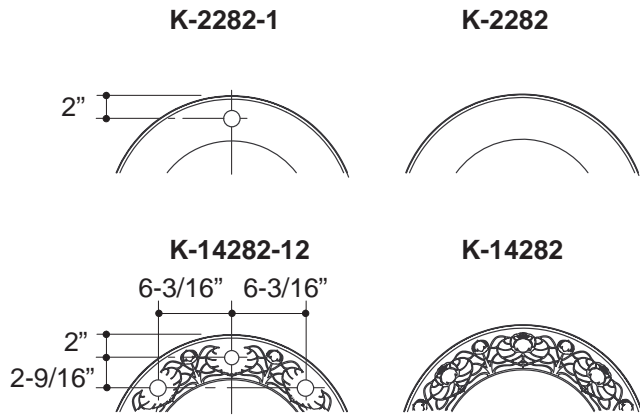
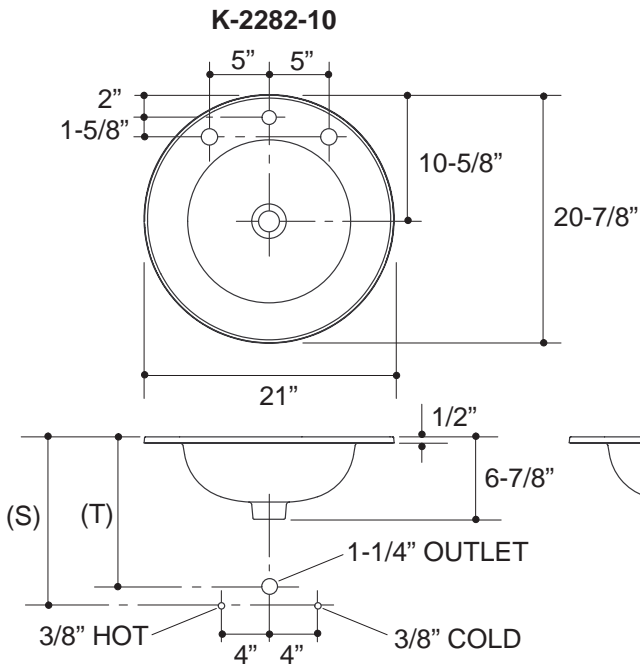
Holes	K-2282-10	K-2282-1	K-14282-12
Spout	1-3/16" D.	1-3/8" D.	1-3/16" D.
Faucet	1-3/8" D.		1-3/8" D.

Included Components:	
Adhesive sealant	81489
Adjustable linkage	40372
Cutout template	86562-7

INSTALLATION NOTES

Refer to installation instructions included with fixture before beginning installation.

IMPORTANT: Due to the large size of the lavatory, a 21-1/8" wide flat is required for installation on a vanity top.



Roughing-In Notes

(T) Pop-up drain 12-1/2".

(S) 14" (Based on 12" riser which may require cutting).

Lavatories without faucet hole drilling require wall-mount faucet with 7" min. spout length.

PRODUCT DIAGRAM