

### Ordering Information

Applicable product:		
Drainboard on right	K-3326R-3	shown
Drainboard on left	K-3326L-3	not shown
Accessories/hardware:		
ProMaster <sup>™</sup> faucet	K-6330	recommended

### Product Information

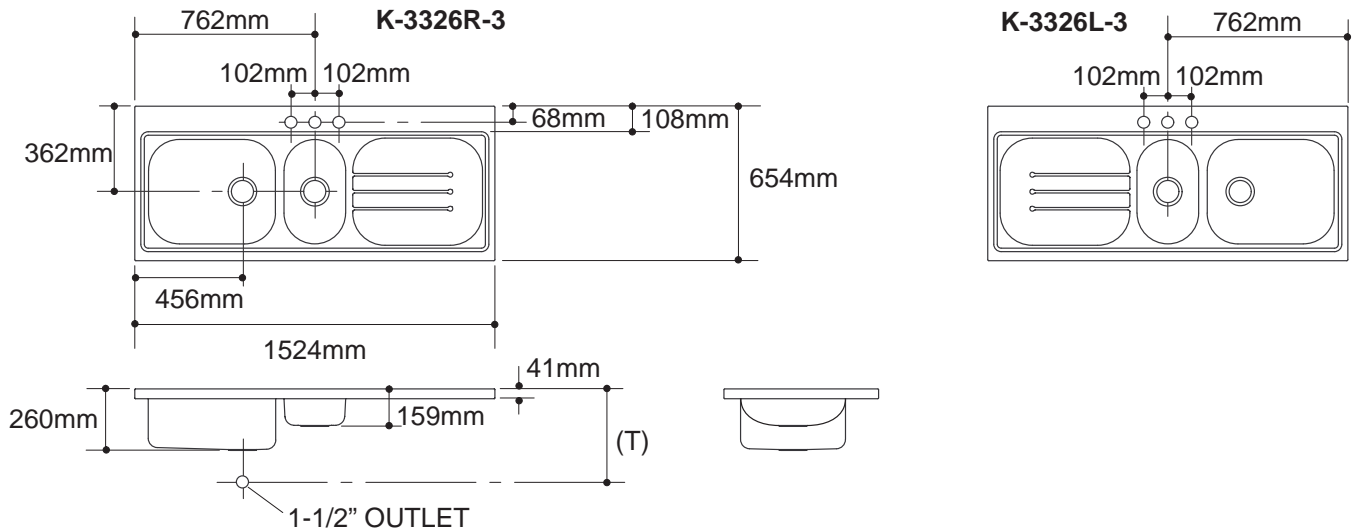
Fixture*:		basin area	water depth
Sink		533 x 457mm	235mm
Disposal		279 x 457mm	133mm
Drainboard		533 x 457mm	
Outlets	Ø92mm		
Faucet holes	Ø35mm		

\* Approximate measurements for comparison only.

Included components:	
Installation hardware	87357
Cutting board	87365
Wire rack	87366
Wire basket	87360
Rinse tray	87367

### Installation Notes

Refer to installation instructions included with fixture before beginning installation.



### Roughing-In Notes

Fixture dimensions are nominal and conform to tolerances in ASME/ANSI Standard A112.19.3M.

For disposal unit, consult supplier for roughing-in measurements.

(T) Drain 397mm.