

### Ordering Information

Accessories/hardware:		
ProMaster™ faucet	K-6330	recommended

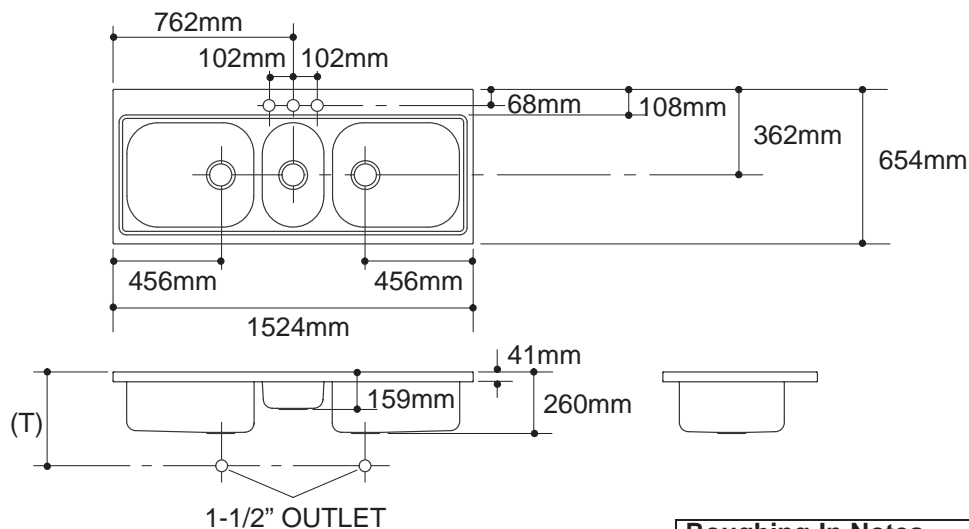
### Product Information

Fixture*:		basin area	water depth
Sink, left		533 x 457mm	235mm
Disposal		279 x 457mm	133mm
Sink, right		533 x 457mm	235mm
Outlets	Ø92mm		
Faucet holes	Ø35mm		
* Approximate measurements for comparison only.			

Included components:	
Installation hardware	87357
Cutting board	87365
Wire rack	87366
Wire basket	87360
Rinse tray	87367

### Installation Notes

Refer to installation instructions included with fixture before beginning installation.



### Roughing-In Notes

Fixture dimensions are nominal and conform to tolerances in ASME/ANSI Standard A112.19.3M.

For disposal unit, consult supplier for roughing-in measurements.

(T) Drain 397mm.