

Ordering Information

| | | |
|-------------------------------|-----------|-------------|
| Accessories/hardware: | | |
| ProAvatar [™] faucet | K-6340-BP | recommended |

Requirements Electrical Service

| | |
|---|----------------------|
| Ground-Fault Circuit-Interrupter (GFCI) protection is recommended. Follow all local electrical codes. | |
| Junction box | 240 V., 15 A., 60 Hz |

Product Information

| Fixture*: | Outlet | basin area | water depth |
|------------------------|-----------|------------|-------------|
| Sink, small | 1" D. | 9-1/2" D. | 6-1/2 quart |
| Sink, large | 3-7/8" D. | 19" x 18" | 7-3/4" |
| Faucet and spout holes | 1-3/8" D. | | |

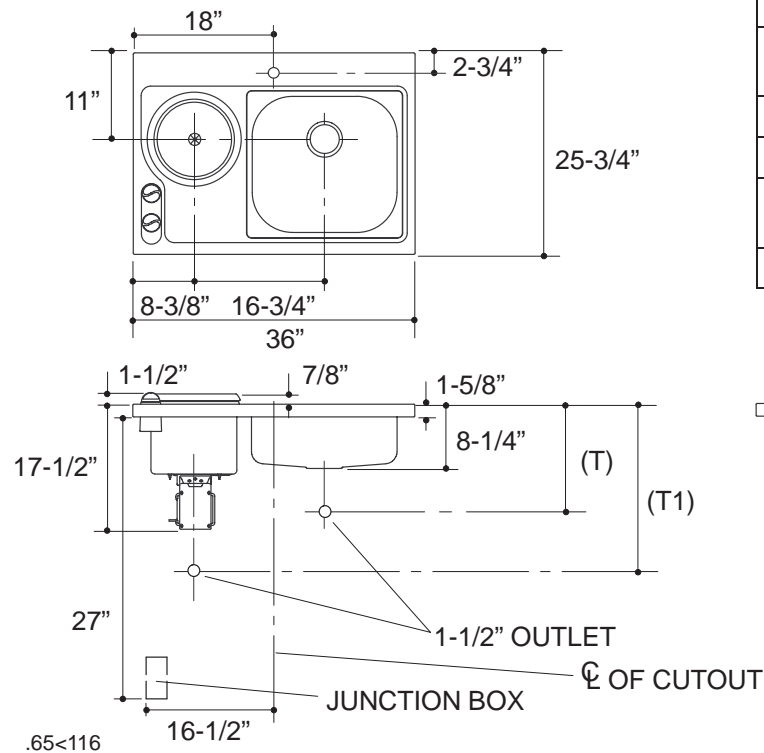
* Approximate measurements for comparison only.

| | |
|------------------------|--------------------|
| Cooking vessel rating: | 240V., 7 A., 60 Hz |
|------------------------|--------------------|

| | |
|-----------------------|---------|
| Included components: | |
| Installation hardware | 87357 |
| Home owners guide | 86565-5 |
| Cook book | 85641 |
| Trim kit | 86574 |
| Wire basket | 87360 |
| Cutting board | 87359 |
| Cookware set | 97590 |

Installation Notes

Refer to installation instructions included with fixture before beginning installation.



| |
|--|
| Roughing-In Notes |
| Fixture dimensions are nominal and conform to tolerances in ASME/ANSI Standard A112.19.3M. |
| (T) Drain 13-5/8". |
| (T1) Drain 21". |
| Spout must be 9" long (min.) and 13-7/8" high (min.) for adequate clearance into basins. |
| 36" minimum base cabinet required. |

