

### Ordering Information

Accessories/hardware:		
ProAvatar™ faucet	K-6340-BP	recommended

### Requirements Electrical Service

Ground-Fault Circuit-Interrupter (GFCI) protection is recommended. Follow all local electrical codes.	
Junction box	240 V., 15 A., 60 Hz

### Product Information

Fixture*:	Outlet	basin area	water depth
Sink, small	Ø25mm	Ø241mm	6 litres
Sink, large	Ø98mm	483 x 457mm	197mm
Faucet and spout holes	Ø35mm		

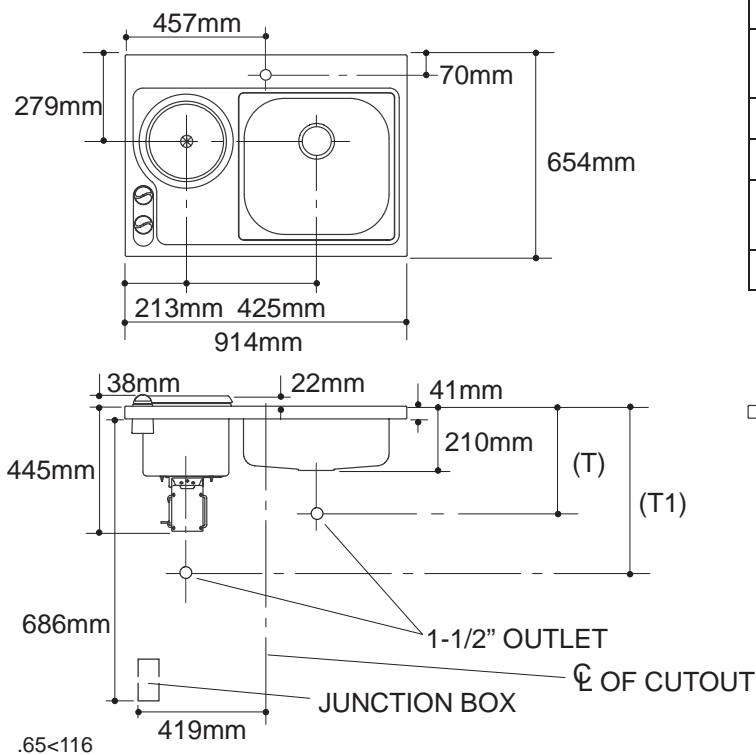
\* Approximate measurements for comparison only.

Cooking vessel rating:	240V., 7 A., 60 Hz
------------------------	--------------------

Included components:	
Installation hardware	87357
Home owners guide	86565-5
Cook book	85641
Trim kit	86574
Wire basket	87360
Cutting board	87359
Cookware set	97590

### Installation Notes

Refer to installation instructions included with fixture before beginning installation.



<b>Roughing-In Notes</b>
Fixture dimensions are nominal and conform to tolerances in ASME/ANSI Standard A112.19.3M.
(T) Drain 346mm.
(T1) Drain 533mm.
Spout must be 229mm long (min.) and 352mm high (min.) for adequate clearance into basins.
914mm minimum base cabinet required.

