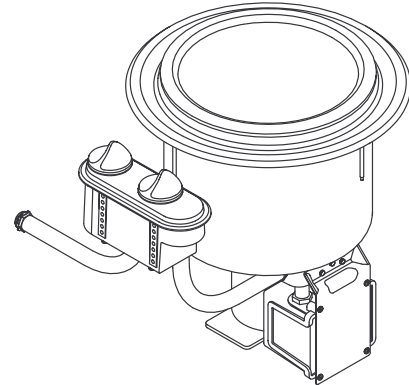


FEATURES

- 15" Diameter
- 18 gauge Stainless Steel
- Single compartment cooking vessel
- Self-rimming



CODES/STANDARDS APPLICABLE

Specified model meets or exceeds the following:

- ASME/ANSI A112.19.3M
- IAPMO/UPC
- Underwriters Laboratories (UL) Listed
- Canadian Standards Association (CSA)

COLORS/FINISHES

- NA None Applicable

Accessories:

- CP Polished Chrome

SPECIFIED MODEL:

Model	Description	Colors/Finishes
K-3318	Self-rimming sink	<input type="checkbox"/> NA

Recommended Accessories		
K-6340-BP	ProAvatar™ faucet	<input type="checkbox"/> CP

PRODUCT SPECIFICATION:

The self-rimming sink shall be 15" in diameter. Sink shall be made of 18 gauge stainless steel. Sink shall be single compartment cooking vessel. Sink shall be Kohler Model K-3318.

PRO COOKSINK™

REQUIRED ELECTRICAL SERVICE

Ground-Fault Circuit-Interrupter (GFCI) protection is recommended. Follow all local electrical codes.

Junction box	240 V., 15 A., 60 Hz
--------------	----------------------

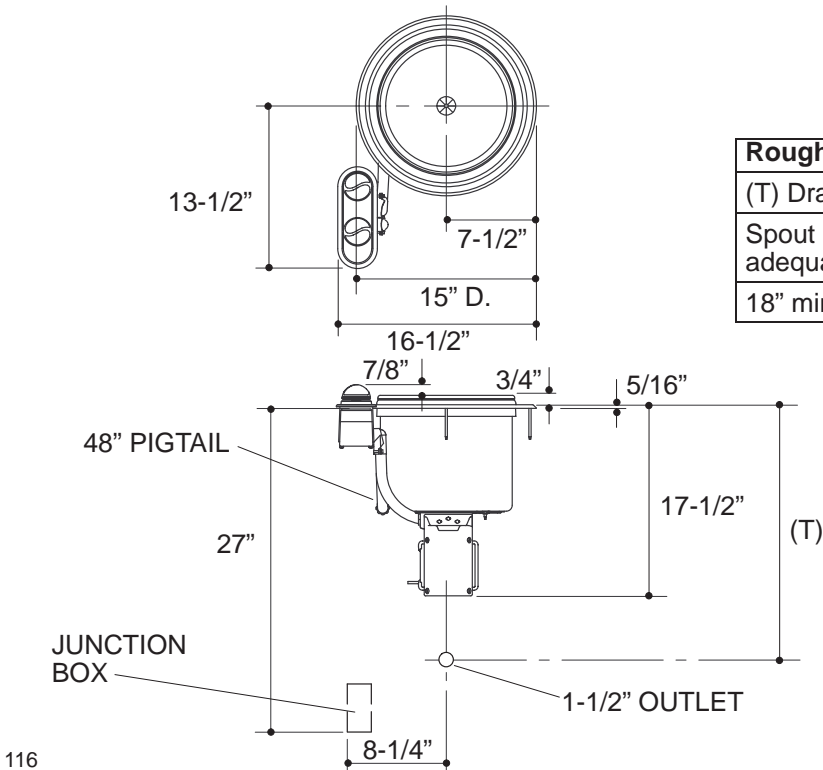
PRODUCT INFORMATION

Fixture*:		basin area	water depth
Sink		9-1/2" D.	6-1/2 qts.
Outlet	1" D.		

* Approximate measurements for comparison only.

Cooking vessel rating:	240V., 7 A., 60 Hz
------------------------	--------------------

Included components:	
Installation hardware	56655
Home owners guide	86565-5
Cookbook	85641
Cookware set	97590
Trim kit	86574
Cutout template	86568-7

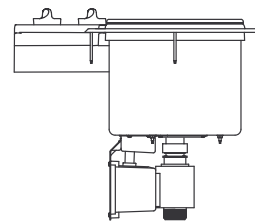


Roughing-In Notes

(T) Drain 21".

Spout must be 9" long (min.) and 13-7/8" high (min.) for adequate clearance into basins.

18" minimum base cabinet required.



PRODUCT DIAGRAM