

Ordering Information

Accessories/hardware:		
ProAvatar™ faucet	K-6340-BP	recommended

Requirements Electrical Service

Ground-Fault Circuit-Interrupter (GFCI) protection is recommended. Follow all local electrical codes.	
Junction box	240 V., 15 A., 60 Hz

Product Information

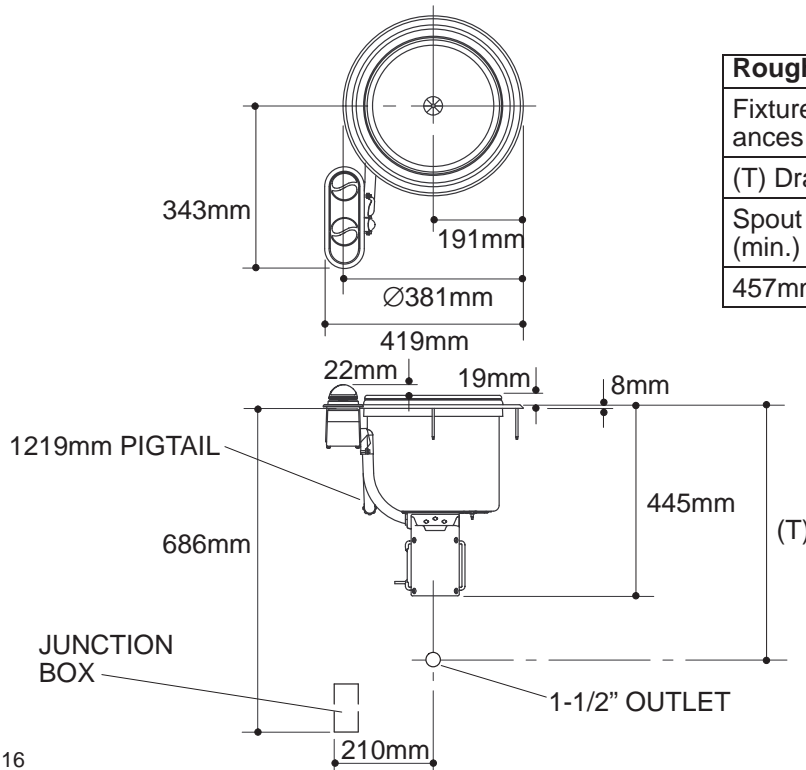
Fixture*:		basin area	water depth
Sink		Ø241mm	6 litres
Outlet	Ø25mm		
* Approximate measurements for comparison only.			

Cooking vessel rating:	240V., 7 A., 60 Hz
------------------------	--------------------

Included components:	
Installation hardware	56655
Home owners guide	86565-5
Cookbook	85641
Cookware set	97590
Trim kit	86574
Cutout template	86568-7

Installation Notes

Refer to installation instructions included with fixture before beginning installation.



Roughing-In Notes
Fixture dimensions are nominal and conform to tolerances in ASME/ANSI Standard A112.19.3M.
(T) Drain 533mm.
Spout must be 229mm long (min.) and 352mm high (min.) for adequate clearance into basins.
457mm minimum base cabinet required.

116