

### Ordering Information

Applicable product:		
Satin finish	K-2277-S	shown
Mirror finish	K-2277-M	shown
Accessories/hardware:		
P-trap	K-9018	recommended
Falling Water faucet trim with 8-1/4" spout or	K-T196	recommended
Falling Water faucet trim with 9" spout or	K-T197	recommended
Falling Water faucet trim with 10-1/4" spout or	K-T198	recommended
Falling Water faucet trim with 10" spout	K-T199	recommended
Single control ceramic valve*	K-307-K	recommended
Drain or	K-7710	recommended
Grid drain or	K-7715	recommended
Pop-up drain	K-7702	recommended
*Valve must be ordered to complete Falling Water faucet.		

### Product Information

Fixture*:		basin area	water depth
Lavatory		15-3/4" D.	4-1/2"
Outlet	1-5/8" D.		
* Approximate measurements for comparison only.			

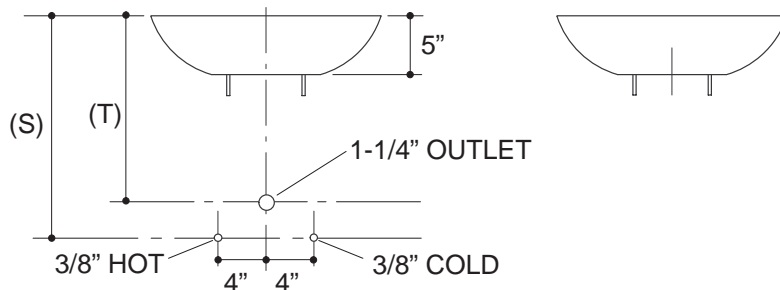
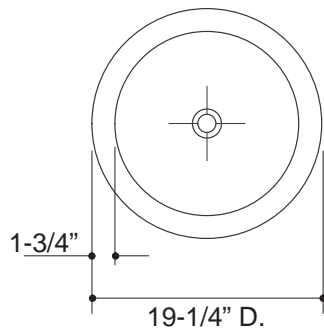
Included Components:	
Adhesive sealant	63034
Drain gasket	33507
Tube	62603
Basin clamp assembly	88007
Cutout template	86744-7

### Installation Notes

Refer to installation instructions included with fixture before beginning installation.

Product does not have an overflow.

**IMPORTANT:** Product rests on countertop. Consider height of product when designing installation.



### Roughing-In Notes

Fixture dimensions are nominal and conform to tolerances in ASME Standard A112.19.3M.

(T) Pop-up drain 10-5/8".

(S) 14" (Based on 13-5/8" riser which may require cutting).

Spout must be 8" long (min.) for adequate clearance into lavatory.