

Ordering Information

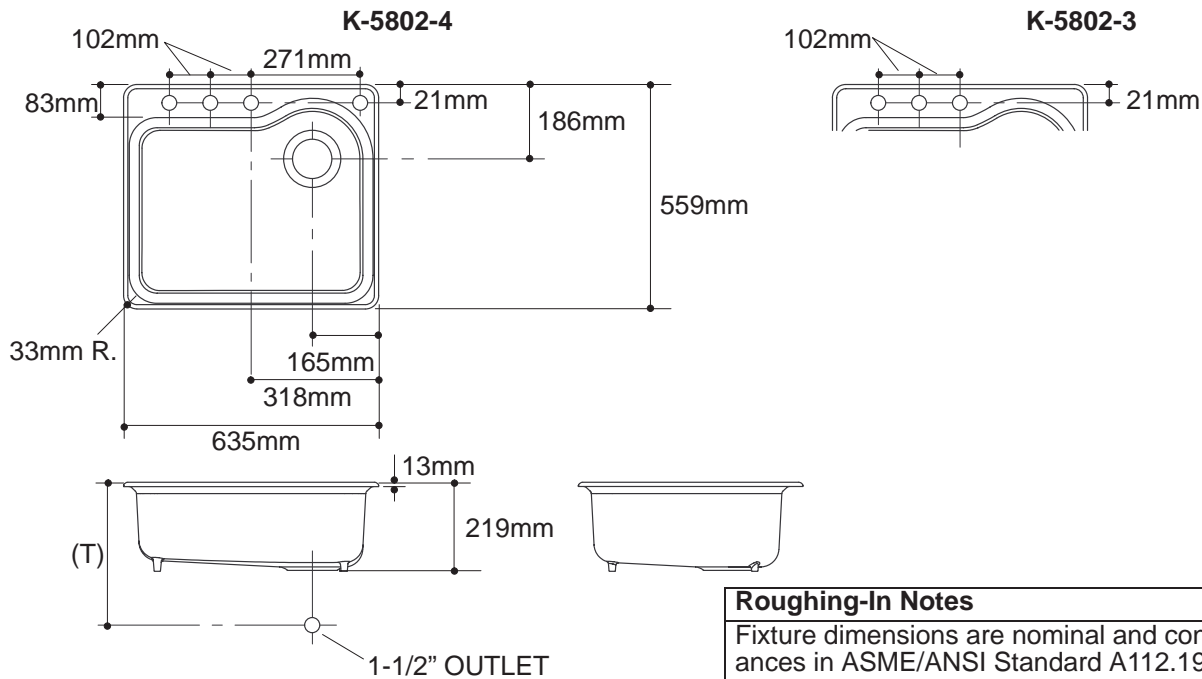
Applicable product:		
Four-hole sink	K-5802-4	shown
Three-hole sink	K-5802-3	not shown
Accessories/hardware:		
Bottom basin rack	K-6018	optional

Product Information

Fixture*:		basin area	water depth
Sink		559 x 457mm	203mm
Outlet	Ø92mm		
Faucet holes	Ø35mm		
* Approximate measurements for comparison only.			

Installation Notes

Refer to installation instructions included with fixture before beginning installation.



Roughing-In Notes	
Fixture dimensions are nominal and conform to tolerances in ASME/ANSI Standard A112.19.1M.	
(T) Drain 356mm.	
Cutout	603mm x 527mm with 25mm radius corners.

.85<116