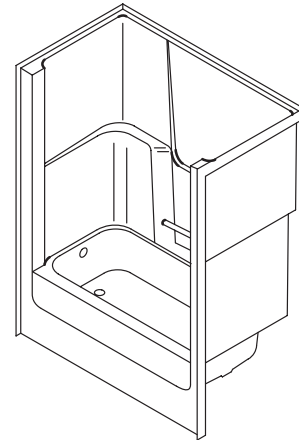


BATH AND SHOWER MODULE

K-1685, K-1686

FEATURES

- 60" x 34-1/2" x 78"
- Fiberglass (FRP)
- Left or right outlet
- Spacious bathing well
- Integral soap ledges
- Acrylic grab bar
- Molded-in floor texture



CODES/STANDARDS APPLICABLE

Specified model meets or exceeds the following:

- ANSI Z124.2
- IAPMO/UPC
- Canadian Standards Association (CSA)

COLORS/FINISHES

- 0 White
- Other Refer to Fixtures Price Book for additional colors

Accessories:

- 0 White
- BH Bright Brass
- SH Bright Silver

SPECIFIED MODEL:

Model	Description	Colors/Finishes	
K-1685	Left hand outlet	<input type="checkbox"/> 0 White	<input type="checkbox"/> Other _____
K-1686	Right hand outlet	<input type="checkbox"/> 0 White	<input type="checkbox"/> Other _____

Recommended Accessories				
K-701025	Focal bypass bath door OR	<input type="checkbox"/> BH	<input type="checkbox"/> SH	<input type="checkbox"/> 0 White
K-703012	Forum™ bypass bath door OR	<input type="checkbox"/> BH	<input type="checkbox"/> SH	<input type="checkbox"/> 0 White
K-704010	Helios™ bath door OR	<input type="checkbox"/> BH	<input type="checkbox"/> SH	<input type="checkbox"/> 0 White
K-704012	Helios™ bath screen	<input type="checkbox"/> BH	<input type="checkbox"/> SH	<input type="checkbox"/> 0 White

PRODUCT SPECIFICATION:

The bath and shower module shall be 60" in length, 34-1/2" in width, and 78" in height. Bath and shower module shall be made of fiberglass (FRP). Bath and shower module shall have left or right outlet. Bath and shower module shall have spacious bathing well. Bath and shower module shall have integral soap ledges. Bath and shower module shall have acrylic grab bar. Bath and shower module shall have molded-in floor texture. Bath and shower module shall be Kohler Model K-_____-_____.

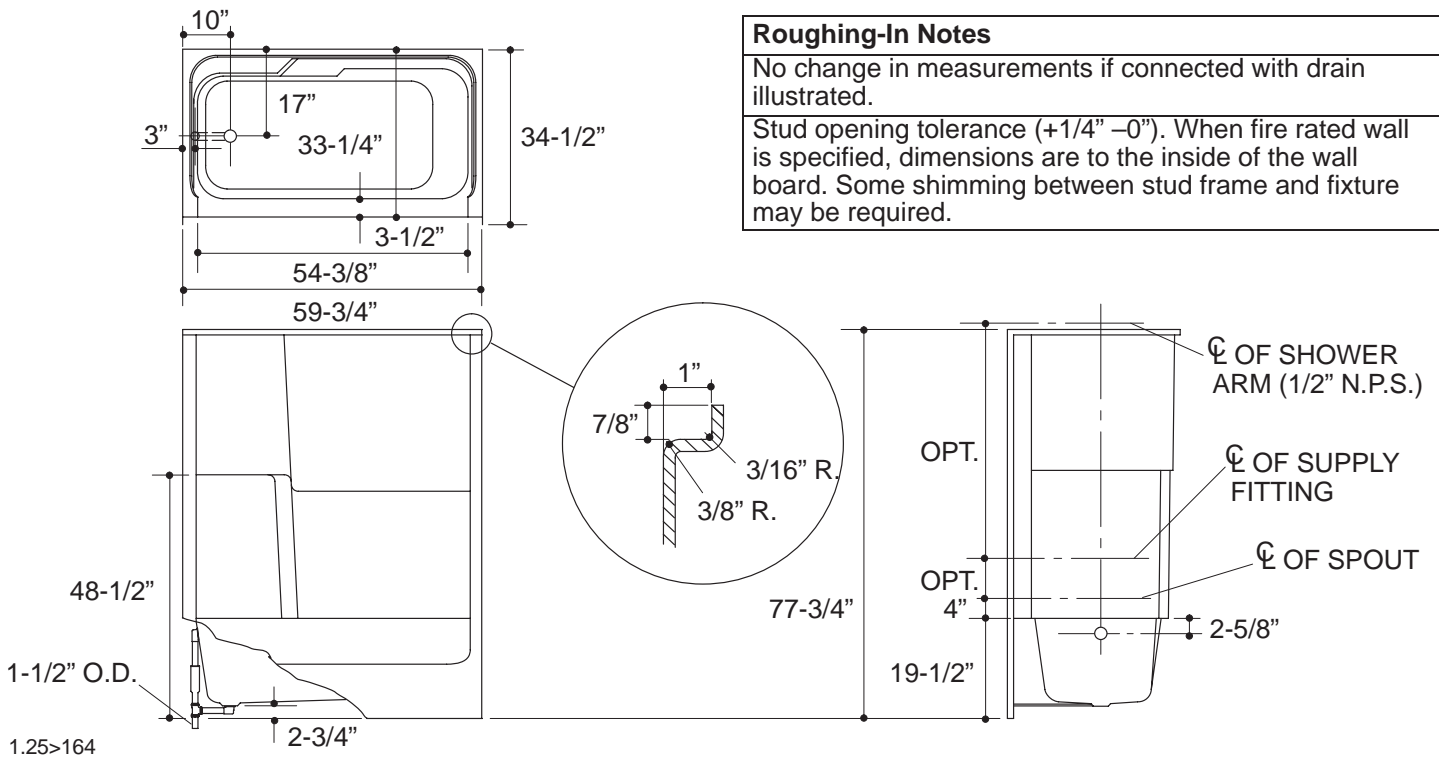
LAKWOOD™

PRODUCT INFORMATION

Fixture*:	basin area	top area	weight
Bathing well	45" x 22"	53" x 25"	150 lbs.
	water depth	capacity	
To overflow	12"	50 gals.	
* Approximate measurements for comparison only.			

INSTALLATION NOTES

Fixture not drilled for supply fittings.
Shimming may be required to level fixture.



PRODUCT DIAGRAM