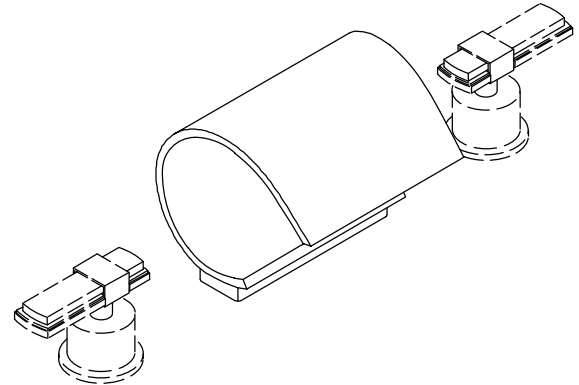


FEATURES

- Brass construction
- Bath-mount
- Brass valve bodies
- 3/4" quarter-turn washerless ceramic disc valves
- High-flow valving
- 3-1/4" Sheetflow non-diverter spout with N.P.T. connection
- Available with lever or ball handles



CODES/STANDARDS APPLICABLE

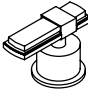

Specified model meets or exceeds the following:

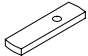
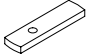
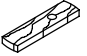
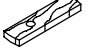
- ASME/ANSI A112.18.1M
- CSA B125
- IAPMO/UPC

COLORS/FINISHES

- CP Polished Chrome
- PB Polished Brass

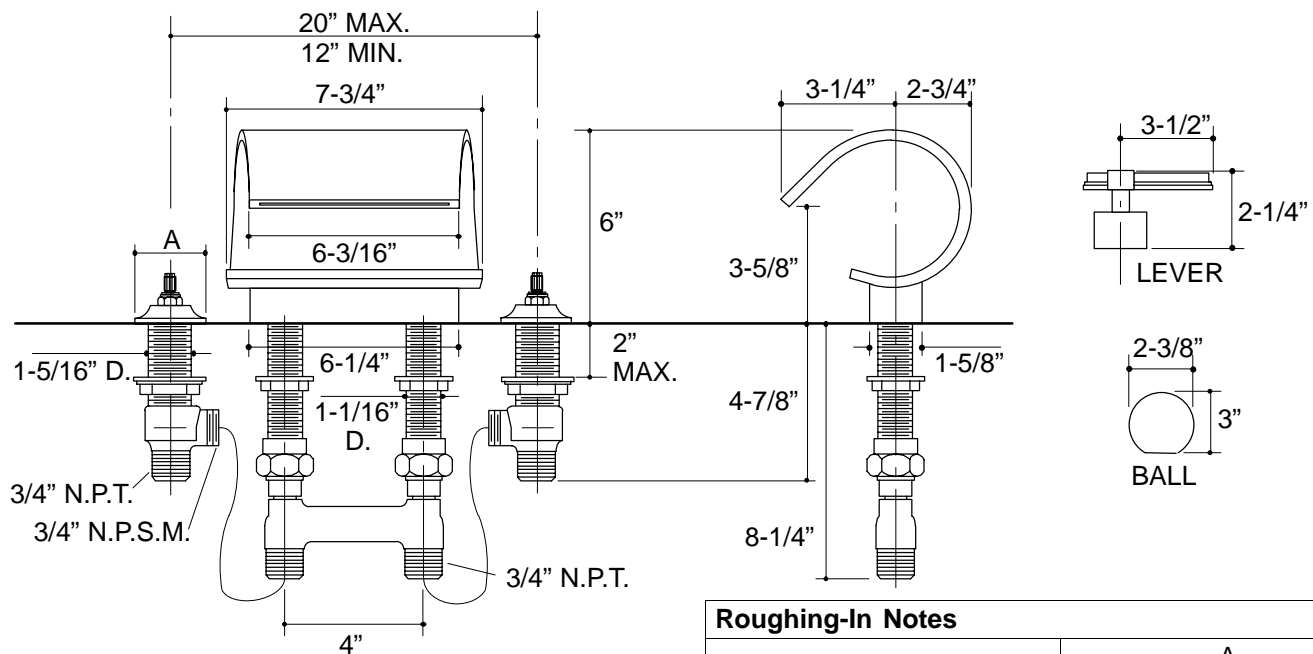
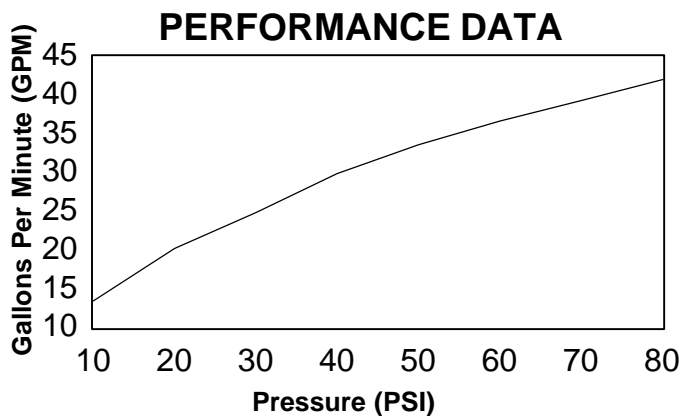
SPECIFIED MODEL:

Model	Description	 ADA	
K-7909-4	With Lever Handles	<input type="checkbox"/> CP <input type="checkbox"/> PB	
K-7909-8	With Ball Handles		<input type="checkbox"/> CP <input type="checkbox"/> PB

Optional Accessories		 	 
K-9970	Large Lever Handle Metal Insets, Pair	<input type="checkbox"/> CP <input type="checkbox"/> PB <input type="checkbox"/> Other_____	
K-9984	Large Lever Handle Stone Insets, Pair		<input type="checkbox"/> Other_____

PRODUCT SPECIFICATION:

Two-handle bath-mount high-flow bath faucet shall be of brass construction. Faucet shall feature brass valve bodies. Faucet shall feature 3/4" quarter-turn washerless ceramic disc valves, assuring positive handle stop positioning. High-flow valving allows water to flow 25-30 gpm at 45 psi. Product shall include 3-1/4" Sheetflow non-diverter spout with N.P.T. connection, and lever or ball handles. Faucet shall be Kohler Model K-7909-_____-_____.



Roughing-In Notes	
	A
With lever handles	2-1/2"
With ball handles	2-1/8"

.75<18

PRODUCT DIAGRAM