

**LAVATORY FAUCET  
K-7916-8**

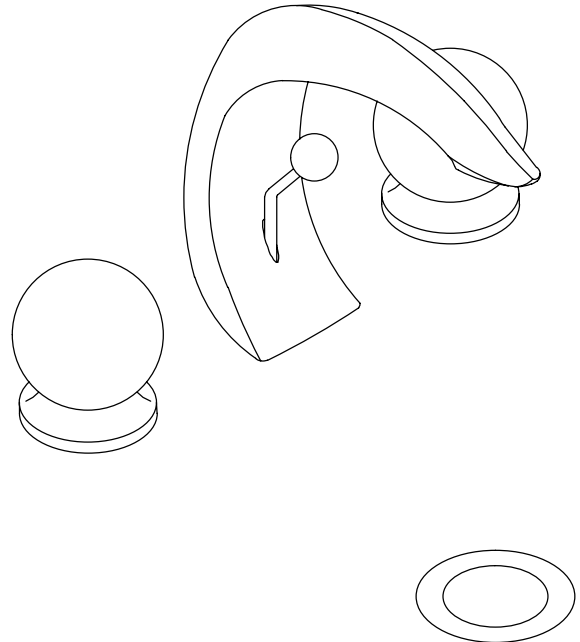
**FEATURES**

- Brass construction
- Flexible connections
- Brass valve bodies
- Quarter-turn washerless ceramic disc valves
- 5" Crescent spout
- 2.0 gallons per minute
- Pop-up drain with lift rod and tailpiece
- Ball handles

**CODES/STANDARDS APPLICABLE**

Specified model meets or exceeds the following:

- ASME/ANSI A112.18.1M
- Energy Policy Act of 1992
- IAPMO/UPC
- NSF 61



**COLORS/FINISHES**

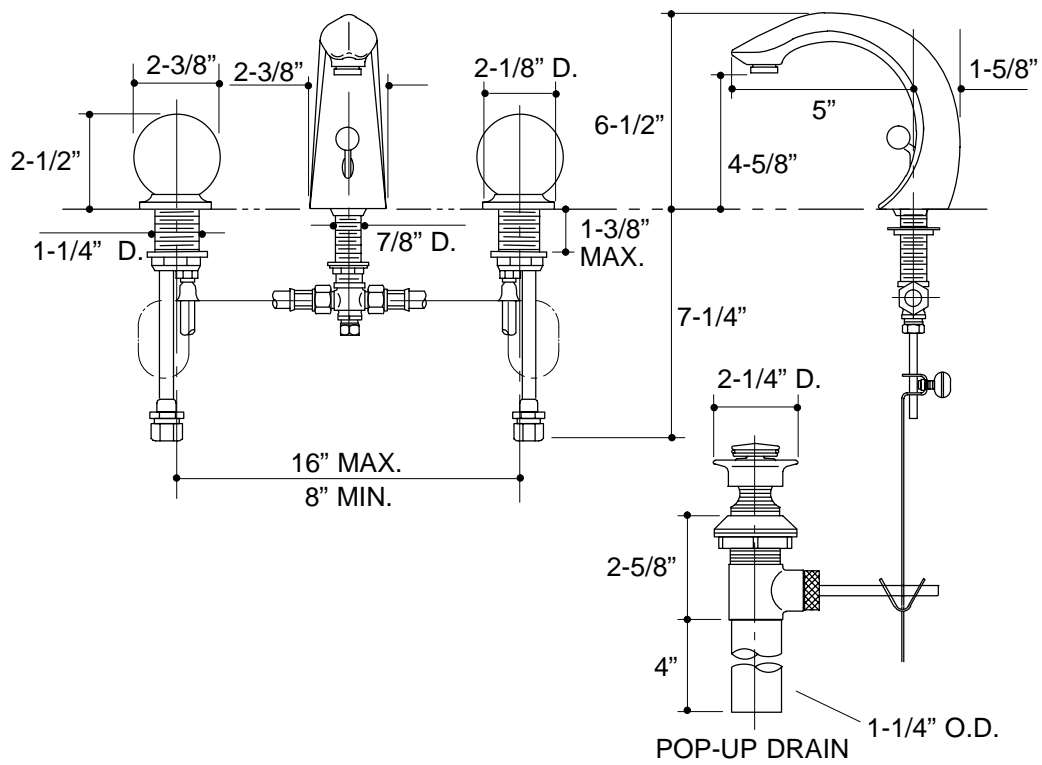
- CP Polished Chrome
- PB Polished Brass

**SPECIFIED MODEL:**

Model	Description		
K-7916-8	Cirrus Widespread Lavatory Faucet	<input type="checkbox"/> CP	<input type="checkbox"/> PB

**PRODUCT SPECIFICATION:**

Two-handle widespread lavatory faucet shall be of brass construction. Faucet shall feature brass valve bodies. Faucet shall feature quarter-turn washerless ceramic disc valves, assuring positive handle stop positioning. Product shall include flexible connections, 5" Crescent spout, pop-up drain with lift rod and tailpiece, and ball handles. Faucet shall be Kohler Model K-7916-8-\_\_\_\_\_.



316

## PRODUCT DIAGRAM