

Ordering Information

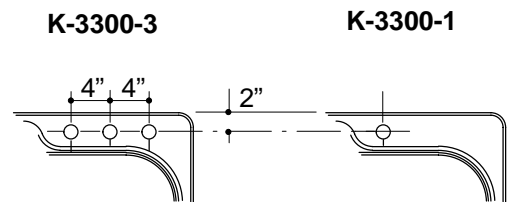
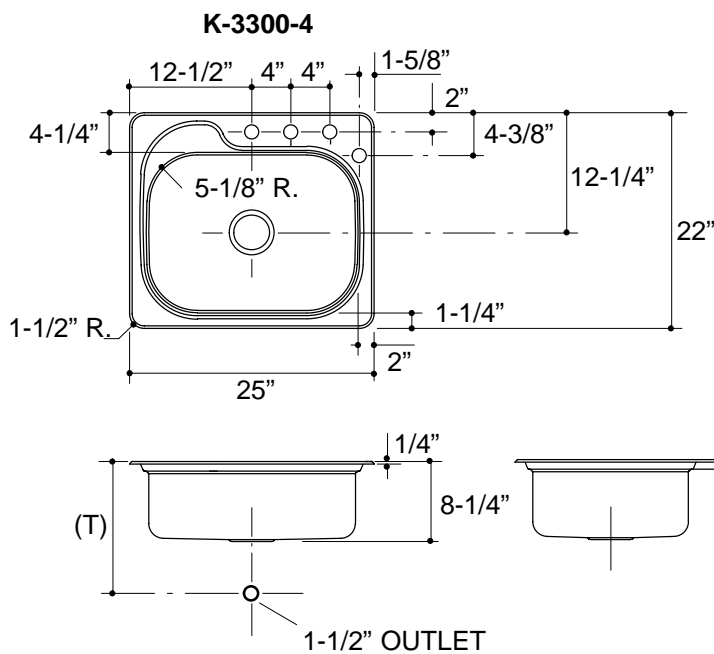
Applicable product:		
Four-hole sink	K-3300-4	shown
Three-hole sink	K-3300-3	not shown
One-hole sink	K-3300-1	not shown

Product Information

Fixture*:		basin area	water depth
Sink		21" x 16"	7-1/4"
Outlet	3-5/8" D.		
Faucet holes	1-7/16" D.		
* Approximate measurements for comparison only.			

Installation Notes

Refer to installation instructions included with fixture before beginning installation.



Roughing-In Notes

Fixture dimensions are nominal and conform to tolerances in ASME/ANSI Standard A112.19.3M.

(T) Drain typically 13-1/2".

Cutout 24-1/2" x 21-1/2" with 1-1/2" radius corners.