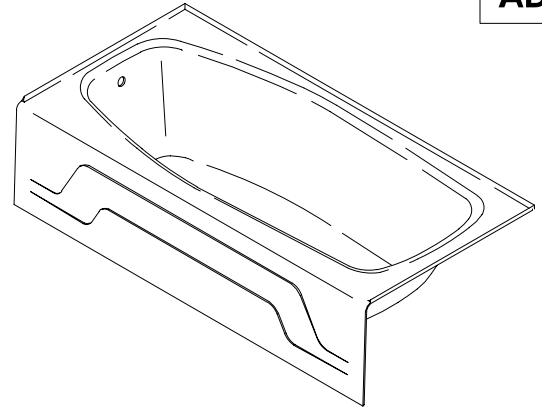


# K-519, K-520

ADA

## FEATURES

- 60" x 32" x 16-1/4"
- Cast iron with Safeguard® finish
- Left or right outlet
- For above the floor rough-in
- ADA compliant when installed with seat at head end



## CODES/STANDARDS APPLICABLE

Specified model meets or exceeds the following:

- ADA
- ASME/ANSI A112.19.1M
- CABO/ANSI A117.1
- IAPMO/UPC
- Canadian Standards Association (CSA)
- State of Massachusetts

## COLORS/FINISHES

- 0 White
- Other Refer to Fixtures Price Book for additional colors

### Accessories:

- CP Polished Chrome
- PB Polished Brass
- Other Refer to Faucets Price Book for additional finishes

## SPECIFIED MODEL:

Model	Description	Colors/Finishes	
K-519	Bath with outlet at left	<input type="checkbox"/> 0 White	<input type="checkbox"/> Other_____
K-520	Bath with outlet at right	<input type="checkbox"/> 0 White	<input type="checkbox"/> Other_____

Recommended Accessories			
K-7160-AF	Drain	<input type="checkbox"/> CP	<input type="checkbox"/> PB <input type="checkbox"/> Other_____

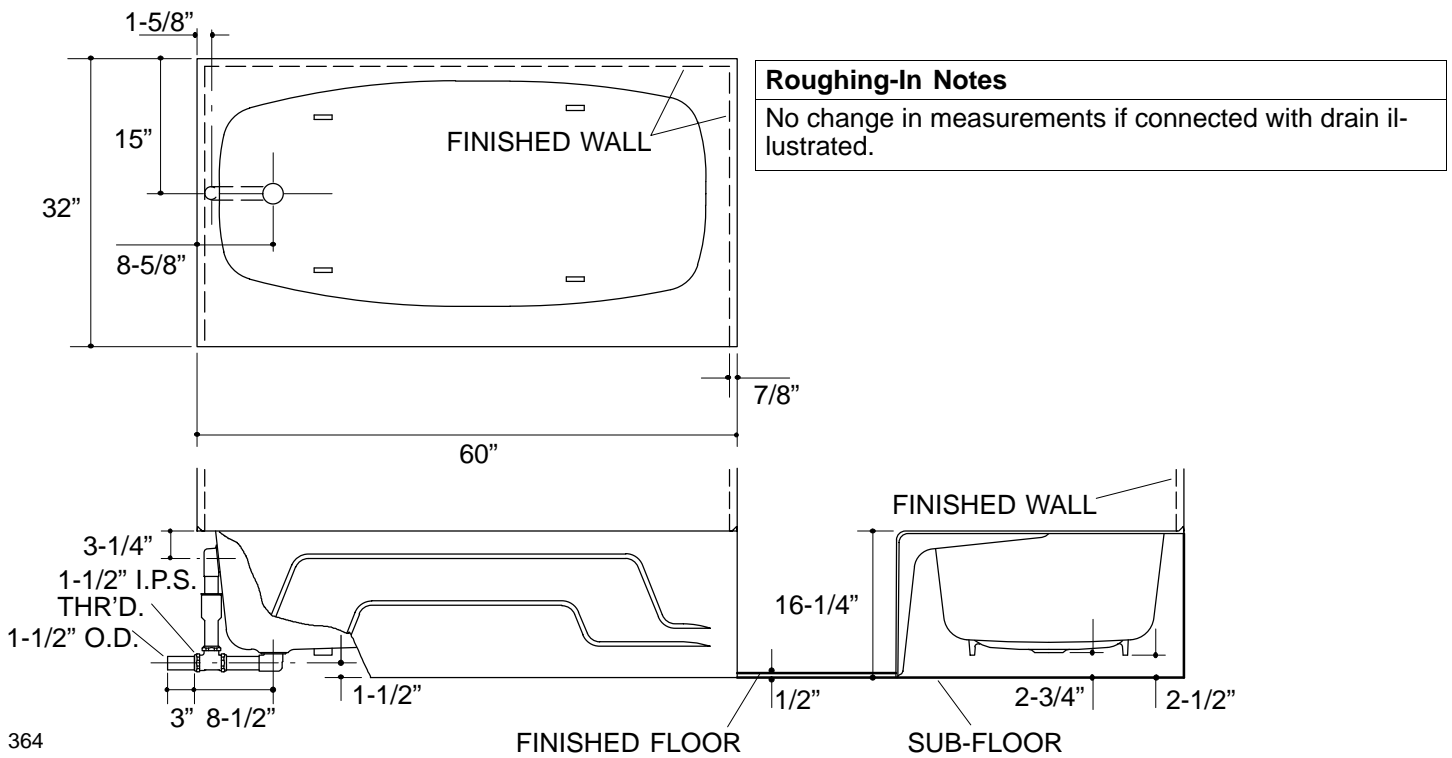
## PRODUCT SPECIFICATION:

The bath shall be 60" in length, 32" in width, and 16-1/4" in height. Bath shall be made of cast iron with Safeguard® finish. Bath shall have an outlet at left or right. Bath shall be for above the floor rough-in. Bath shall be ADA compliant when installed with seat at head end. Bath shall be Kohler Model K-\_\_\_\_\_-\_\_\_\_\_.

# DYNAMETRIC™

## PRODUCT INFORMATION

Fixture*:	basin area	top area	weight
Bathing well	41" x 22"	54" x 25"	345 lbs.
	water depth	capacity	
To overflow	8-5/8"	35 gal.	
* Approximate measurements for comparison only.			



## PRODUCT DIAGRAM