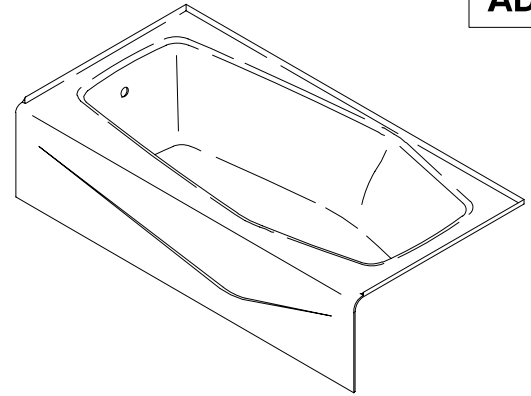


K-715, K-716

ADA

FEATURES

- 60" x 30-1/4" x 14"
- Cast iron with Safeguard® finish
- Left or right outlet
- ADA compliant when installed with seat at head end



CODES/STANDARDS APPLICABLE

Specified model meets or exceeds the following:

- ADA
- ASME/ANSI A112.19.1M
- CABO/ANSI A117.1
- IAPMO/UPC
- Canadian Standards Association (CSA)
- State of Massachusetts

COLORS/FINISHES

- 0 White
- Other Refer to Fixtures Price Book for additional colors

Accessories:

- CP Polished Chrome
- PB Polished Brass
- Other Refer to Faucets Price Book for additional finishes

SPECIFIED MODEL:

Model	Description	Colors/Finishes	
K-715	Bath with outlet at left	<input type="checkbox"/> 0 White	<input type="checkbox"/> Other_____
K-716	Bath with outlet at right	<input type="checkbox"/> 0 White	<input type="checkbox"/> Other_____

Recommended Accessories				
K-7160-TF	Drain OR	<input type="checkbox"/> CP	<input type="checkbox"/> PB	<input type="checkbox"/> Other_____
K-11660	Adjustable drain	<input type="checkbox"/> CP	<input type="checkbox"/> PB	<input type="checkbox"/> Other_____

PRODUCT SPECIFICATION:

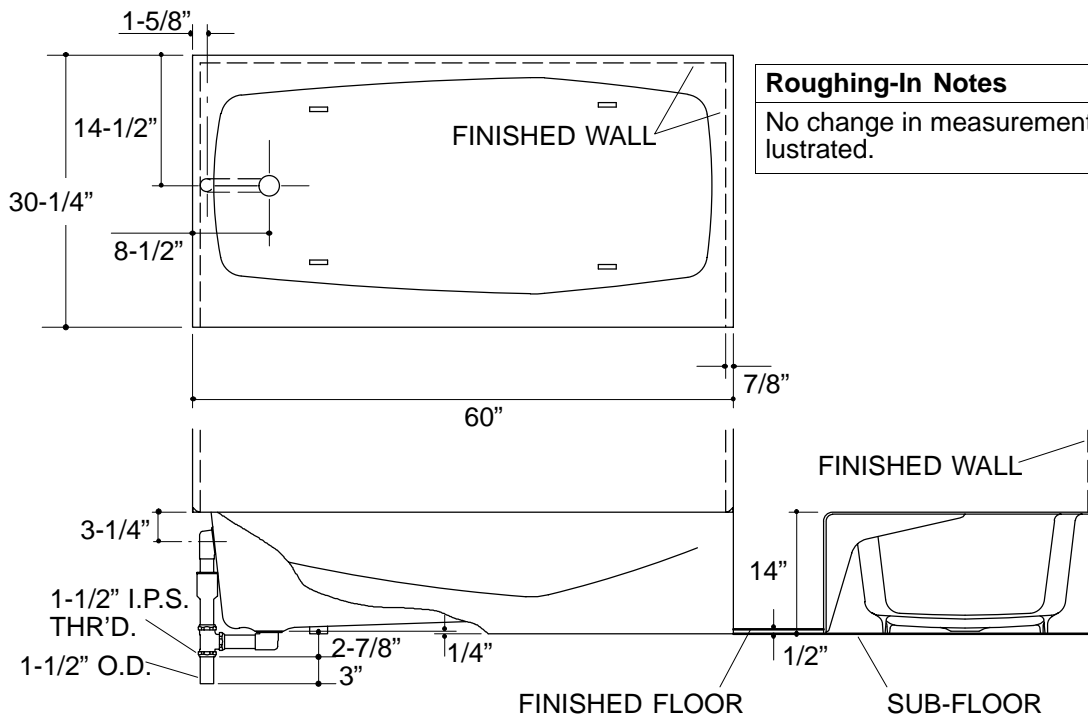
The bath shall be 60" in length, 30-1/4" in width, and 14" in height. Bath shall be made of cast iron with Safeguard® finish. Bath shall have an outlet at left or right. Bath shall be ADA compliant when installed with seat at head end. Bath shall be Kohler Model K-_____-_____.

VILLAGER™

PRODUCT INFORMATION

Fixture*:	basin area	top area	weight
Bathing well	45" x 22"	55" x 24"	316 lbs.
	water depth	capacity	
To overflow	8-5/8"	33 gal.	

* Approximate measurements for comparison only.



364

PRODUCT DIAGRAM