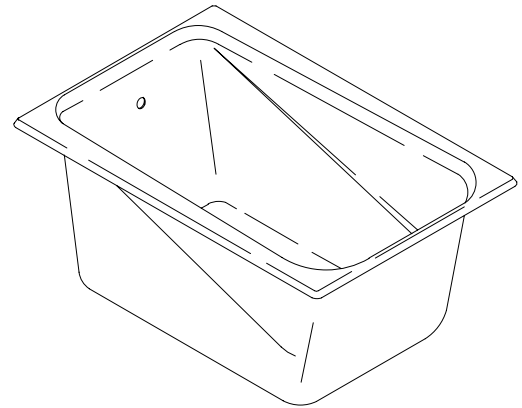


K-1490-X

FEATURES

- 48" x 32" x 23-3/8"
- Acrylic
- With *Repose™* vinyl bath pillow
- Optional K-1495 front apron



CODES/STANDARDS APPLICABLE

Specified model meets or exceeds the following:

- ANSI Z124.1
- IAPMO/UPC
- Canadian Standards Association (CSA)
- State of Massachusetts
- Dade County, Florida

COLORS/FINISHES

- 0 White
- Other Refer to Fixtures Price Book for additional colors

Accessories:

- CP Polished Chrome
- PB Polished Brass
- Other Refer to Faucets Price Book for additional finishes
- NA None Applicable

SPECIFIED MODEL:

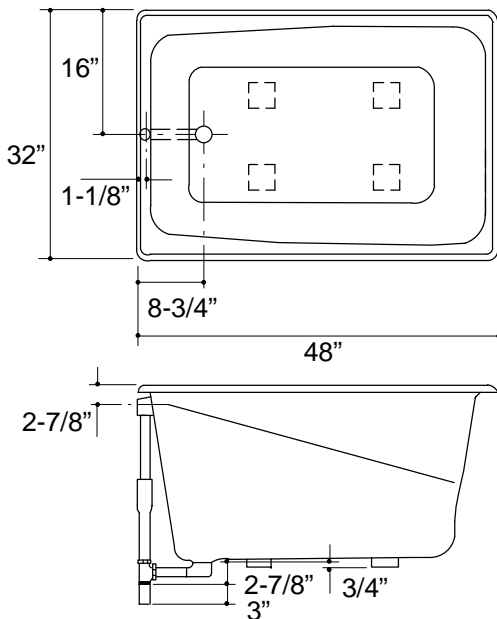
Model	Description	Colors/Finishes		
K-1490-X	Bath	<input type="checkbox"/> 0 White	<input type="checkbox"/> Other_____	
Recommended Accessories				
K-7163	Drain	<input type="checkbox"/> CP	<input type="checkbox"/> PB	<input type="checkbox"/> Other_____
Optional Accessories				
K-1495	Apron (non-removable)	<input type="checkbox"/> 0 White	<input type="checkbox"/> Other_____	
K-1179	Vinyl tiling-in bead (use when wall material contacts any top surface of bath)	<input type="checkbox"/> NA		

PRODUCT SPECIFICATION:

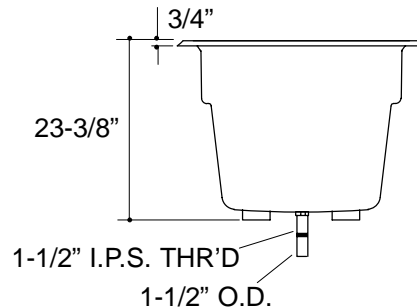
The bath shall be 48" in length, 32" in width, and 23-3/8" in height. Bath shall be made of acrylic. Bath shall include *Repose™* vinyl bath pillow. Bath shall have optional K-1495 front apron. Bath shall be Kohler Model K-1490-X-_____.

PRODUCT INFORMATION

Fixture*:	basin area	top area	weight
Bathing well	36" x 21"	42" x 26"	60 lbs.
	water depth	capacity	
To overflow	17-7/8"	68 gal.	
* Approximate measurements for comparison only.			
Included Components:			
Repose™ vinyl bath pillow			61482



Roughing-In Notes	
No change in measurements if connected with drain illustrated.	
Cut-out	46-1/2" x 30-1/2"



1.25>132

PRODUCT DIAGRAM