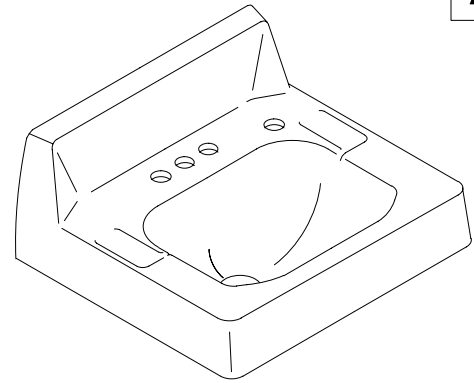


#### FEATURES

- 20-3/4" x 18"
- Vitreous china
- Wall-mount
- 8" centers (-8) or 4" centers (-4)
- Soap dispenser drilling on right
- With overflow
- ADA compliant when installed with K-13885 offset drain
- With hanger
- Drilled for concealed arm carrier



#### CODES/STANDARDS APPLICABLE

Specified model meets or exceeds the following:

- ADA when installed with K-13885 offset drain
- ASME/ANSI A112.19.2M
- CABO/ANSI A117.1
- IAPMO/UPC

#### COLORS/FINISHES

- 0 White

#### Accessories:

- CP Polished Chrome
- Other Refer to Faucets Price Book for additional finishes

#### SPECIFIED MODEL:

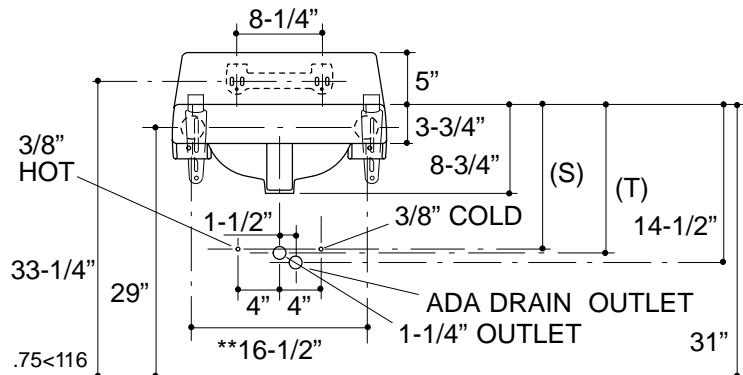
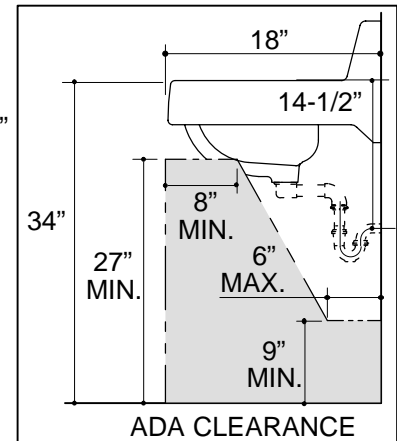
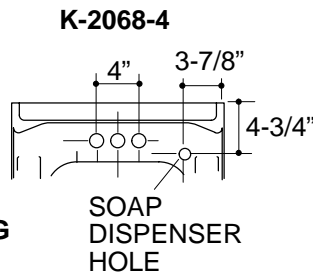
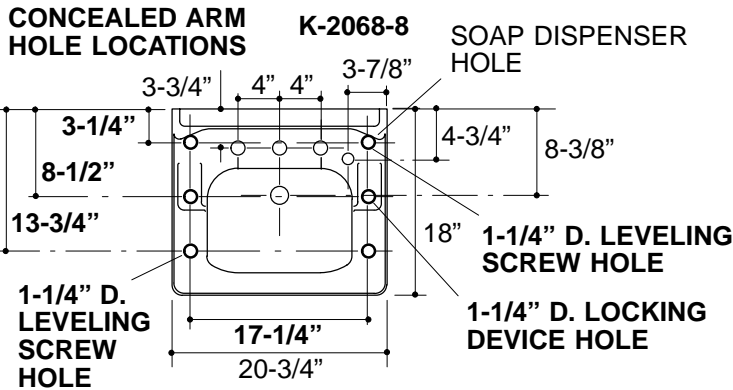
Model	Description	Colors/Finishes	
K-2068-8	8" centers lavatory	<input type="checkbox"/> 0 White	
K-2068-4	4" centers lavatory	<input type="checkbox"/> 0 White	
Optional Accessories			
K-13885	Drain	<input type="checkbox"/> CP	<input type="checkbox"/> Other _____

#### PRODUCT SPECIFICATION:

The lavatory with back shall be 20-3/4" in length, and 18" in width. Lavatory shall be made of vitreous china. Lavatory shall be wall-mount with hanger. Lavatory shall have 8" centers (-8) or 4" centers (-4). Lavatory shall have soap dispenser drilling on right. Lavatory shall have overflow. Lavatory shall be ADA compliant when installed with K-13885 offset drain. Lavatory shall be drilled for concealed arm carrier. Lavatory shall be Kohler Model K-2068-\_\_\_\_\_-\_\_\_\_\_.

## PRODUCT INFORMATION

ADA compliant when installed with K-13885 offset drain.			
Fixture*:		basin area	water depth
Lavatory		14" x 10"	5-3/4"
Outlet	1-3/4" D.		
* Approximate measurements for comparison only.			
Holes	<b>K-2068-8</b>	<b>K-2068-4</b>	
Spout	1-3/16" D.	1-3/16" D.	
Faucet	1-3/8" D.	1-3/16" D.	
Soap dispenser	1-1/4" D.	1-1/4" D.	
Included Components:			
Hanger		64839	
Supplied hanger not used with concealed arm carrier.			



### Roughing-In Notes

\*\*Dimensions from centerline to centerline of brackets.

(T) Pop-up drain 14-3/8", grid drain 13-1/2".

(S) 14" (Based on 12" riser which may require cutting).

## PRODUCT DIAGRAM