

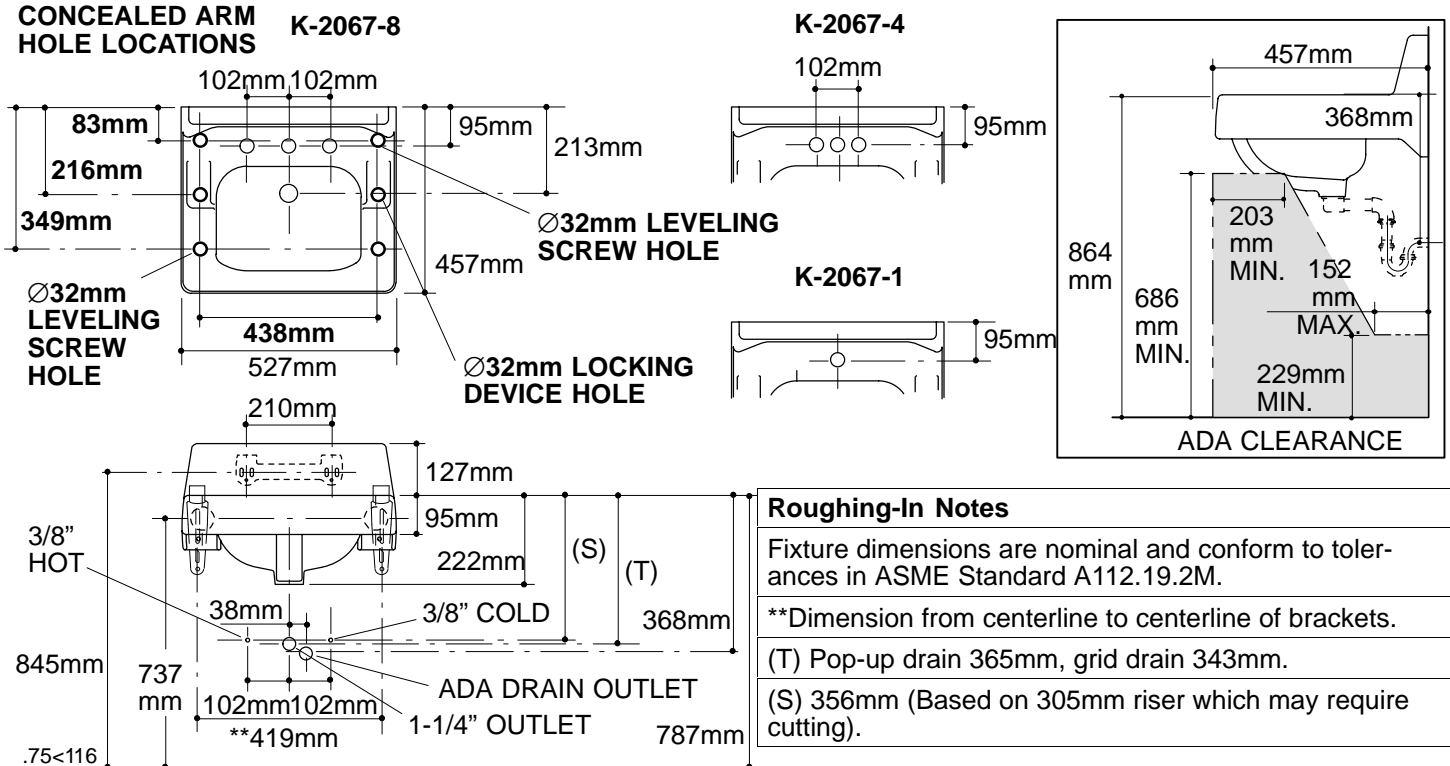
Ordering Information

Applicable product:		
203mm centers lavatory	K-2067-8	shown
Single-hole lavatory	K-2067-1	not shown
102mm centers lavatory	K-2067-4	not shown
Accessories/hardware:		
Brackets	K-1808	optional
Drain	K-13885	optional
Trap	K-8998	optional

Product Information

ADA compliant when installed with K-13885 offset drain.			
Fixture*:		basin area	water depth
Lavatory		356 x 254mm	146mm
Outlet	Ø44mm		
*Approximate measurements for comparison only.			
Holes	K-2067-8	K-2067-1	K-2067-4
Spout	Ø30mm	Ø30mm	Ø30mm
Faucet	Ø35mm		Ø30mm
Included Components:			
Hanger		64839	
Supplied hanger not used with concealed arm carrier.			

CONCEALED ARM HOLE LOCATIONS



Roughing-In Notes

Fixture dimensions are nominal and conform to tolerances in ASME Standard A112.19.2M.

**Dimension from centerline to centerline of brackets.

(T) Pop-up drain 365mm, grid drain 343mm.

(S) 356mm (Based on 305mm riser which may require cutting).