

### Ordering Information

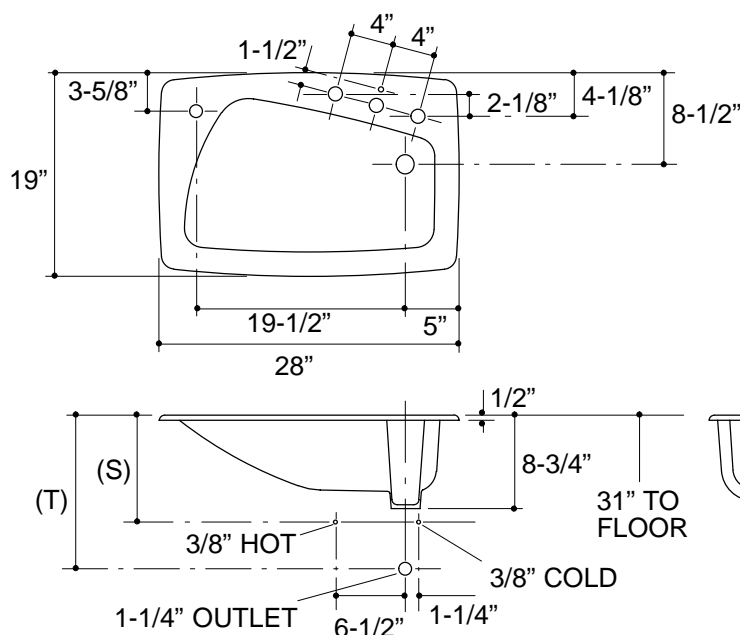
Applicable product:		
Single hole lavatory	K-2170-8S	shown
Accessories/hardware:		
Flair faucet <b>OR</b>	K-6249-4	required
Alterna faucet <b>OR</b>	K-6956-2	required
Triton faucet	K-7449-K	required

### Product Information

Fixture*:		basin area	water depth
Lavatory		23" x 14"	5-1/4"
Outlet	1-3/4" D.		
* Approximate measurements for comparison only.			

Holes	<b>K-2170-8S</b>		
Spout	1-3/8" D.		
Faucet	1-3/8" D.		
Lift rod	9/16" D.		
Soap dispenser	1-1/4" D.		

Included Components:	
Adhesive sealant	63034
Cutout template	101090



### Roughing-In Notes

Fixture dimensions are nominal and conform to tolerances in ASME Standard A112.19.2M.

(T) Pop-up 14-3/8".

(S) 10" (Based on 12" riser which may require cutting).

.9>116

**K-2170** Lady Vanity™ Lavatory  
105039-1-BA (A)

**KOHLER®**