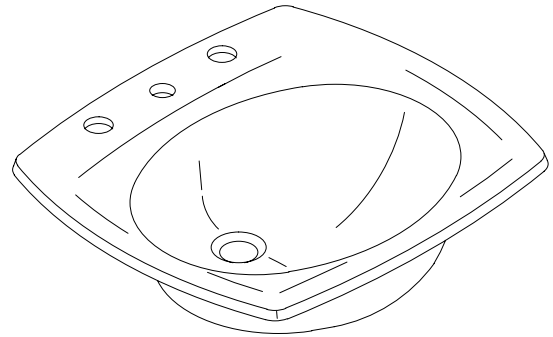


FEATURES

- 21" x 19"
- Vitreous china
- Self-rimming
- 4" centers (K-2187-4), 8" centers (K-2187-8) or single-hole (K-2187-1) drilling
- With overflow
- ADA compliant
- With sealant



CODES/STANDARDS APPLICABLE

Specified model meets or exceeds the following:

- ADA
- ASME/ANSI A112.19.2M
- CABO/ANSI A117.1
- IAPMO/UPC
- Canadian Standards Association (CSA)
- State of Massachusetts

COLORS/FINISHES

- 0 White
- Other Refer to Fixtures Price Book for additional colors

Accessories:

- CP Polished Chrome
- Other Refer to Faucets Price Book for additional finishes

SPECIFIED MODEL:

Model	Description	Colors/Finishes	
K-2187-4	4" centers lavatory	<input type="checkbox"/> 0 White	<input type="checkbox"/> Other_____
K-2187-8	8" centers lavatory	<input type="checkbox"/> 0 White	<input type="checkbox"/> Other_____
K-2187-1	Single-hole lavatory	<input type="checkbox"/> 0 White	<input type="checkbox"/> Other_____

Recommended Accessories			
K-8998	Trap	<input type="checkbox"/> CP	<input type="checkbox"/> Other_____

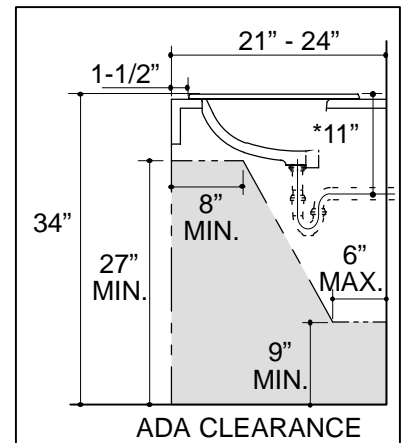
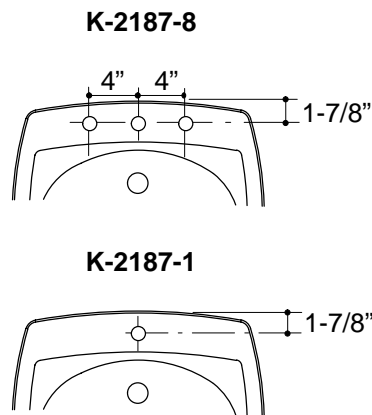
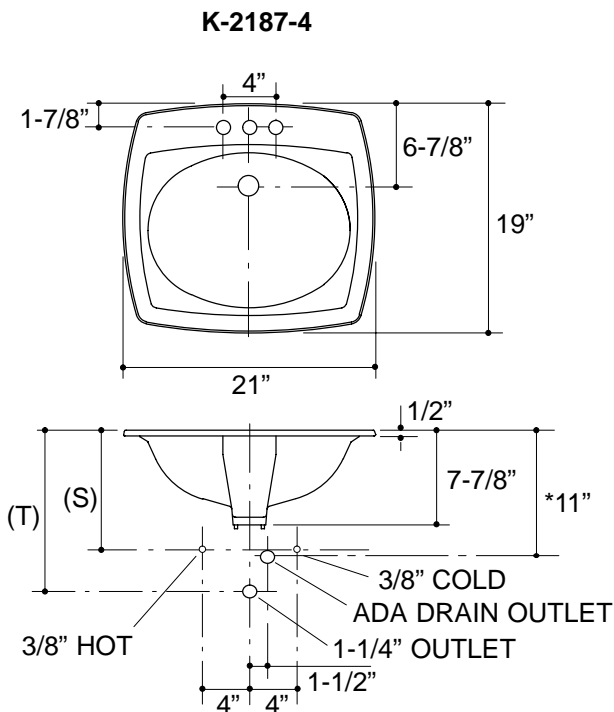
PRODUCT SPECIFICATION:

The self-rimming lavatory shall be 21" in length, and 19" in width. Lavatory shall be made of vitreous china. Lavatory shall have 4" centers (K-2187-4), 8" centers (K-2187-8), or single-hole (K-2187-1) drilling. Lavatory shall have overflow. Lavatory shall be ADA compliant. Lavatory shall include sealant. Lavatory shall be Kohler Model K-2187-_____-_____-_____.

RONDELLE™

PRODUCT INFORMATION

ADA compliant.			
Fixture*:		basin area	water depth
Lavatory		17" x 13"	4-1/4"
Outlet	1-3/4" D.		
* Approximate measurements for comparison only.			
Holes	K-2187-4	K-2187-8	K-2187-1
Spout	1-3/16" D.	1-3/16" D.	1-3/8" D.
Faucet	1-3/16" D.	1-3/8" D.	
Included Components:			
Adhesive sealant			63034
Cutout template			101079



Roughing-In Notes

*Based on K-8998 with 1" of tailpiece exposed.

(T) Pop-up drain 13-1/2", grid drain 12-5/8".

Supply (Based on 12" riser which may require cutting).	K-2187-4, K-2187-1	K-2187-8
--	-----------------------	----------

(S)	10"	14"
-----	-----	-----

PRODUCT DIAGRAM