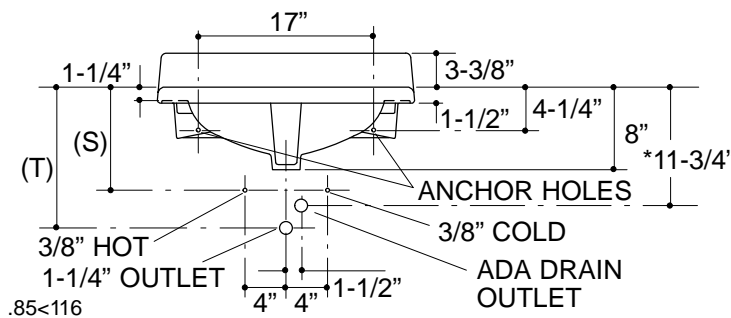
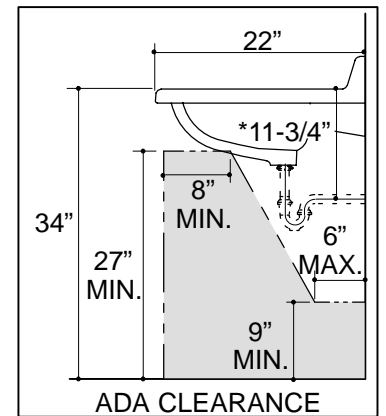
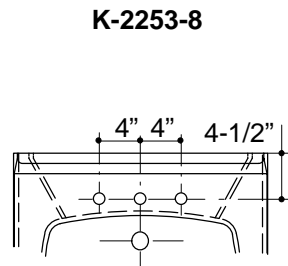
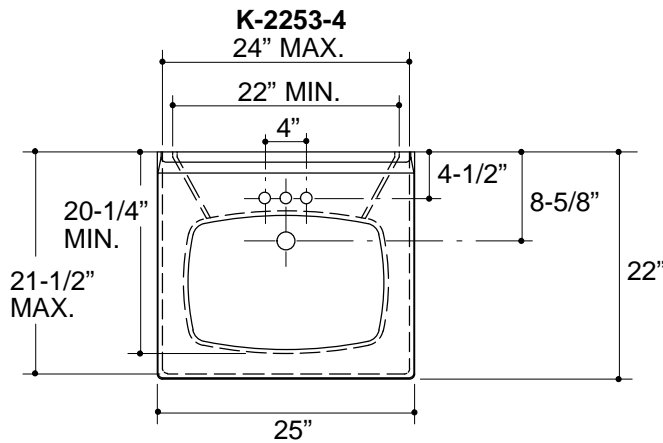


Ordering Information

Applicable lavatory:		
4" centers	K-2253-4	shown
8" centers	K-2253-8	not shown
Accessories/hardware:		
Trap	K-8998	recommended

Product Information

ADA compliant.			
Fixture*:		basin area	water depth
Lavatory		19" x 13"	5"
Outlet	1-3/4" D.		
* Approximate measurements for comparison only.			
Holes	K-2253-8	K-2253-4	
Spout	1-3/16" D.	1-3/16" D.	
Faucet	1-3/8" D.	1-3/16" D.	
Included Components:			
Cork shims (6)			63067
Adhesive sealant			63034



Roughing-In Notes

Fixture dimensions are nominal and conform to tolerances in ASME Standard A112.19.2M.

*Based on K-8998, with 1" tailpiece exposed.

(T) Pop-up drain 13-5/8", grid drain 12-3/4".

(S) 10" (Based on 12" riser which may require cutting).

Cabinet front corner braces, back panels, and/or bracing may have to be modified or relocated on some cabinet models.