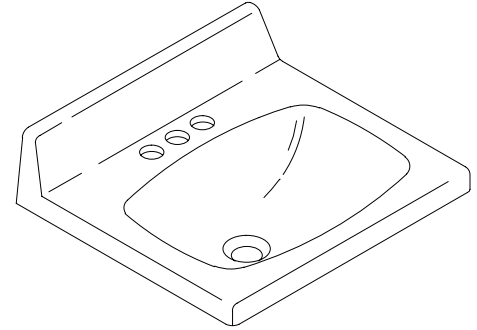


FEATURES

- 25" x 22"
- Vitreous china
- 4" centers (K-2253-4) or 8" centers (K-2253-8)
- With overflow
- Vanity top
- ADA compliant
- With sealant



CODES/STANDARDS APPLICABLE

Specified model meets or exceeds the following:

- ASME/ANSI A112.19.2M
- IAPMO/UPC
- Canadian Standards Association (CSA)
- State of Massachusetts

COLORS/FINISHES

- 0 White
- Other Refer to Fixtures Price Book for additional colors

Accessories:

- CP Polished Chrome
- Other Refer to Faucets Price Book for additional finishes

SPECIFIED MODEL:

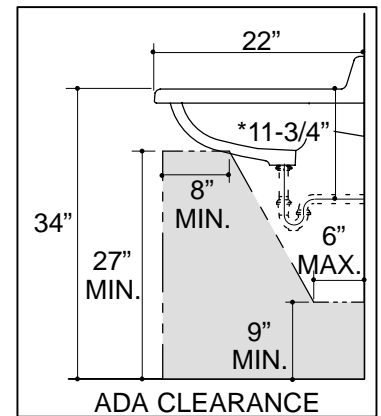
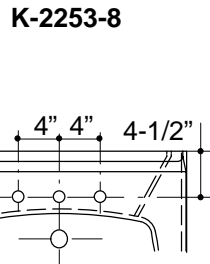
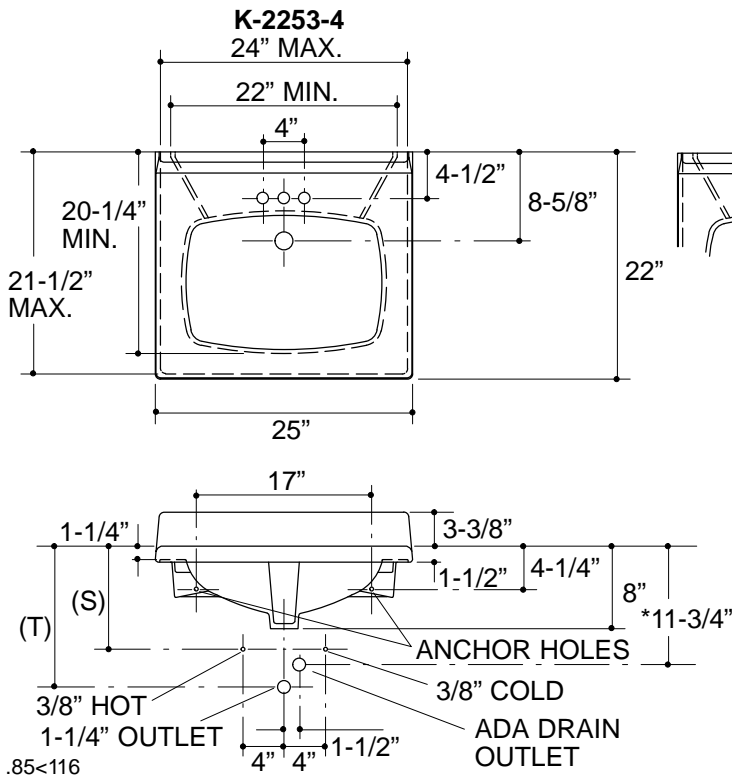
Model	Description	Colors/Finishes	
		<input type="checkbox"/> 0 White	<input type="checkbox"/> Other_____
K-2253-4	4" centers lavatory	<input type="checkbox"/> 0 White	<input type="checkbox"/> Other_____
K-2253-8	8" centers lavatory	<input type="checkbox"/> 0 White	<input type="checkbox"/> Other_____
Optional Accessories			
K-8998	Trap	<input type="checkbox"/> CP	<input type="checkbox"/> Other_____

PRODUCT SPECIFICATION:

The vanity top lavatory shall be 25" in length, and 22" in width. Lavatory shall be made of vitreous china. Lavatory shall be 4" centers (K-2253-4) or 8" centers (K-2253-8). Lavatory shall have overflow. Lavatory shall be ADA compliant. Lavatory shall include sealant. Lavatory shall be Kohler Model K-2253-_____-_____.

PRODUCT INFORMATION

ADA compliant.			
Fixture*:		basin area	water depth
Lavatory		19" x 13"	5"
Outlet	1-3/4" D.		
* Approximate measurements for comparison only.			
Holes	K-2253-8	K-2253-4	
Spout	1-3/16" D.	1-3/16" D.	
Faucet	1-3/8" D.	1-3/16" D.	
Included Components:			
Cork shims (6)			63067
Adhesive sealant			63034



Roughing-In Notes

Fixture dimensions are nominal and conform to tolerances in ASME Standard A112.19.2M.

*Based on K-8998, with 1" tailpiece exposed.

(T) Pop-up drain 13-5/8", grid drain 12-3/4".

(S) 10" (Based on 12" riser which may require cutting).

Cabinet front corner braces, back panels, and/or bracing may have to be modified or relocated on some cabinet models.

PRODUCT DIAGRAM