

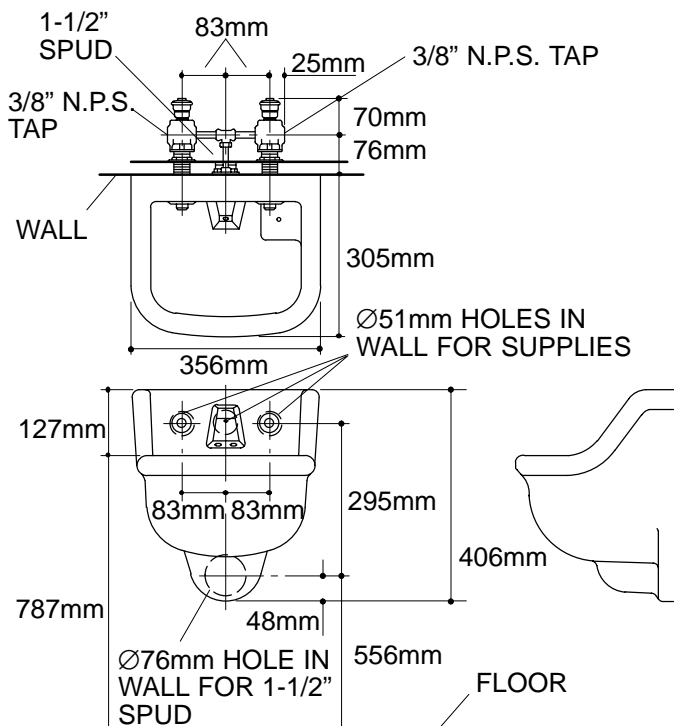
Ordering Information

Accessories/hardware:		
Supply fitting	K-7482	required*
*Required for configuration illustrated.		

Product Information

Fixture*:		basin area	water depth
Lavatory		279 x 229mm	143mm
Outlet (without spud)	Ø57mm		
Faucet holes	Ø38mm		
Spout hole (without spud)	Ø29mm		
* Approximate measurements for comparison only.			

Included Components:	
1-1/2" outlet spud	18357
Inlet spud	31686



1.1>116

Roughing-In Notes

Fixture dimensions are nominal and conform to tolerances in ASME Standard A112.19.2M.

Outlet spud for slipping in 1-1/2" O.D. tubing, also with 1-1/2" N.P.S. straight outside thread.

Supply fitting regularly furnished for wall not to exceed 25mm thick. For thicker wall add 25mm to supply measurement (76mm) for every inch or fraction of additional wall thickness.

Required accessories/hardware are shown.