

## Ordering Information

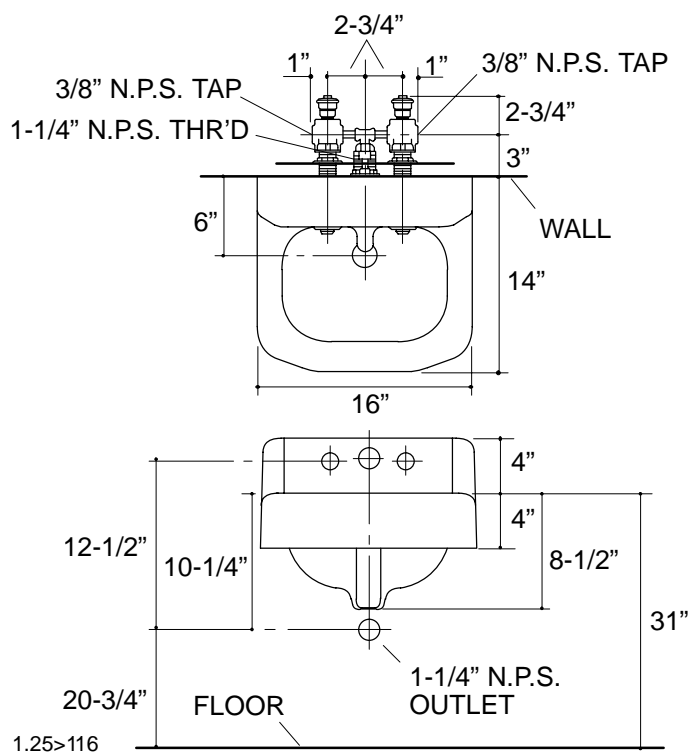
Accessories/hardware:		
Supply faucet	K-7485	required*
*Required for configuration illustrated.		

## Product Information

Fixture*:		basin area	water depth
Lavatory		12" x 9"	5"
Outlet	1-11/16" D.		
* Approximate measurements for comparison only.			

Holes	<b>K-2485</b>		
Spout	1-1/2" D.		
Faucet	1-3/16" D.		

Included Components:			
Overflow ferrule (1)			44071



## Roughing-In Notes

Fixture dimensions are nominal and conform to tolerances in ASME/ANSI Standard A112.19.1M.

Supply fitting regularly furnished for wall not to exceed 1" thick. For thicker wall add 1" to supply measurement for every inch or fraction of additional wall thickness.

Stop valves should be provided in supply lines.

Required accessories/hardware are shown.